



US00D363916S

**United States Patent** [19]

[11] **Patent Number: Des. 363,916**

**Johnson**

[45] **Date of Patent: \*\*Nov. 7, 1995**

[54] **HOUSING FOR COMMUNICATIONS  
EQUIPMENT FOR A VEHICLE**

[76] Inventor: **Frederick M. Johnson**, 181 Farm St.,  
Millis, Mass. 02054

[\*\*] Term: **14 Years**

[21] Appl. No.: **10,250**

[22] Filed: **Jul. 2, 1993**

[52] U.S. Cl. .... **D12/415; D14/137**

[58] **Field of Search** ..... D14/137, 124,  
D14/217, 299; D12/400, 415; 211/71; 224/42.42;  
296/37.8; 312/7.1, 242

[56] **References Cited**

**U.S. PATENT DOCUMENTS**

D. 213,447	3/1969	Small	.....	D12/415 X
D. 222,357	10/1971	Lochar	.....	D14/124
4,436,635	3/1984	Kitrall	.....	312/7.1

**OTHER PUBLICATIONS**

Popular Electronics, Oct. 1976, p. 25, Casing for Commu-  
nications Equipment.

*Primary Examiner*—Terry A. Wallace

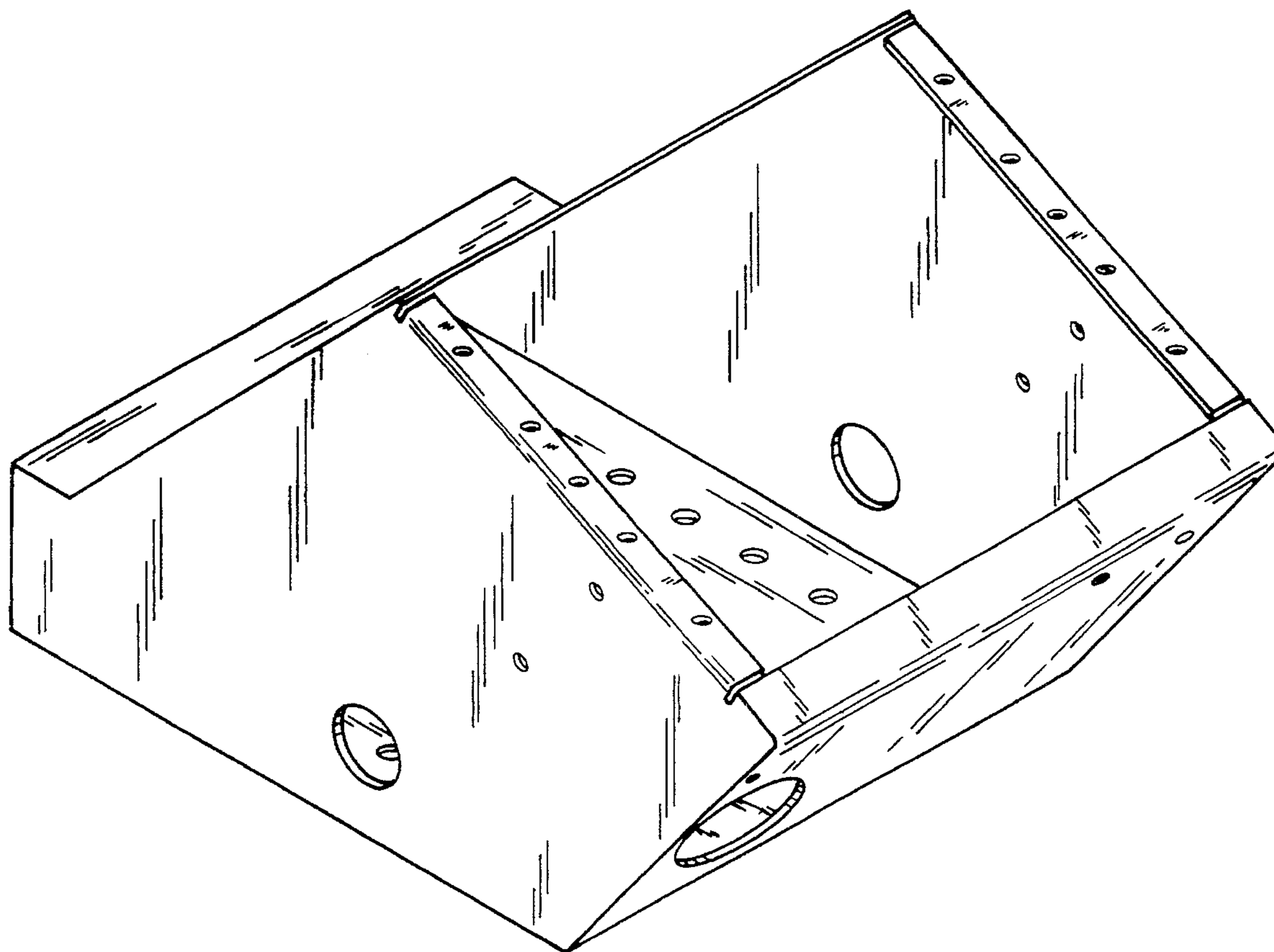
[57] **CLAIM**

The ornamental design for a housing for communications  
equipment for a vehicle, as shown.

**DESCRIPTION**

FIG. 1 is a perspective view of a housing for communica-  
tions equipment for a vehicle showing my new design;  
FIG. 2 is a right elevational view thereof;  
FIG. 3 is a left elevational view thereof;  
FIG. 4 is a front view thereof;  
FIG. 5 is a rear view thereof;  
FIG. 6 is a top plan view thereof; and,  
FIG. 7 is a bottom plan view thereof.

**1 Claim, 4 Drawing Sheets**



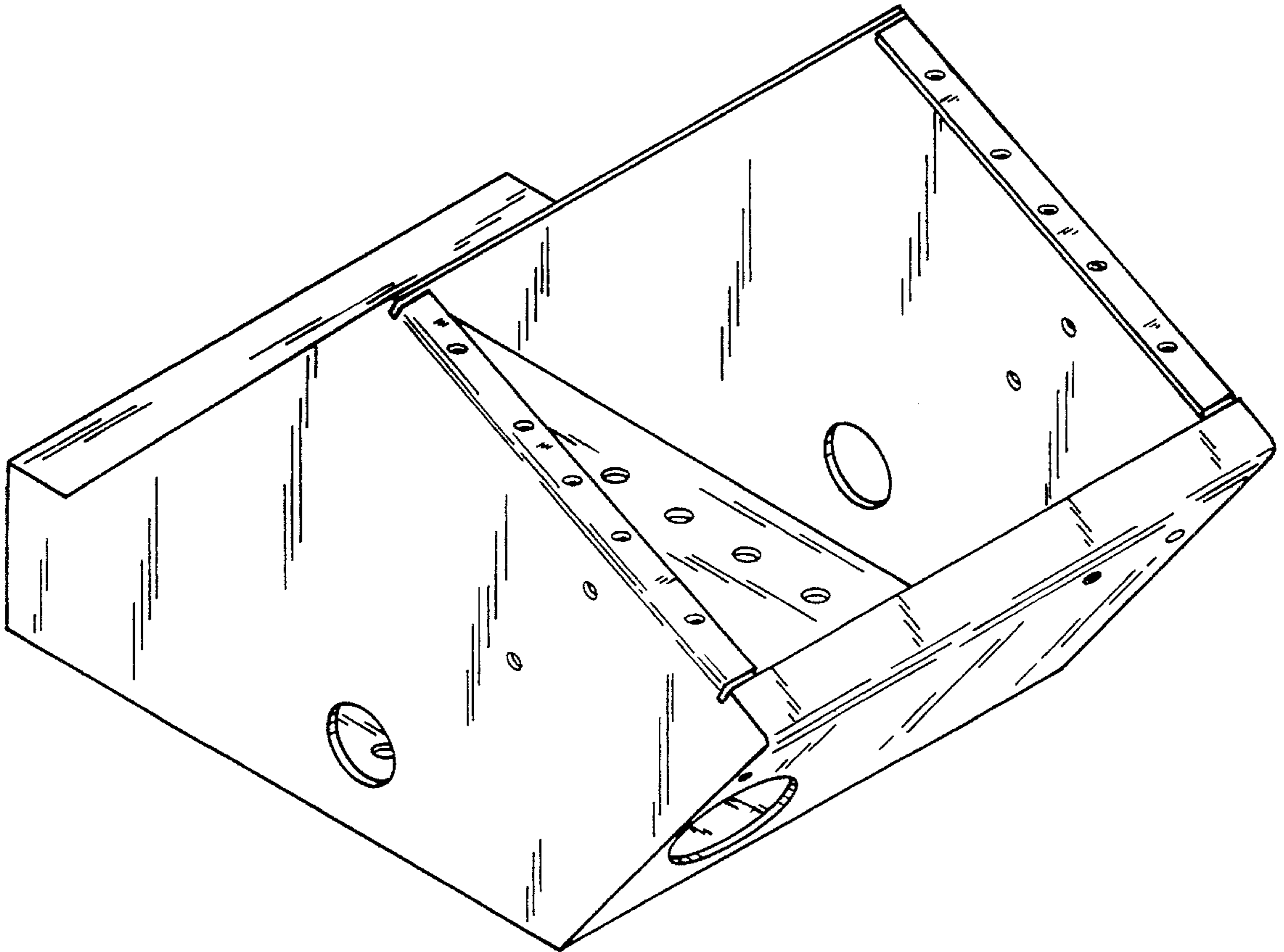


FIG. 1

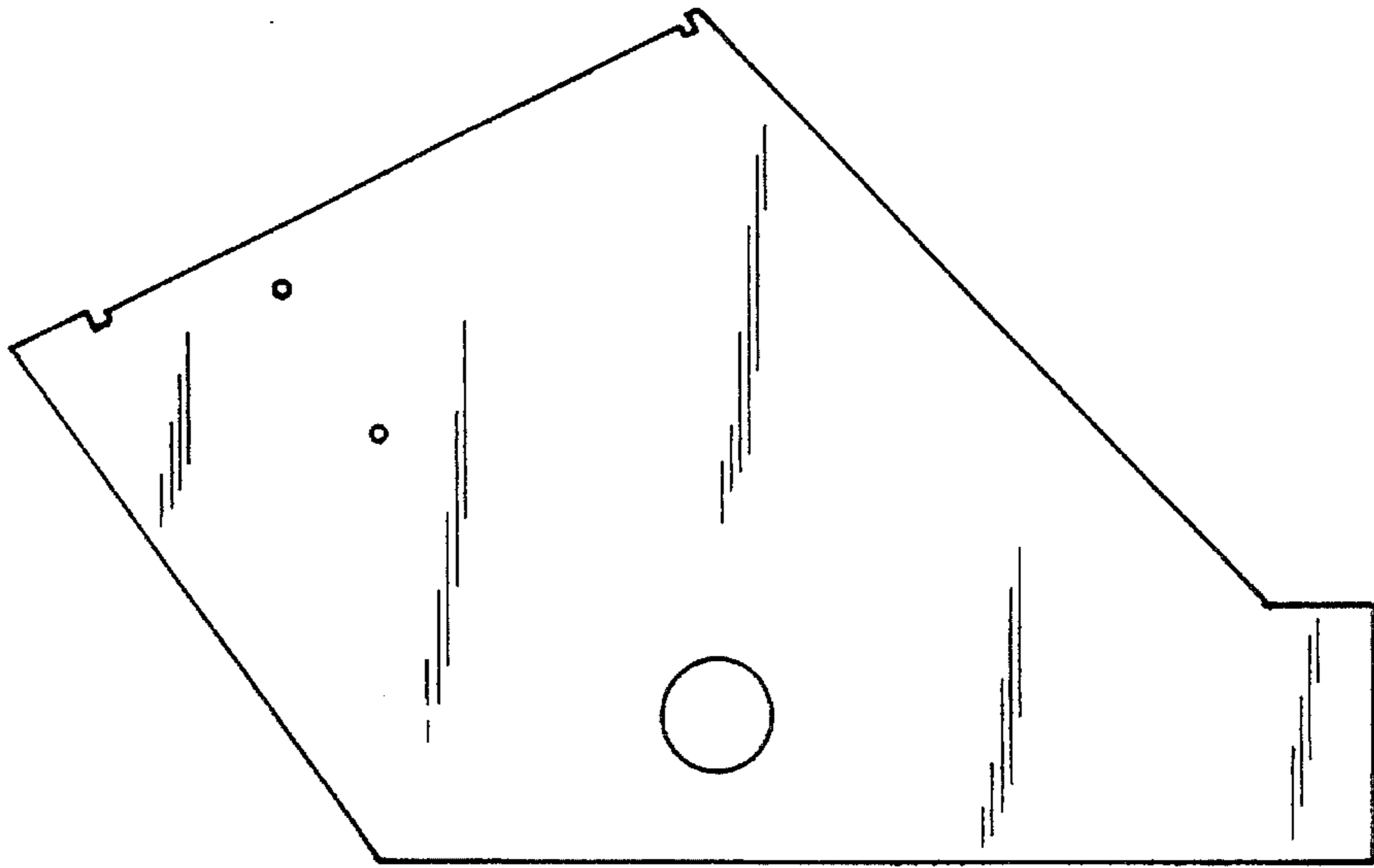


FIG. 2

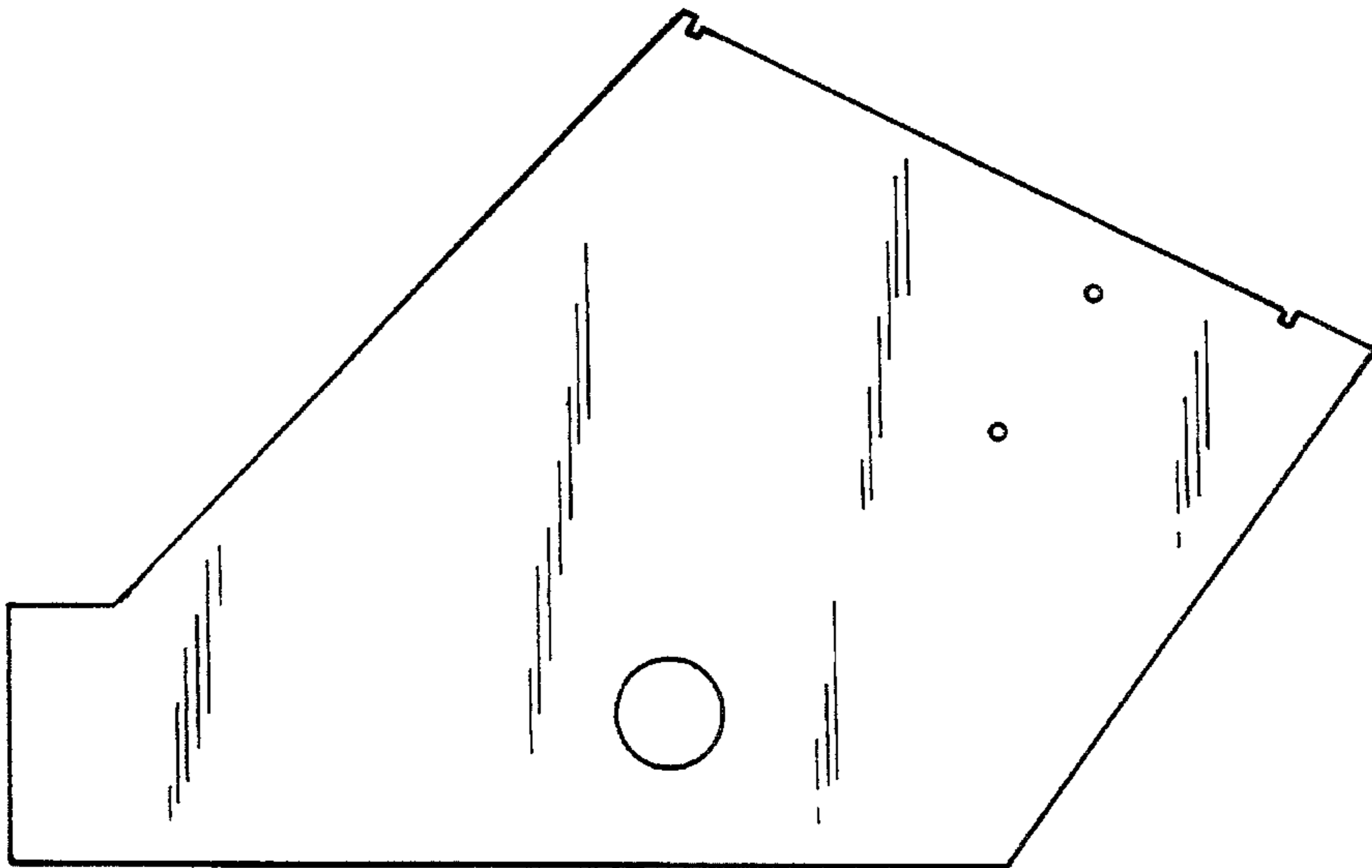


FIG. 3

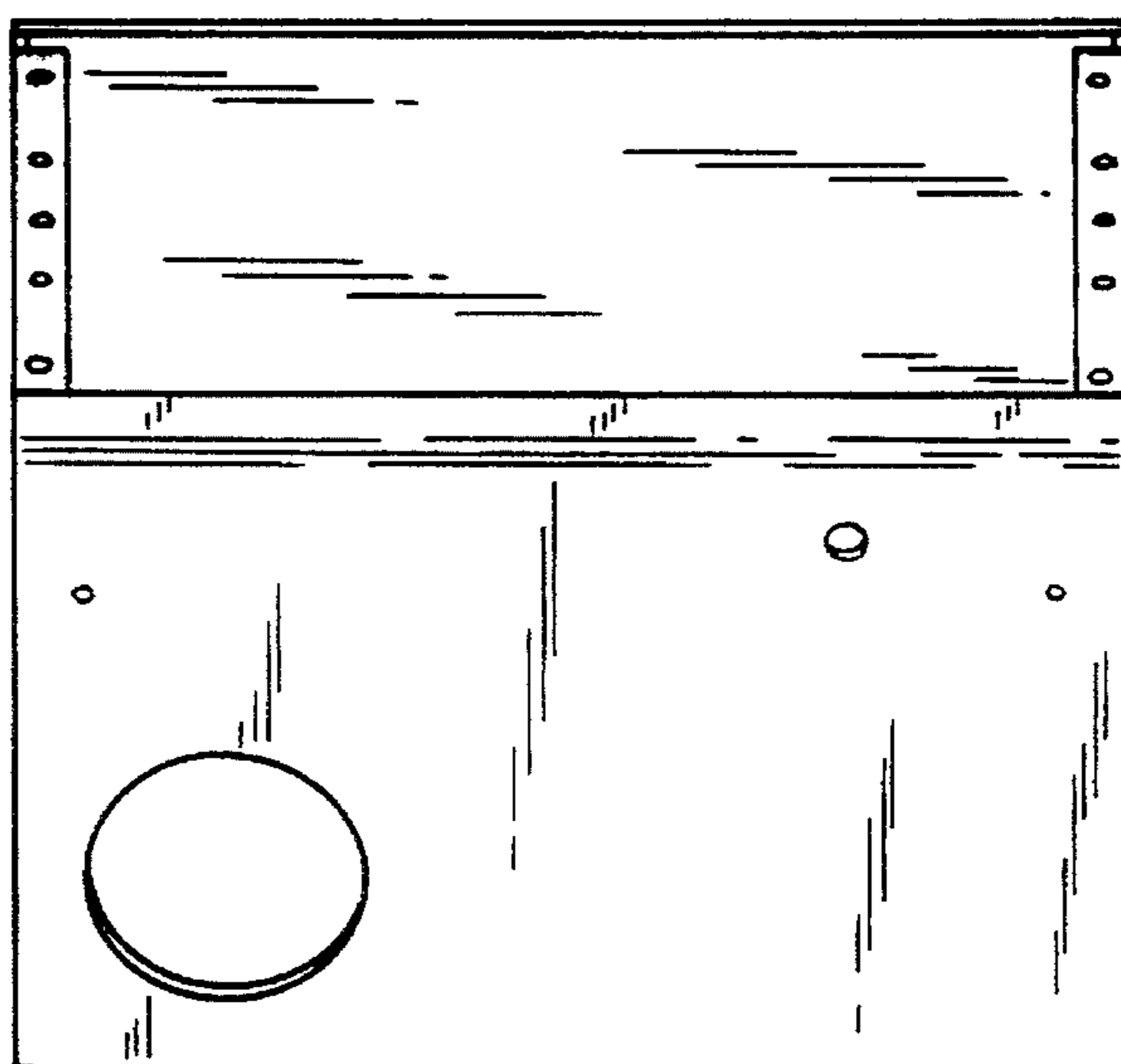


FIG. 4

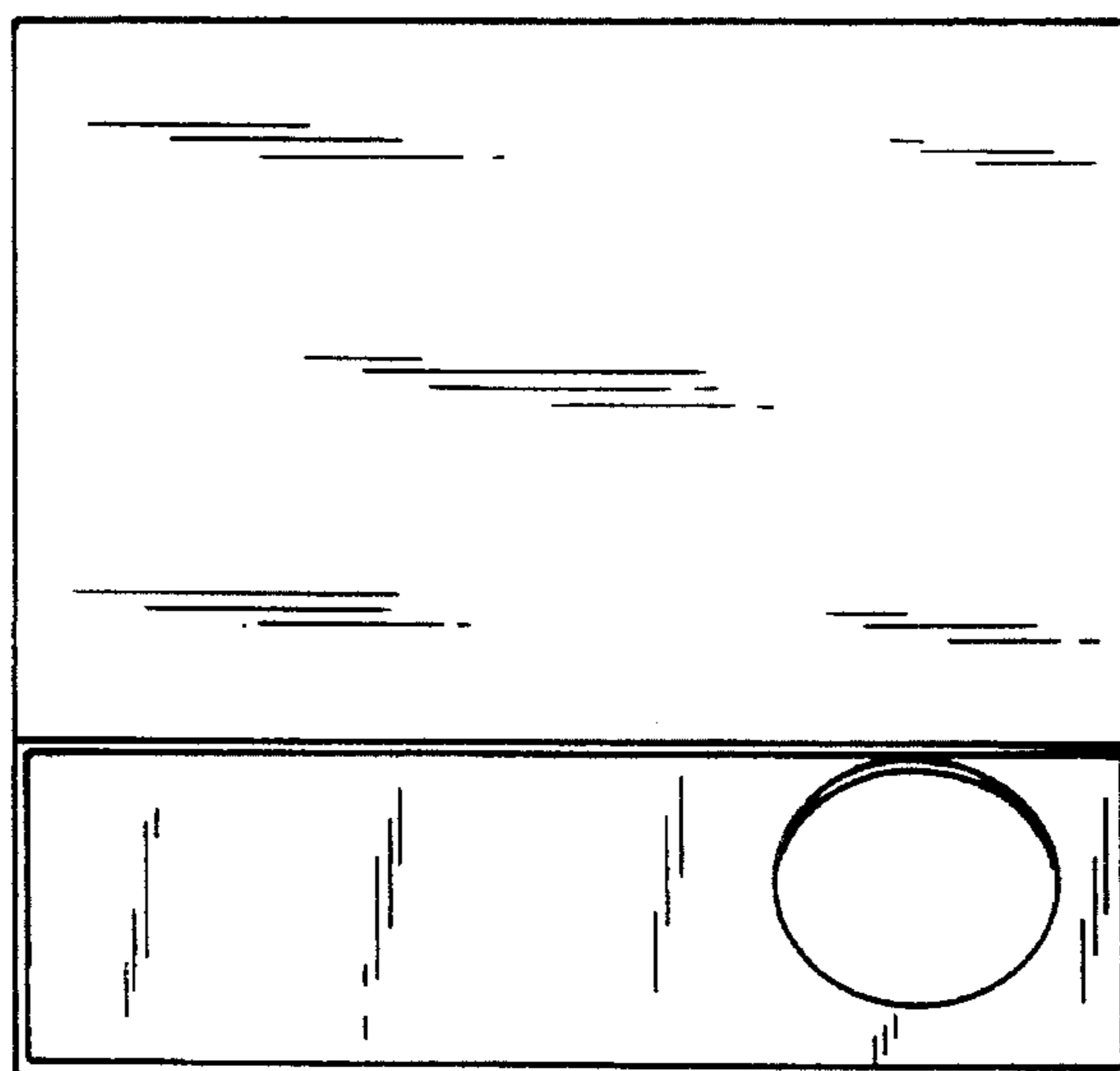


FIG. 5

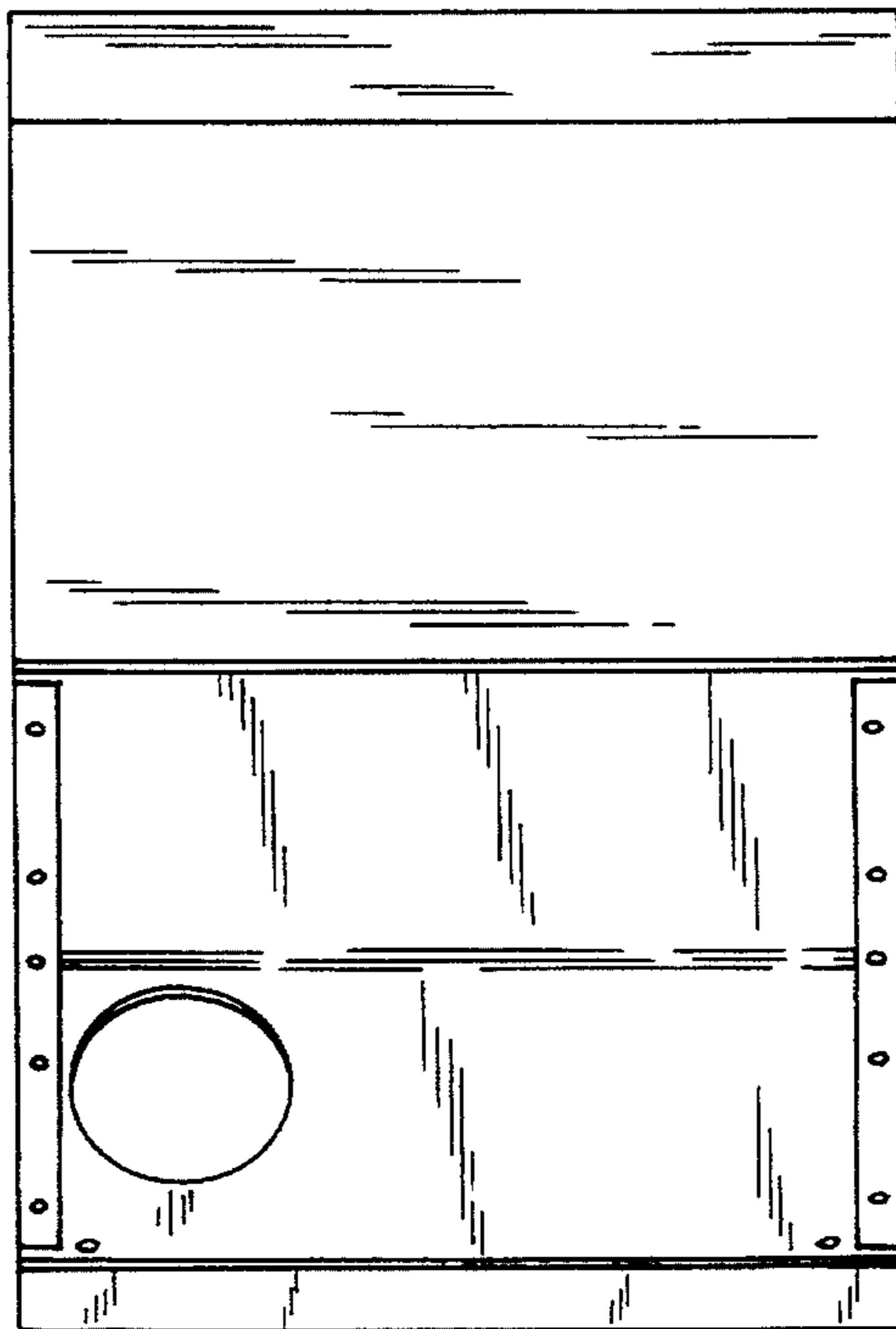


FIG. 6

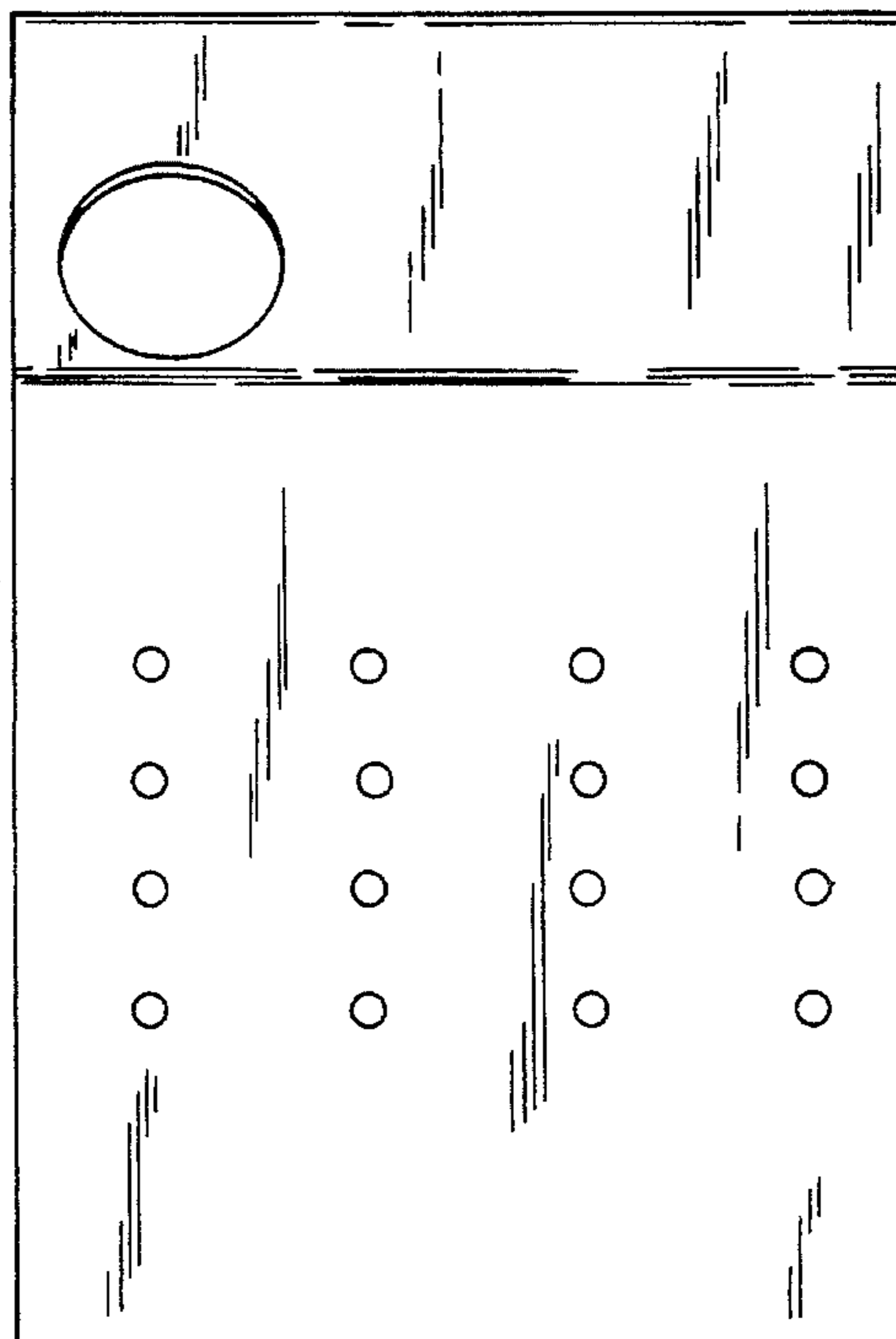


FIG. 7