



US00D363911S

United States Patent [19] Chung

[11] Patent Number: **Des. 363,911**

[45] Date of Patent: ****Nov. 7, 1995**

[54] **VEHICLE WHEEL FRONT FACE**

[75] Inventor: **Suny Chung**, Placentia, Calif.

[73] Assignee: **American Racing Equipment, Inc.**,
Rancho Dominguez, Calif.

[**] Term: **14 Years**

[21] Appl. No.: **24,873**

[22] Filed: **Jun. 22, 1994**

[52] U.S. Cl. **D12/209**

[58] Field of Search D12/209, 205,
D12/211, 213; 301/39.1, 64.1, 65, 64.4

D. 334,730 4/1993 Chung D12/209
 D. 339,316 9/1993 Chung D12/209
 D. 339,317 9/1993 Chung D12/209

OTHER PUBLICATIONS

1989 Tread Design Guide, p. 86, Enkei Wheels.
 1989 Tread Design Guide, p. 87, Et Wheels.
 Custom Wheel and Tire Style Guide 1993 p. 55 (Sierra).

Primary Examiner—A. Hugo Word
Assistant Examiner—Marcus Jackson
Attorney, Agent, or Firm—Thompson, Hine and Flory

[57] CLAIM

The ornamental design for a vehicle wheel front face, as shown and described.

[56] References Cited

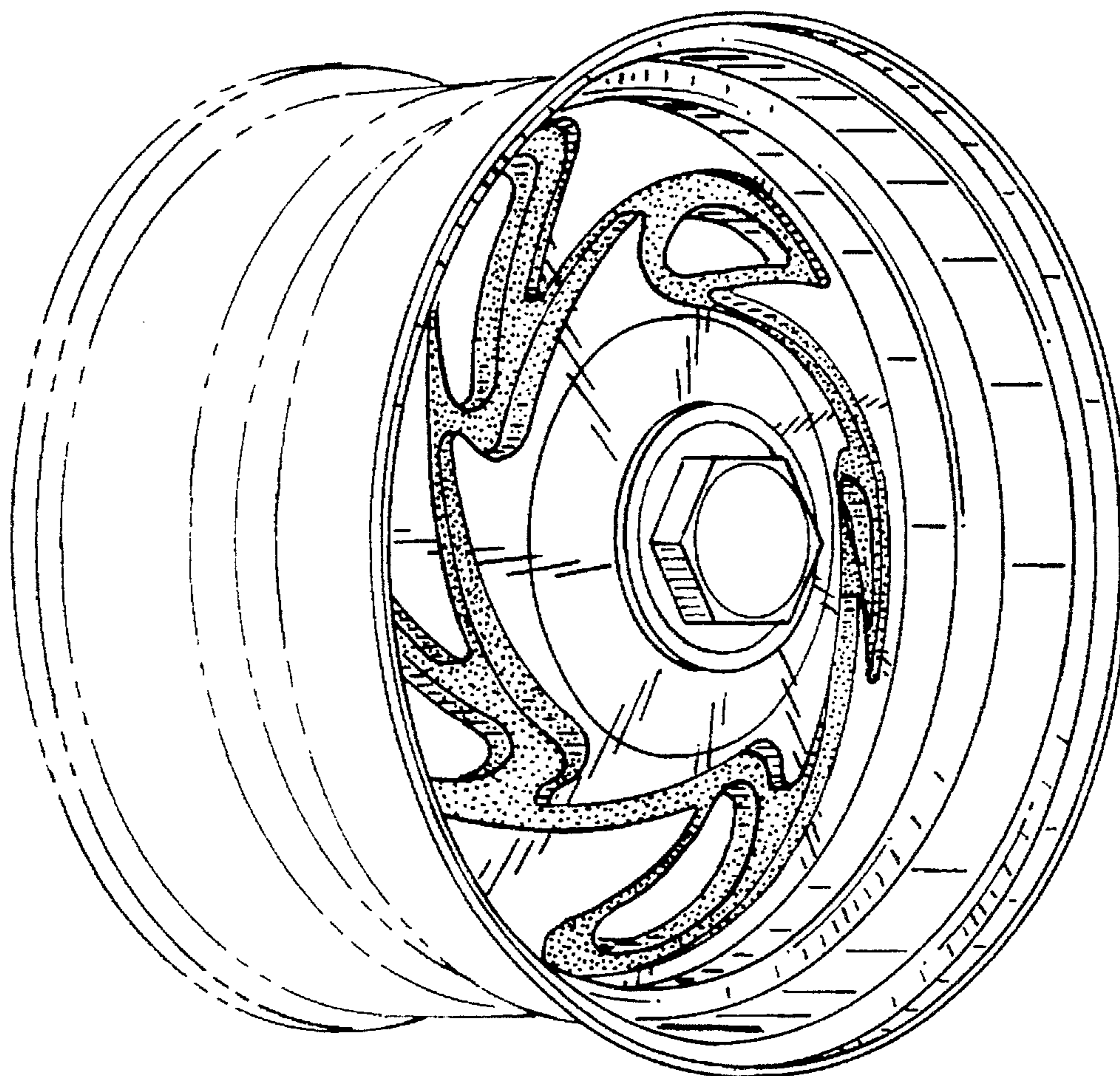
U.S. PATENT DOCUMENTS

D. 176,544 1/1956 Lyon D14/30
 D. 232,432 8/1974 Clary D12/209
 D. 248,295 6/1978 Day et al. D12/206
 D. 272,431 1/1984 Hedlund D12/211
 D. 292,568 11/1987 Cafaro et al. D12/209
 D. 292,691 11/1987 Envall D12/206
 D. 292,693 11/1987 Cattaneo D12/211
 D. 300,422 3/1989 Schinella D12/209
 D. 325,189 4/1992 Kapitza D12/209

DESCRIPTION

FIG. 1 is a front perspective view of my new vehicle wheel front face; and,
 FIG. 2 is a front elevational view thereof.
 The broken lines shown in FIG. 1 of the drawings are for illustrative purposes only and the subject matter depicted thereby constitutes no part of the claimed design.

1 Claim, 1 Drawing Sheet



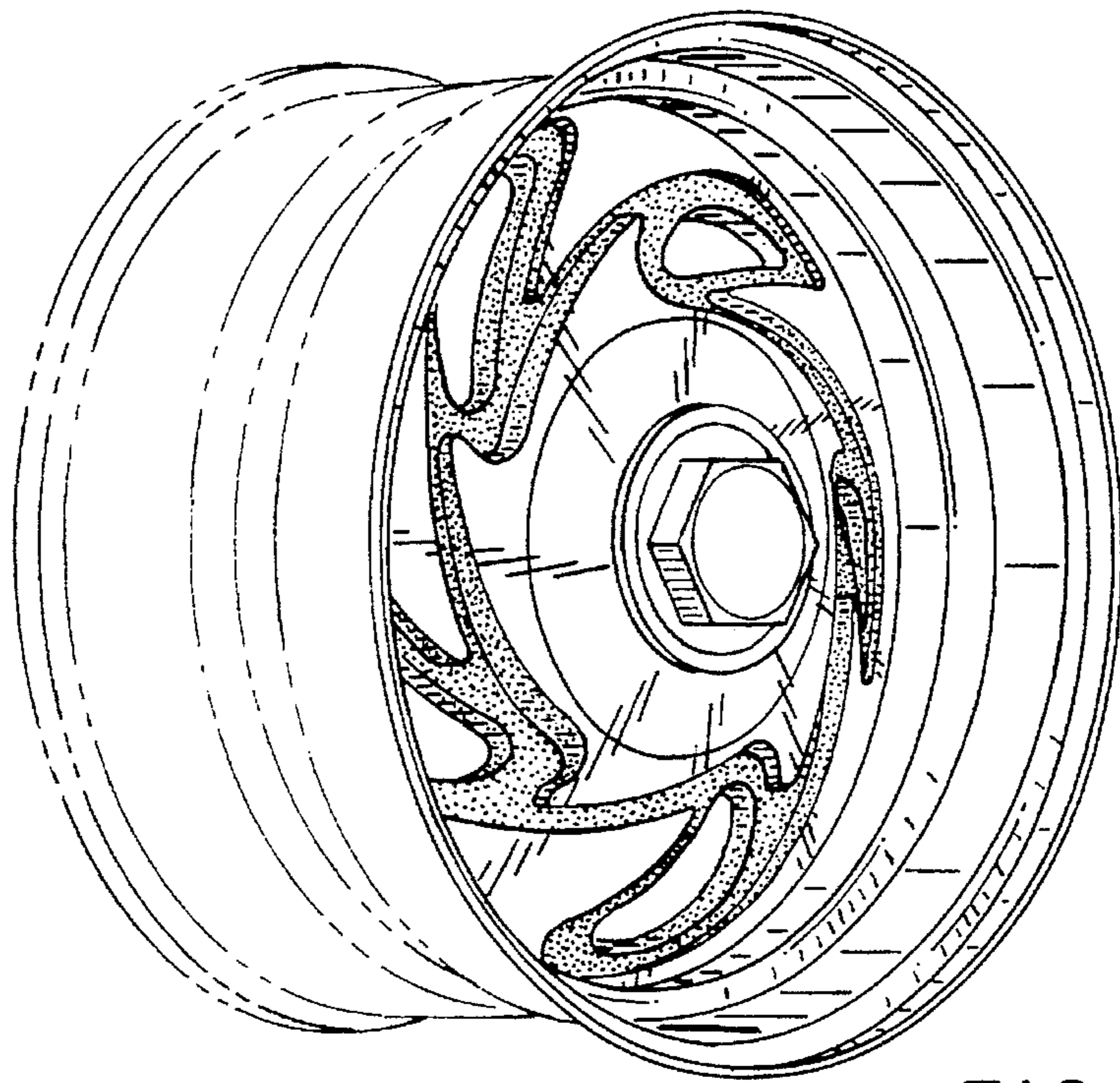


FIG. 1

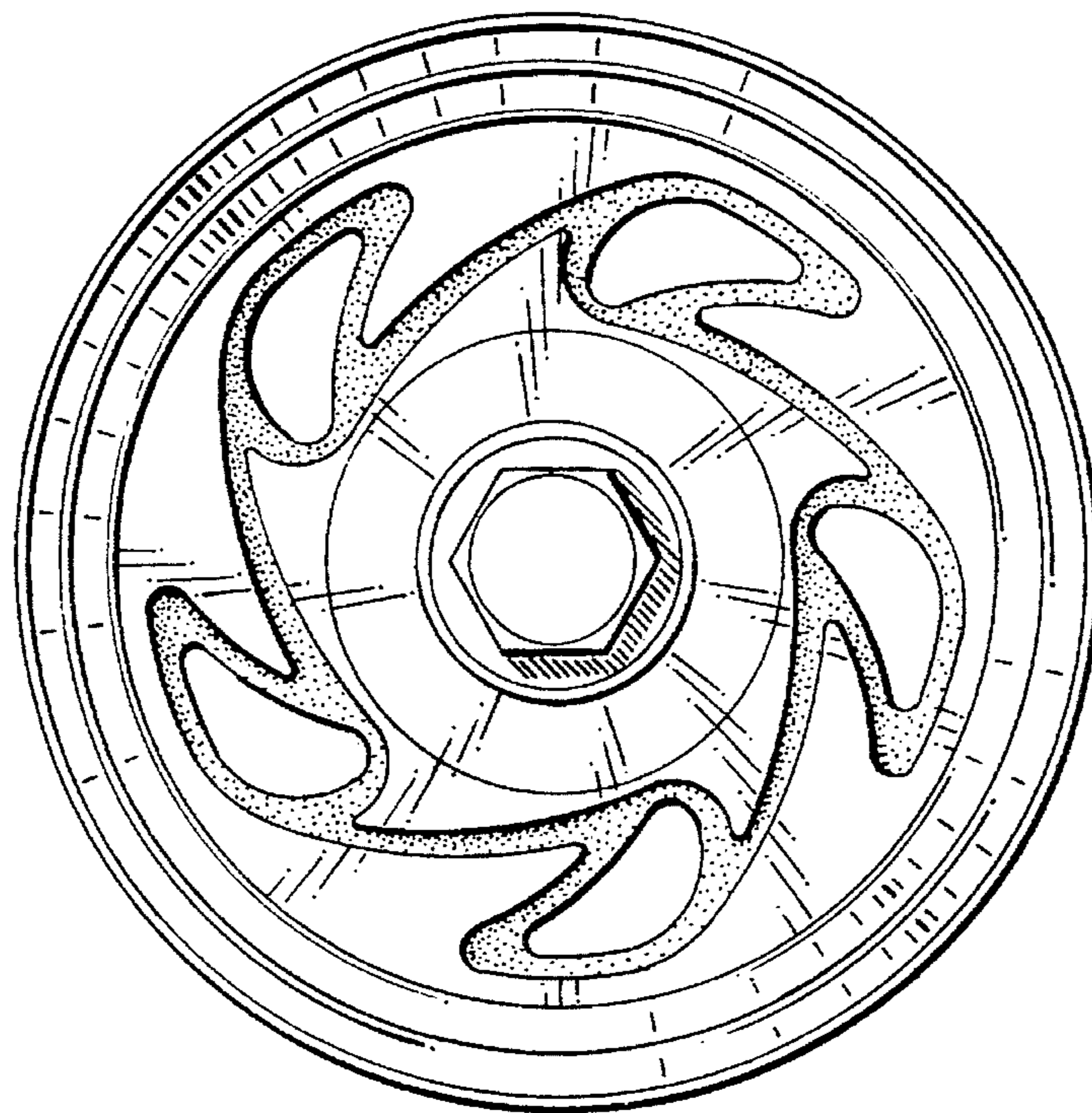


FIG. 2