



US00D363910S

United States Patent [19] Chung

[11] Patent Number: **Des. 363,910**

[45] Date of Patent: ****Nov. 7, 1995**

[54] **VEHICLE WHEEL FRONT FACE**

D. 339,316 9/1993 Chung D12/209

D. 339,317 9/1993 Chung D12/209

D. 339,561 9/1993 Maiworm et al. D12/211

[75] Inventor: **Suny Chung**, Placentia, Calif.

[73] Assignee: **American Racing Equipment, Inc.**,
Rancho Dominguez, Calif.

OTHER PUBLICATIONS

1989 Tread Design Guide, p. 86, Enkei Wheels.

1989 Tread Design Guide, p. 87, Et Wheels.

Custom Wheel and Tire Style Guide p. 31 1993 (Type V3
Hiro V3).

[**] Term: **14 Years**

[21] Appl. No.: **24,868**

Primary Examiner—A. Hugo Word

Assistant Examiner—Marcus Jackson

Attorney, Agent, or Firm—Thompson, Hine and Flory

[22] Filed: **Jun. 21, 1994**

[52] U.S. Cl. **D12/209**

[58] Field of Search D12/205, 209,
D12/211, 213; 301/39.1, 64.1, 64.4, 65

[57] CLAIM

The ornamental design for a vehicle wheel front face, as
shown and described.

[56] References Cited

U.S. PATENT DOCUMENTS

D. 176,544	1/1956	Lyon	D14/30
D. 232,432	8/1974	Clary	D12/209
D. 248,295	6/1978	Day et al.	D12/206
D. 272,431	1/1984	Hedlund	D12/211
D. 292,568	11/1987	Cafaro et al.	D12/209
D. 292,691	11/1987	Envall	D12/206
D. 292,693	11/1987	Cattaneo	D12/211
D. 300,422	3/1989	Schinella	D12/209
D. 329,416	9/1992	Braungast et al.	D12/209
D. 334,730	4/1993	Chung	D12/209

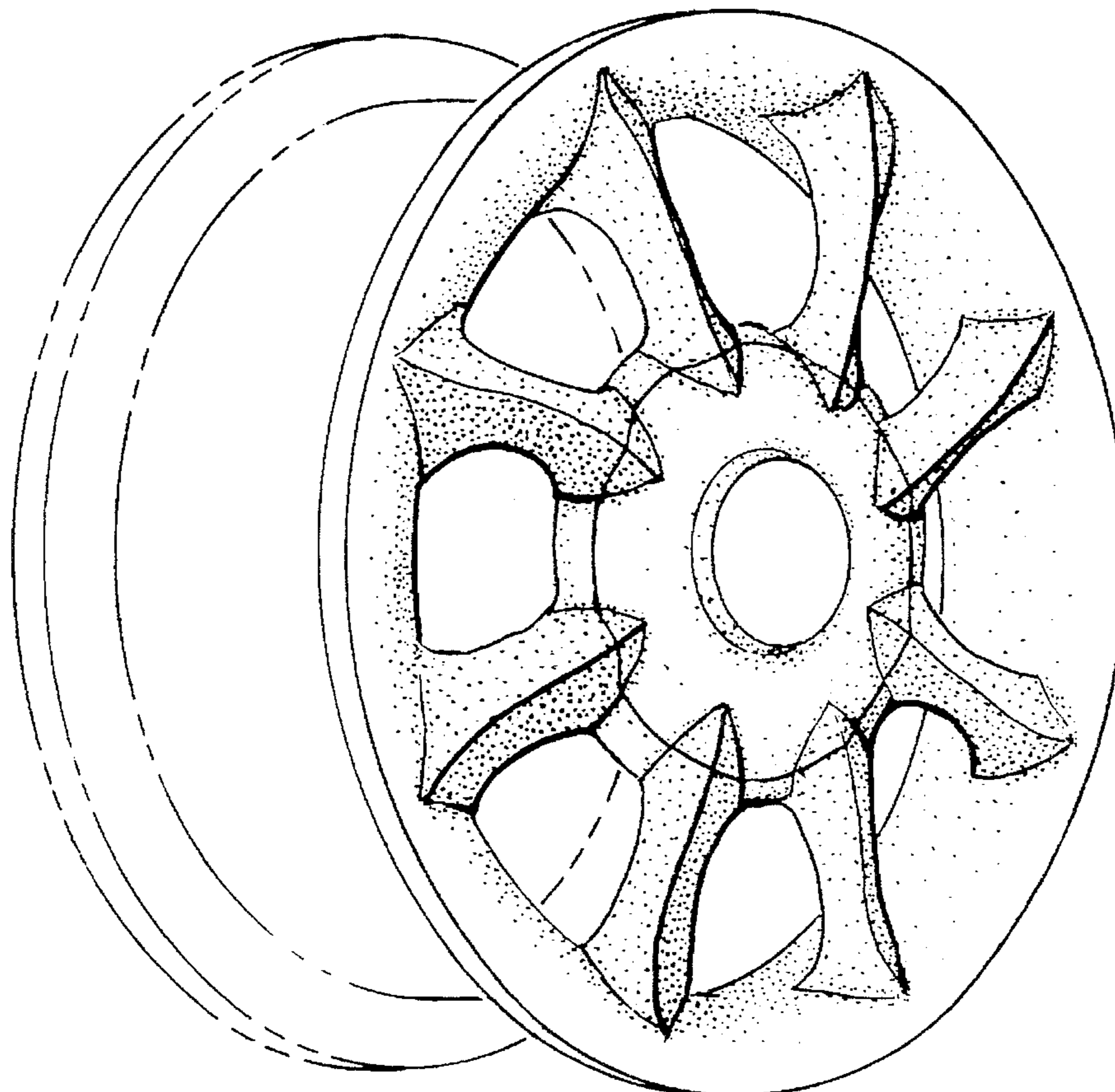
DESCRIPTION

FIG. 1 is a front perspective view of my new vehicle wheel
front face; and,

FIG. 2 is a front elevational view thereof.

The broken lines shown in FIG. 1 of the drawings are for
illustrative purposes only and the subject matter depicted
thereby constitutes no part of the claimed design.

1 Claim, 1 Drawing Sheet



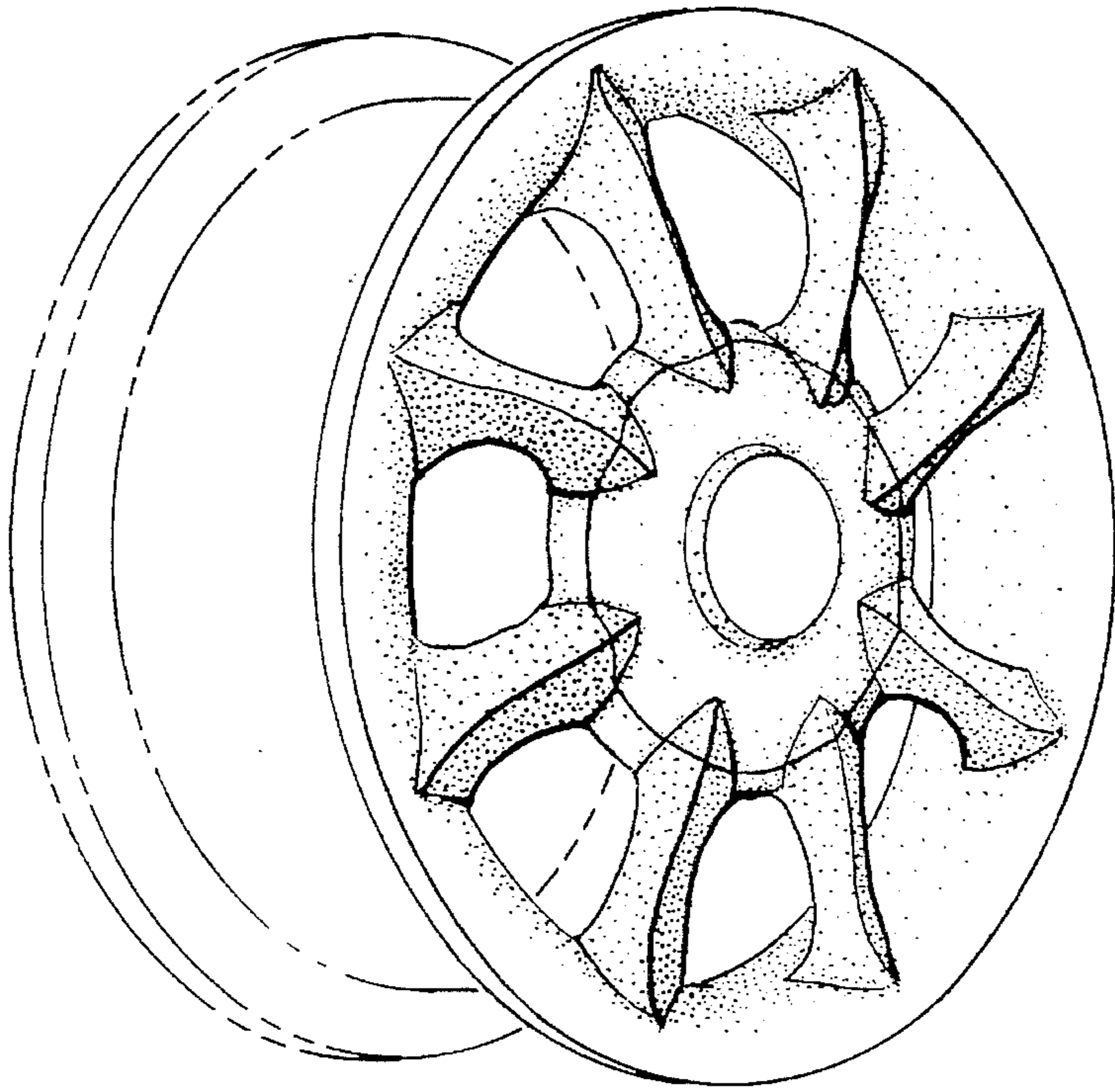


FIG. 1

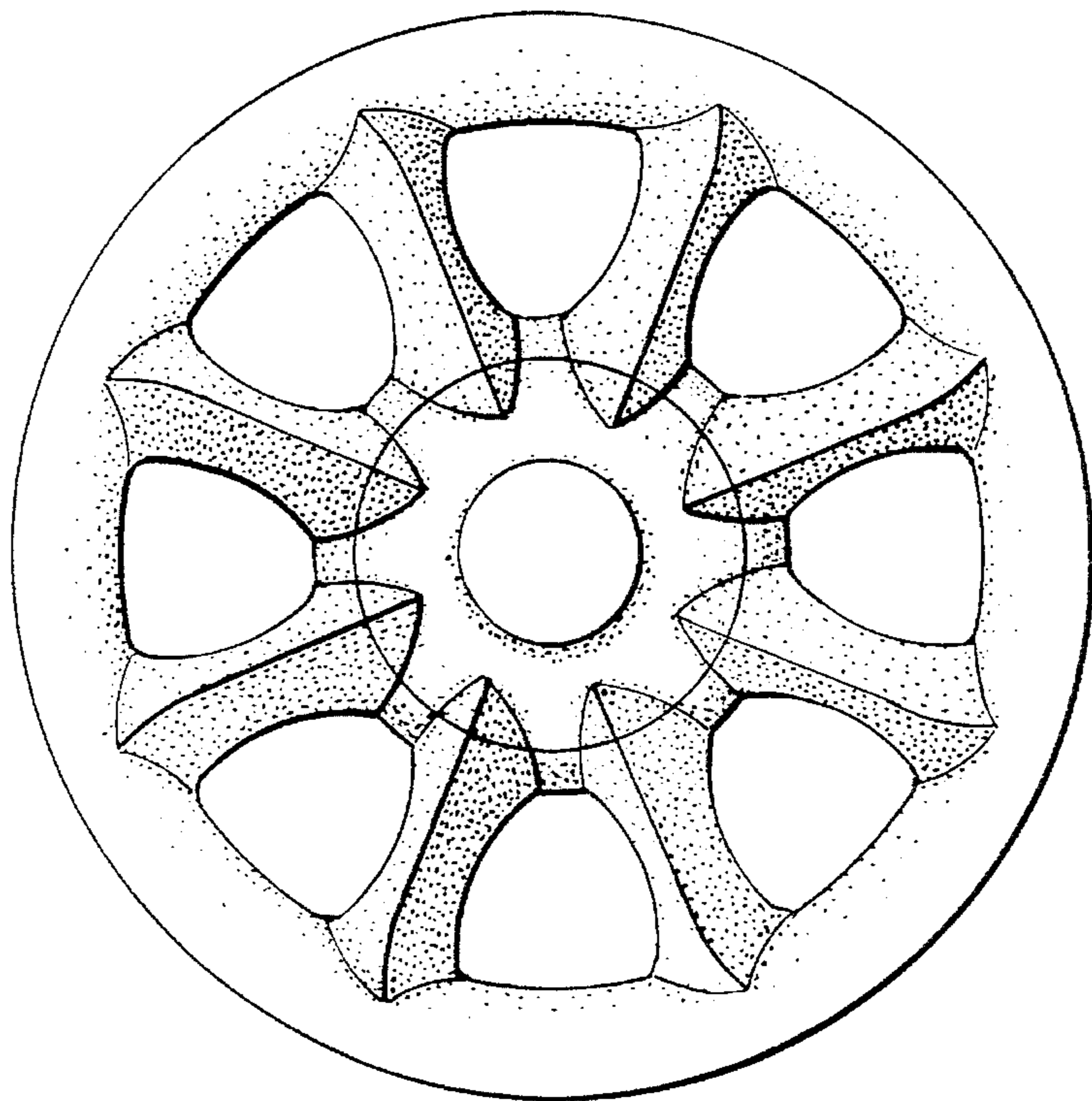


FIG. 2