



US00D363909S

United States Patent [19]
Carnett

[11] **Patent Number:** **Des. 363,909**

[45] **Date of Patent:** ****Nov. 7, 1995**

[54] **MAGNETIC GAS CAP**

[76] Inventor: **Jessie Carnett**, 26 Dogwood Dr.,
Rhodhiss, N.C. 28667

[**] Term: **14 Years**

[21] Appl. No.: **19,853**

[22] Filed: **Mar. 14, 1994**

[52] U.S. Cl. **D12/197**

[58] **Field of Search** D12/197; D9/453,
D9/435, 451; 220/86.1, 86.2, 86.3, DIG. 32,
DIG. 33, 254, 293, 744; 248/206.5, 309.4

[56] **References Cited**

U.S. PATENT DOCUMENTS

- D. 338,650 8/1993 Buyan D12/197
- D. 342,924 1/1994 Hogy D12/197

Primary Examiner—A. Hugo Word
Assistant Examiner—M. Brown
Attorney, Agent, or Firm—Terry M. Gernstein

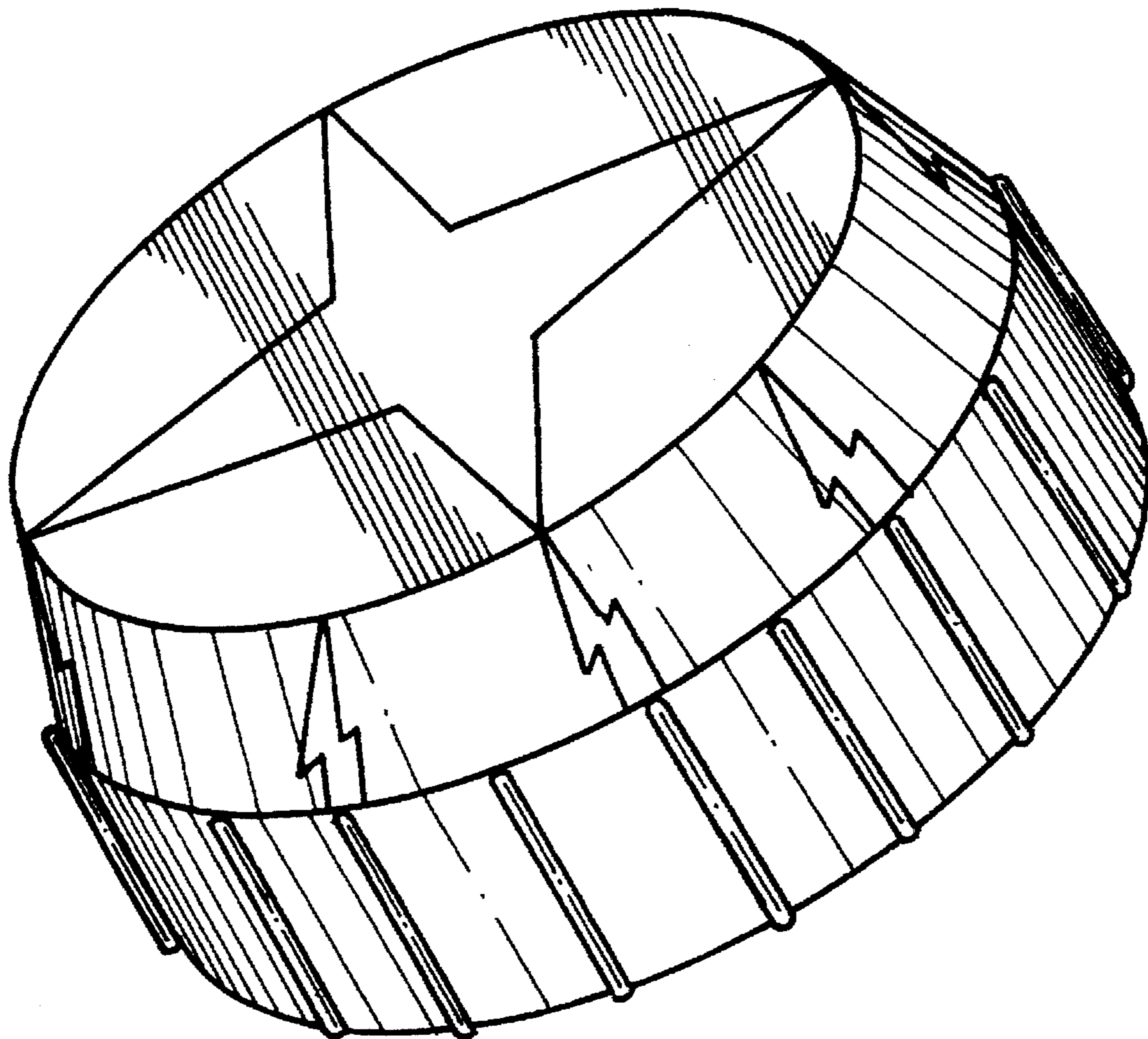
[57] **CLAIM**

The ornamental design for a magnetic gas cap, as shown and described.

DESCRIPTION

FIG. 1 is a front, top and side perspective view of the magnetic gas cap showing my new design;
FIG. 2 is a side elevational view thereof, it being understood that all other sides are mirror images of that shown;
FIG. 3 is a top plan view thereof;
FIG. 4 is a bottom plan view thereof; and,
FIG. 5 is a bottom perspective view thereof.

1 Claim, 3 Drawing Sheets



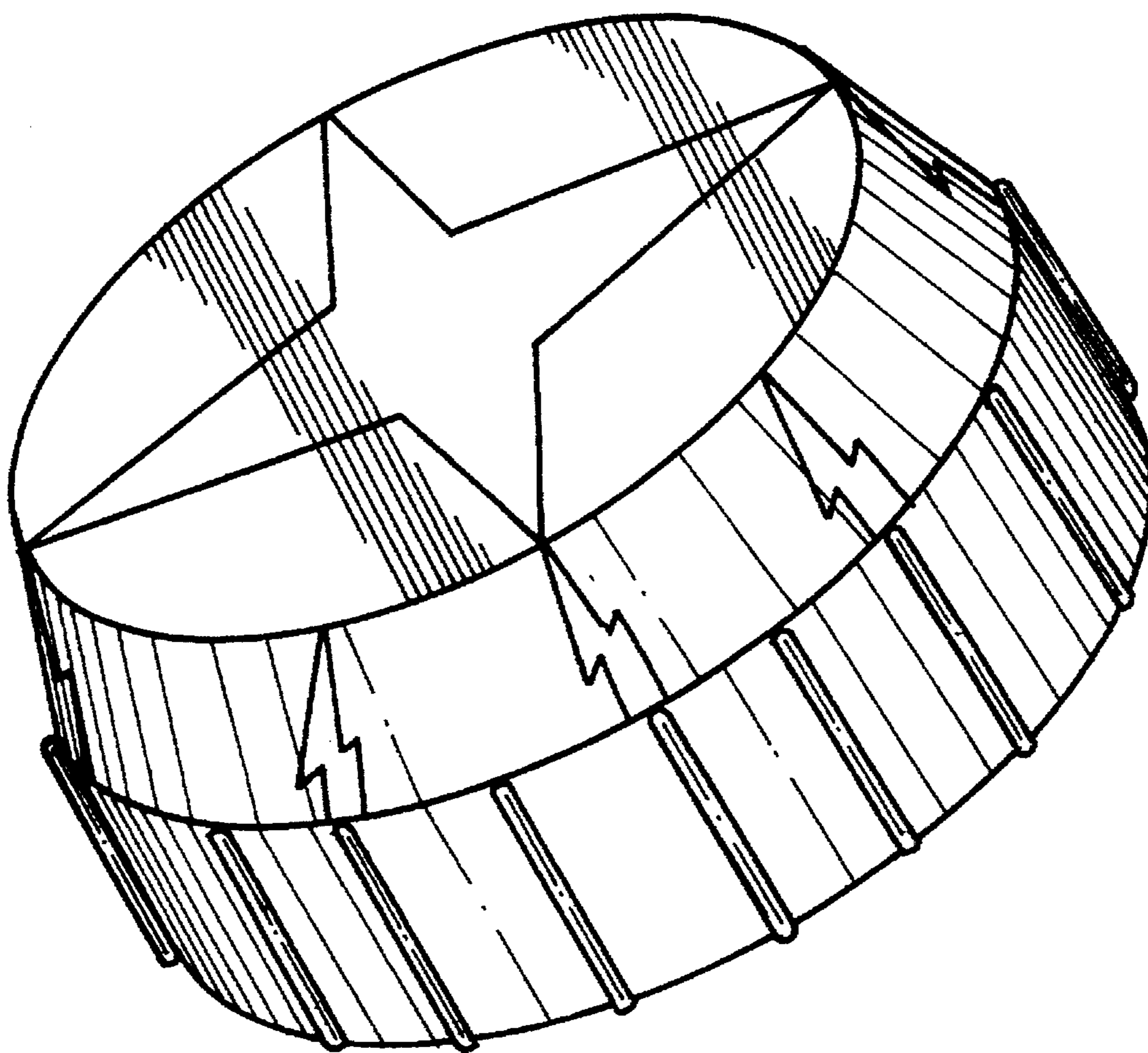


FIG. 1.

FIG. 3.

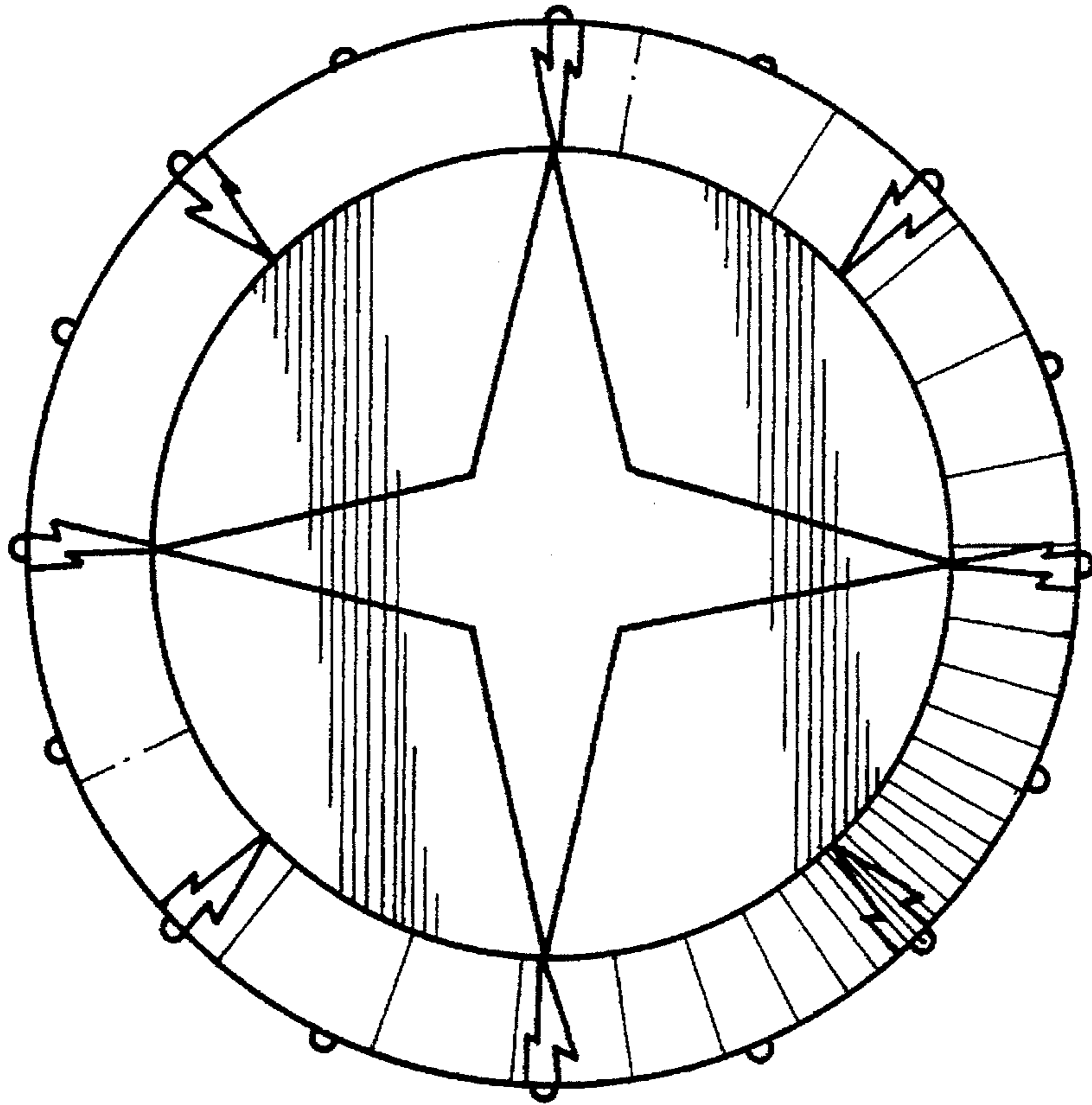
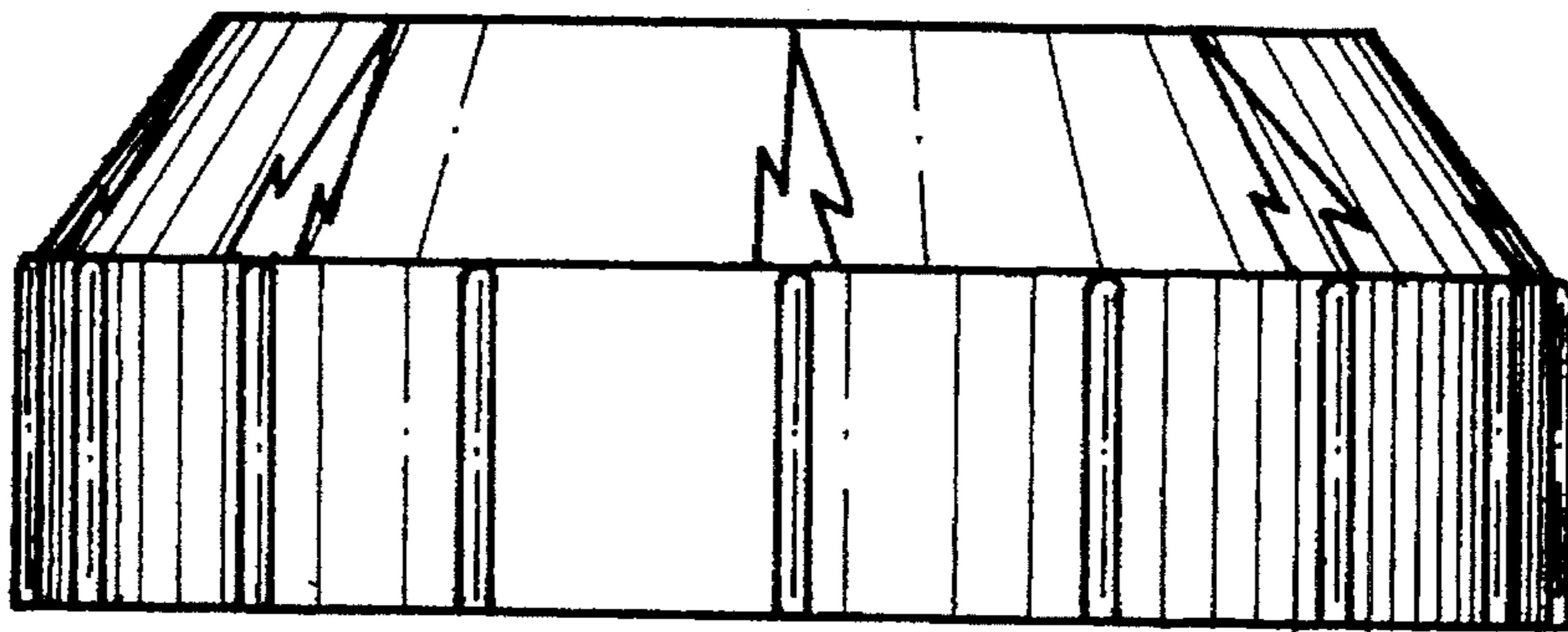


FIG. 2.



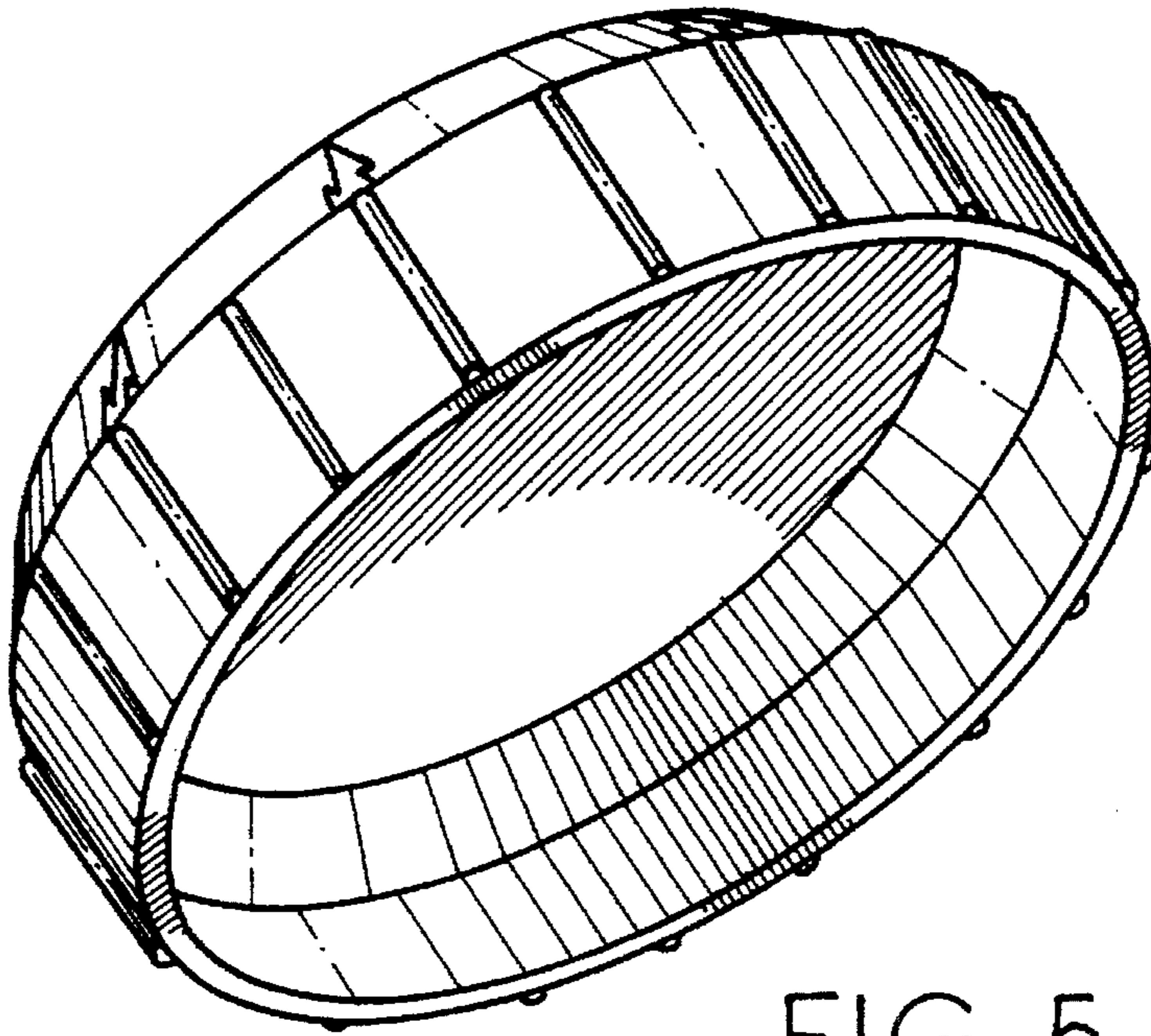


FIG. 5.

FIG. 4.

