



US00D363903S

United States Patent [19] Chiu

[11] Patent Number: **Des. 363,903**

[45] Date of Patent: ****Nov. 7, 1995**

[54] **STROLLER**

5,188,389 2/1993 Baechler et al. D12/129

[76] Inventor: **Ping-Jan Chiu**, No. 1146, Chung-San Rd., Ta-Chia Chen, Taichung Hsien, Taiwan

Primary Examiner—Kay H. Chin
Attorney, Agent, or Firm—Oblon, Spivak, McClelland, Maier & Neustadt

[**] Term: **14 Years**

[57] CLAIM

[21] Appl. No.: **29,728**

The ornamental design for a stroller, as shown and described.

[22] Filed: **Oct. 14, 1994**

DESCRIPTION

[52] U.S. Cl. **D12/129; D34/18**

[58] Field of Search D12/128, 129; 280/650, 62, 658, 47.38, 642, 644

FIG. 1 is a perspective view of stroller showing my new design;

FIG. 2 is a front elevational view thereof;

FIG. 3 is a rear elevational view thereof;

FIG. 4 is a left side elevational view thereof;

FIG. 5 is a right side elevational view thereof;

FIG. 6 is a top plan view thereof; and,

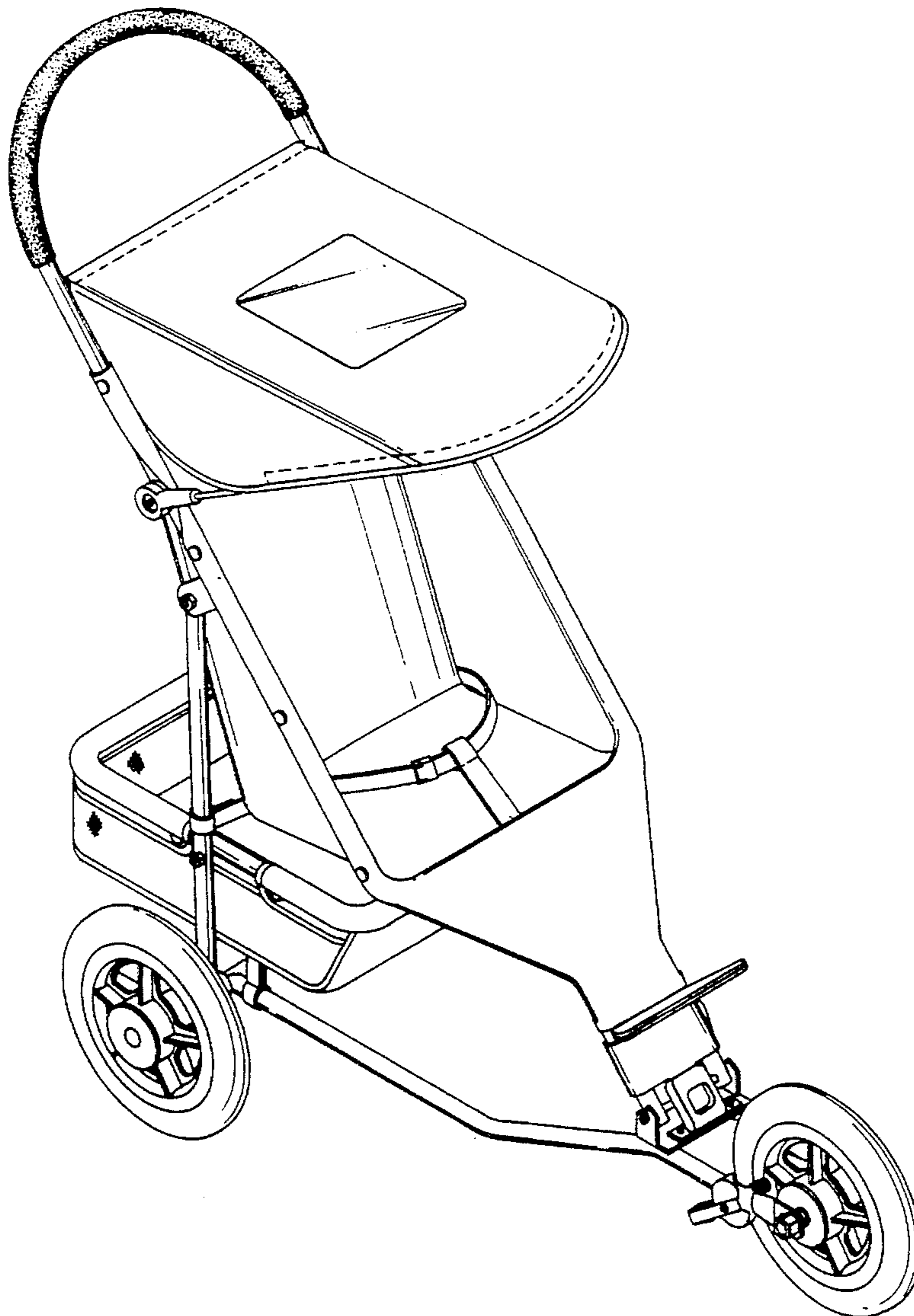
FIG. 7 is a bottom plan view thereof.

[56] References Cited

U.S. PATENT DOCUMENTS

D. 343,812	2/1994	Baechler et al.	D12/129
D. 350,923	9/1994	Schmidlin et al.	D12/128
D. 356,760	3/1995	Baechler	D12/129
5,123,670	6/1992	Chen	D12/129

1 Claim, 5 Drawing Sheets



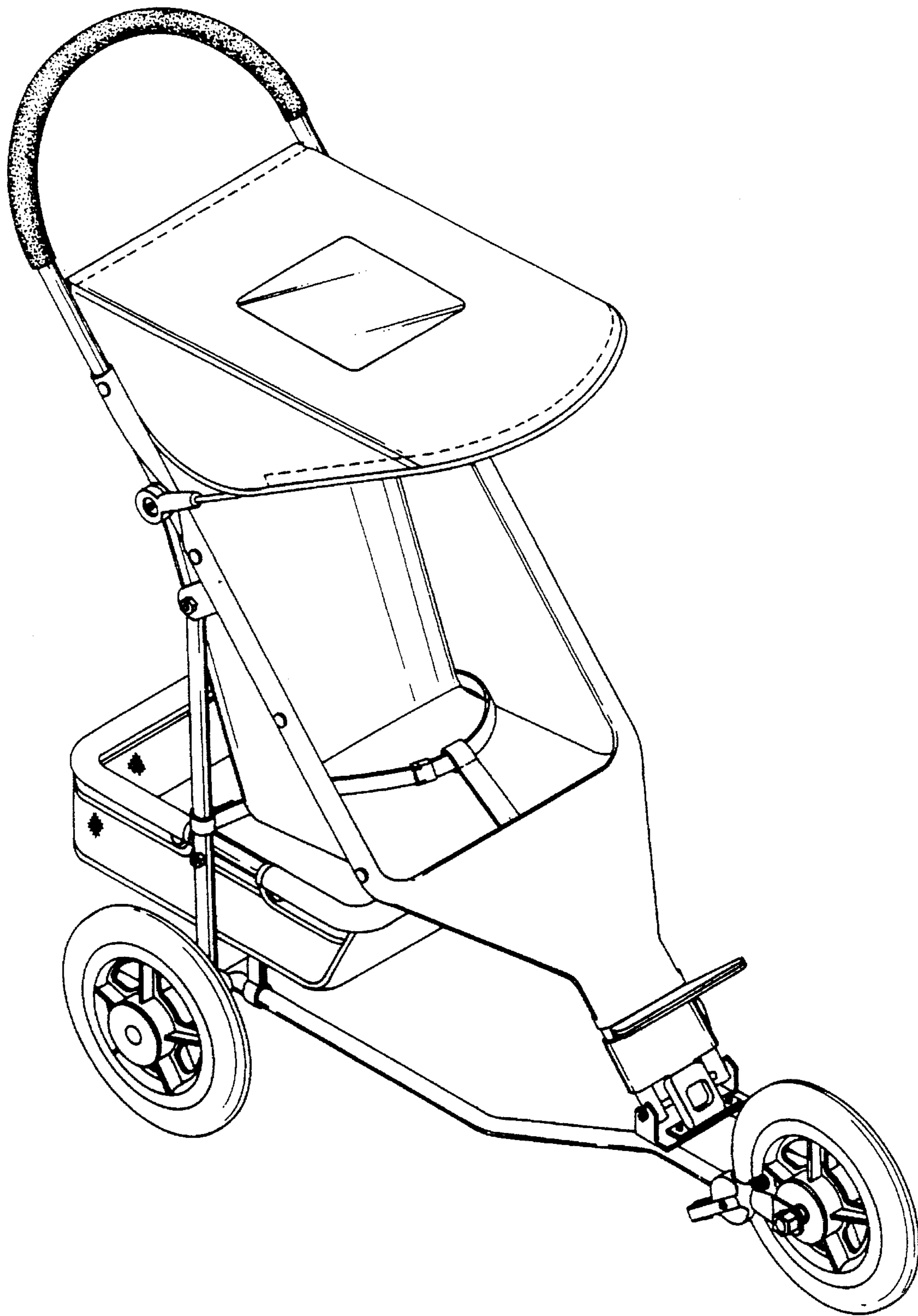


FIG. 1

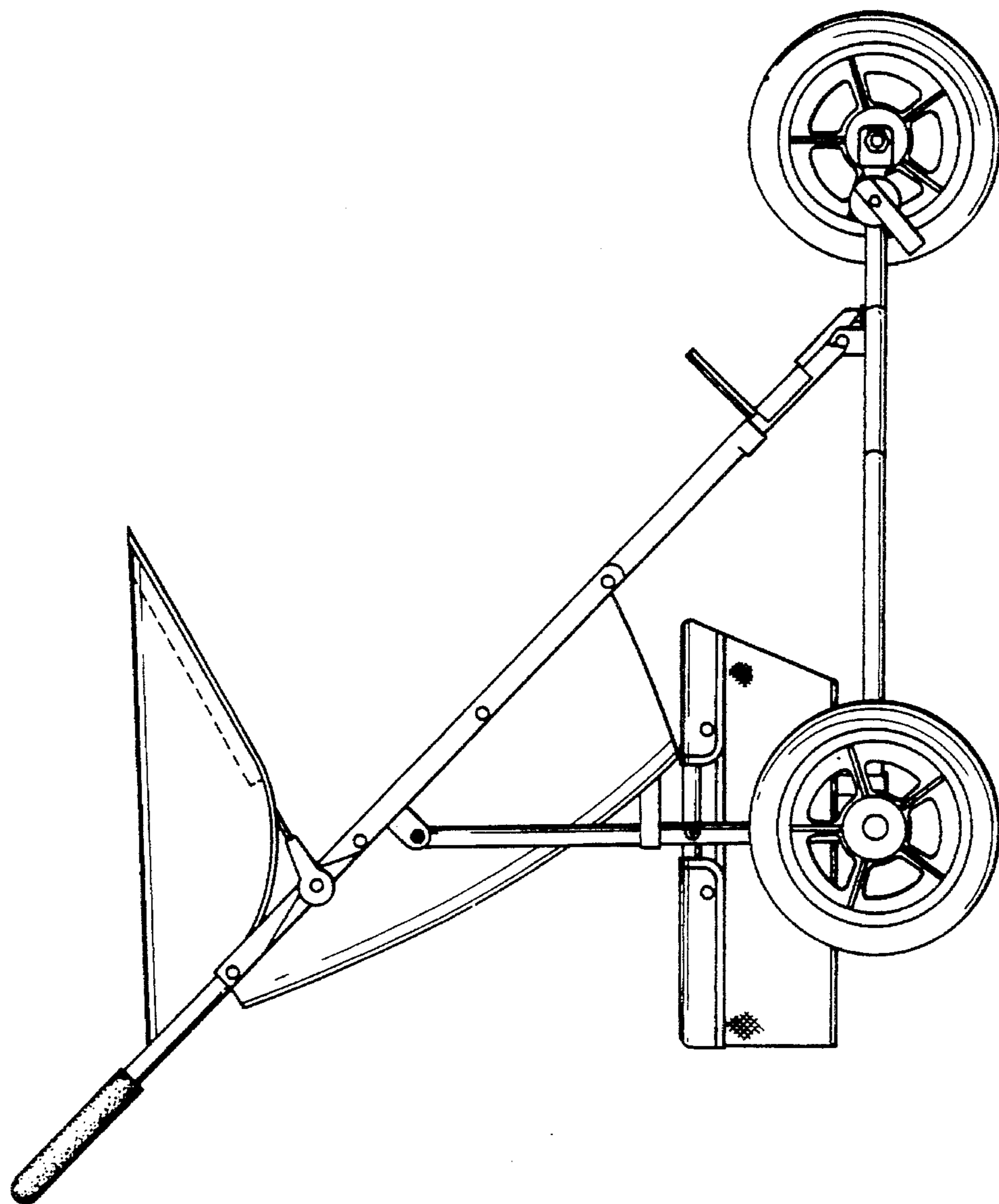


FIG. 2

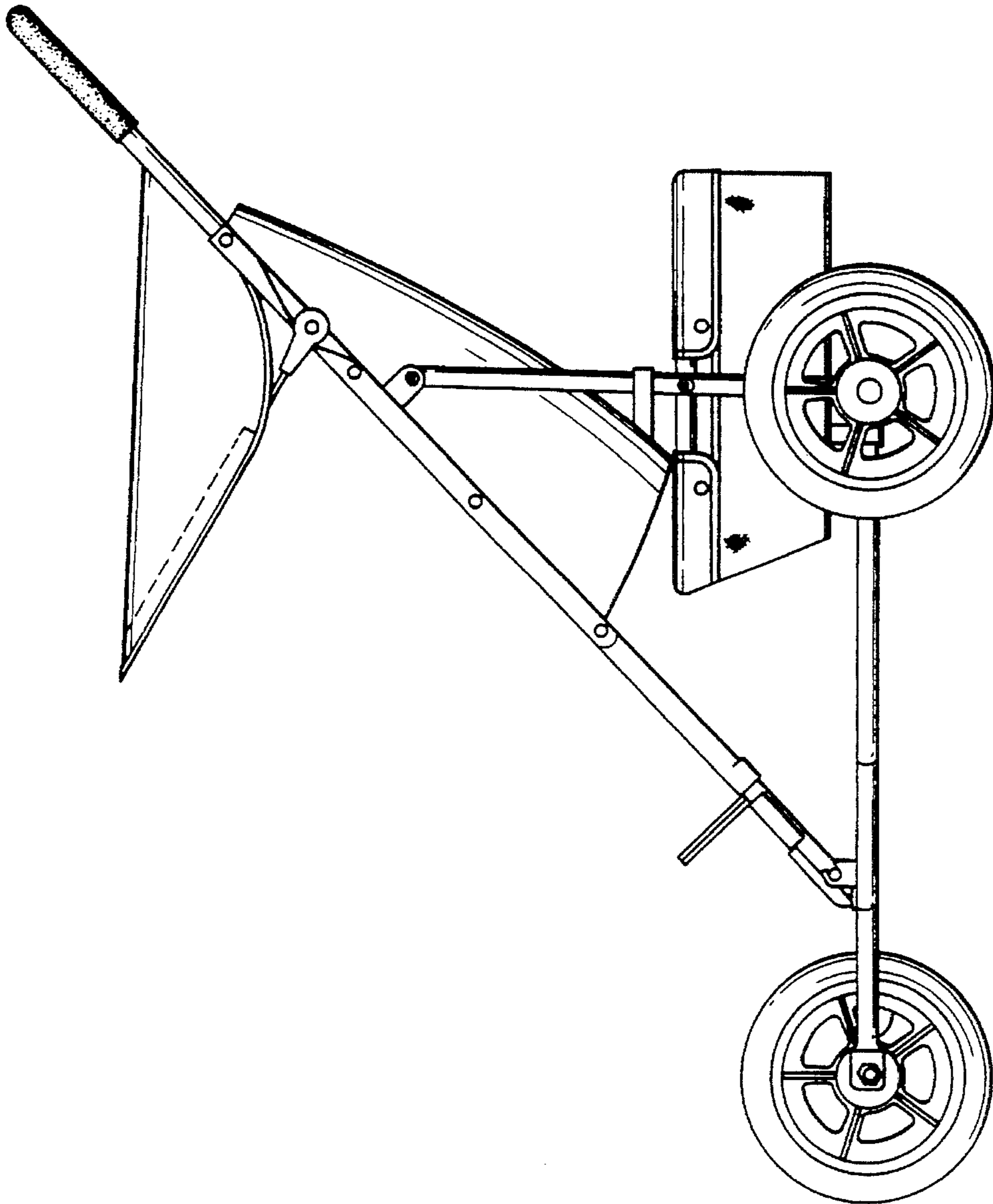


FIG. 3

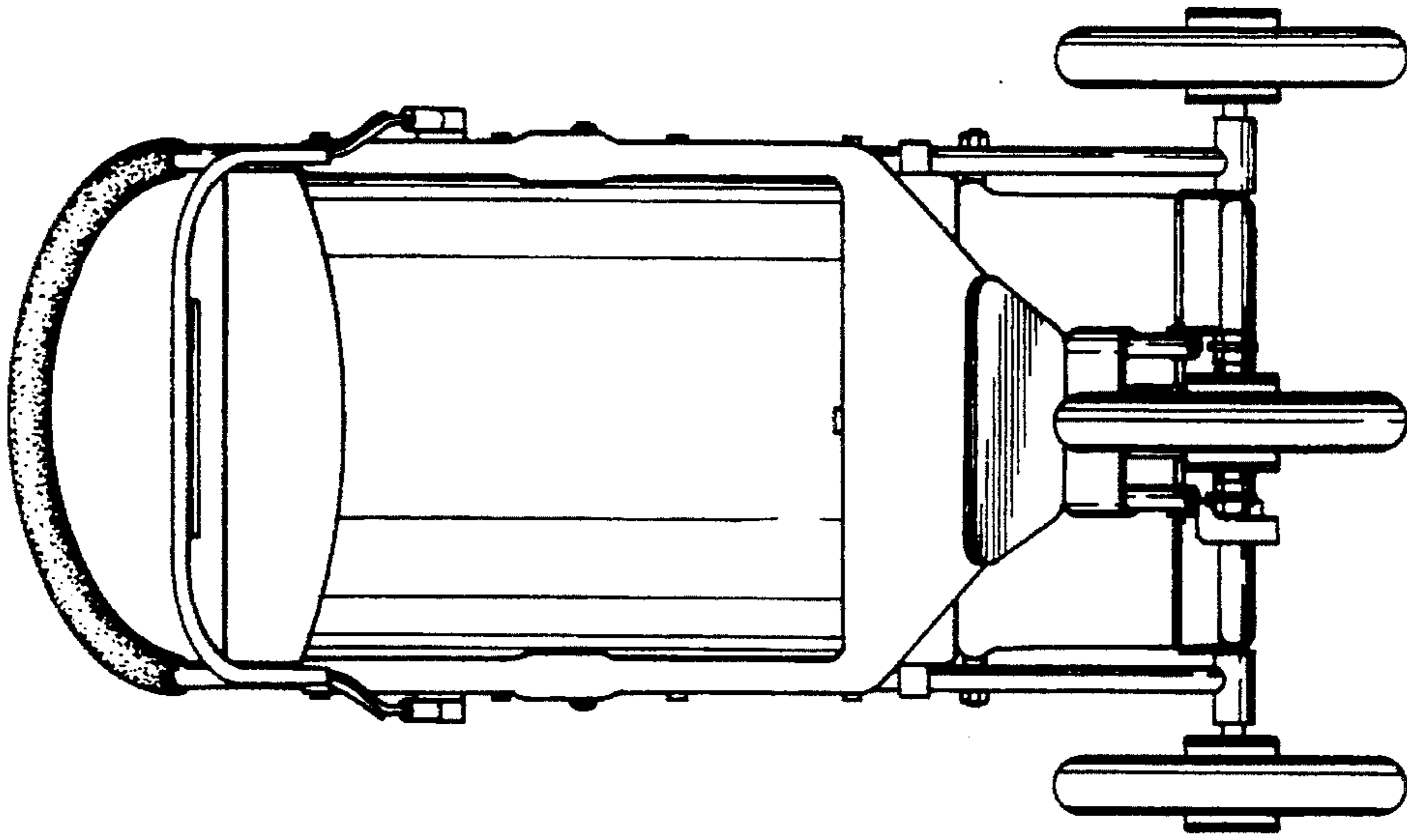


FIG. 5

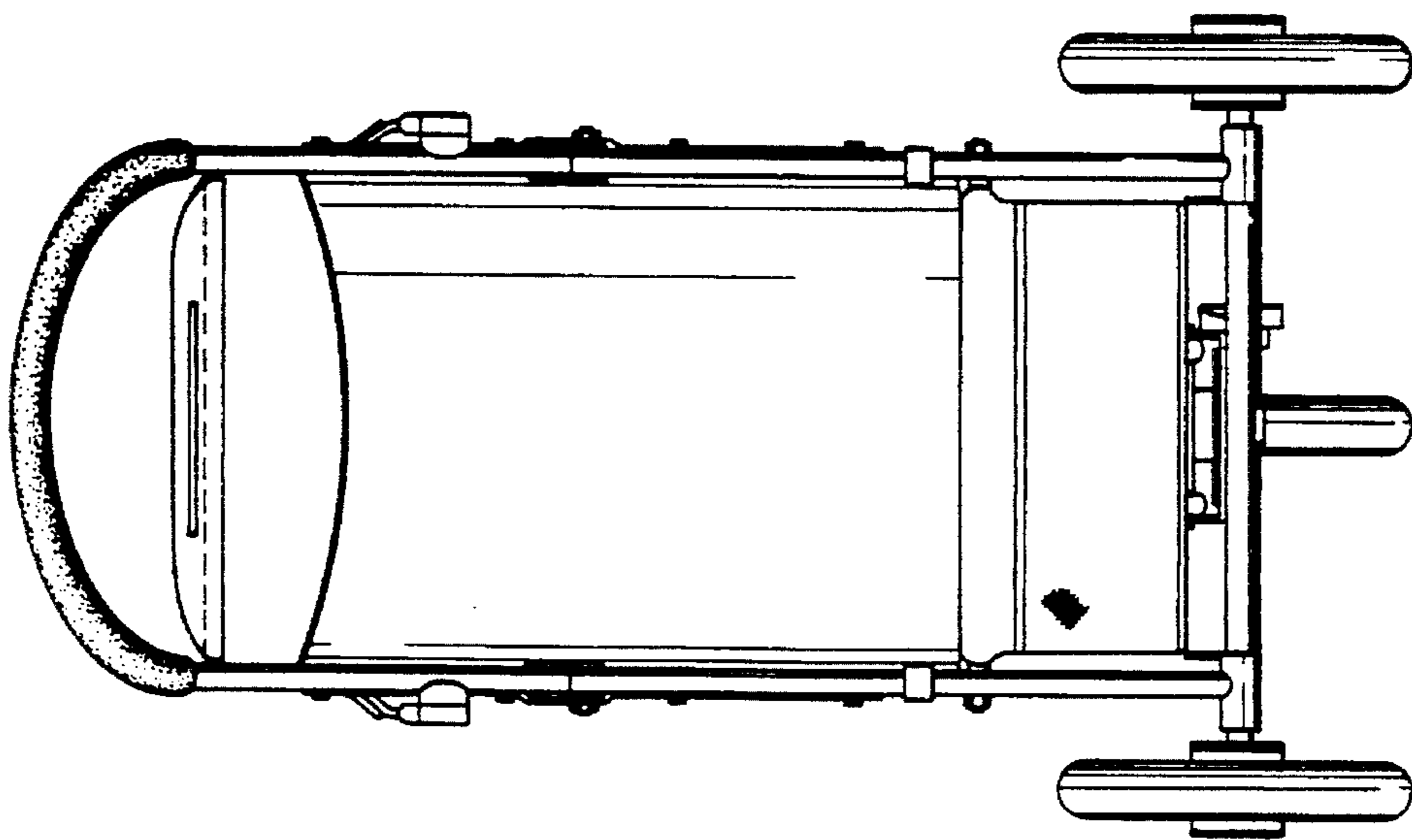


FIG. 4

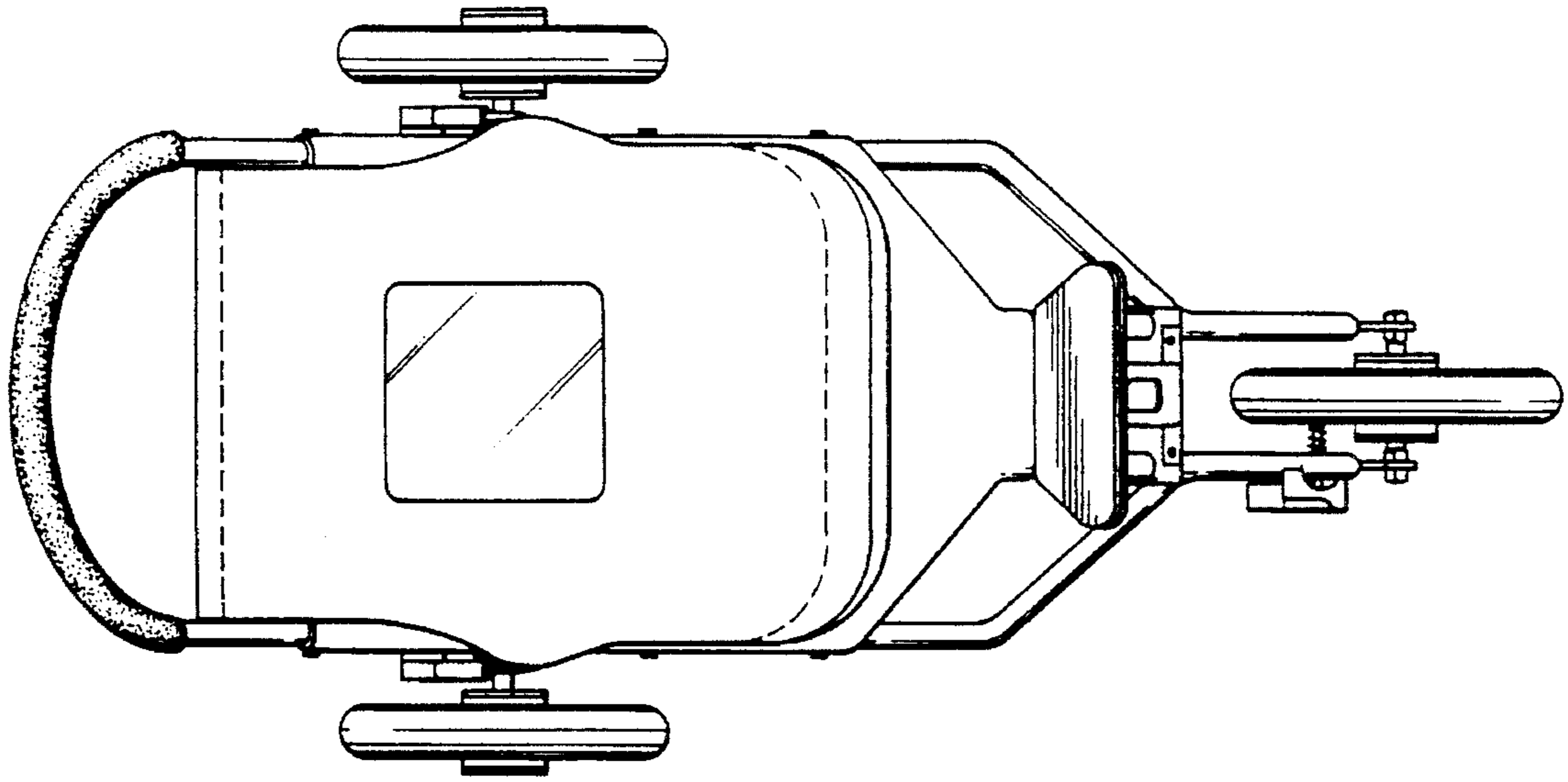


FIG. 6

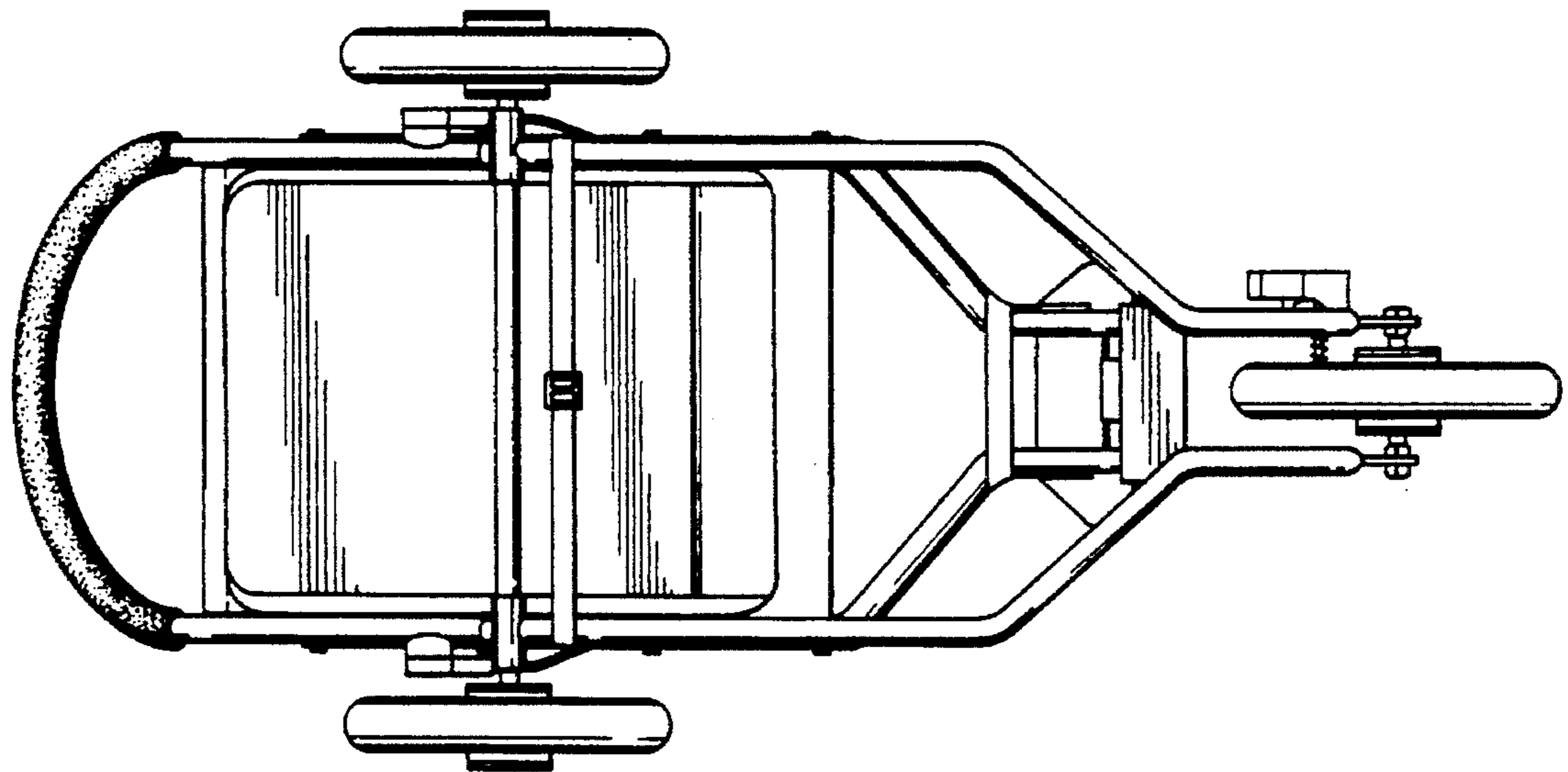


FIG. 7