



US00D363902S

United States Patent [19] Wright

[11] Patent Number: Des. 363,902

[45] Date of Patent: **Nov. 7, 1995

[54] SLED

[76] Inventor: **John R. Wright**, 7900 E. Princess Dr.,
Apt. 2181, Scottsdale, Ariz. 85255

[**] Term: **14 Years**

[21] Appl. No.: **18,581**

[22] Filed: **Feb. 9, 1994**

[52] U.S. Cl. **D12/8**

[58] Field of Search D12/8, 9; 280/12.1,
280/14.1, 12.12

[56] **References Cited**

U.S. PATENT DOCUMENTS

D. 154,366	7/1949	Brown	D12/8
D. 159,950	9/1950	Brown	D12/8
D. 305,312	1/1990	Wright	D12/9
1,286,217	12/1918	Brandes	D12/8
1,313,502	8/1919	Pangborn	D12/8

FOREIGN PATENT DOCUMENTS

3414757	10/1985	Germany	280/14.1
---------	---------	---------	-------	----------

Primary Examiner—A. Hugo Word

Assistant Examiner—M. Brown

Attorney, Agent, or Firm—Trexler, Bushnell, Giangiorgi &
Blackstone, Ltd.

[57] **CLAIM**

The ornamental design for a sled, as shown and described.

DESCRIPTION

FIG. 1 is a perspective view of a sled showing my new design;

FIG. 2 is a side view of FIG. 1;

FIG. 3 is a top plan view of FIG. 1;

FIG. 4 is a front elevational view of FIG. 1; and,

FIG. 5 is a rear elevational view of FIG. 1.

The broken lines shown in FIGS. 1-5 are for illustrative purposes only and form no part of the claimed design.

1 Claim, 3 Drawing Sheets

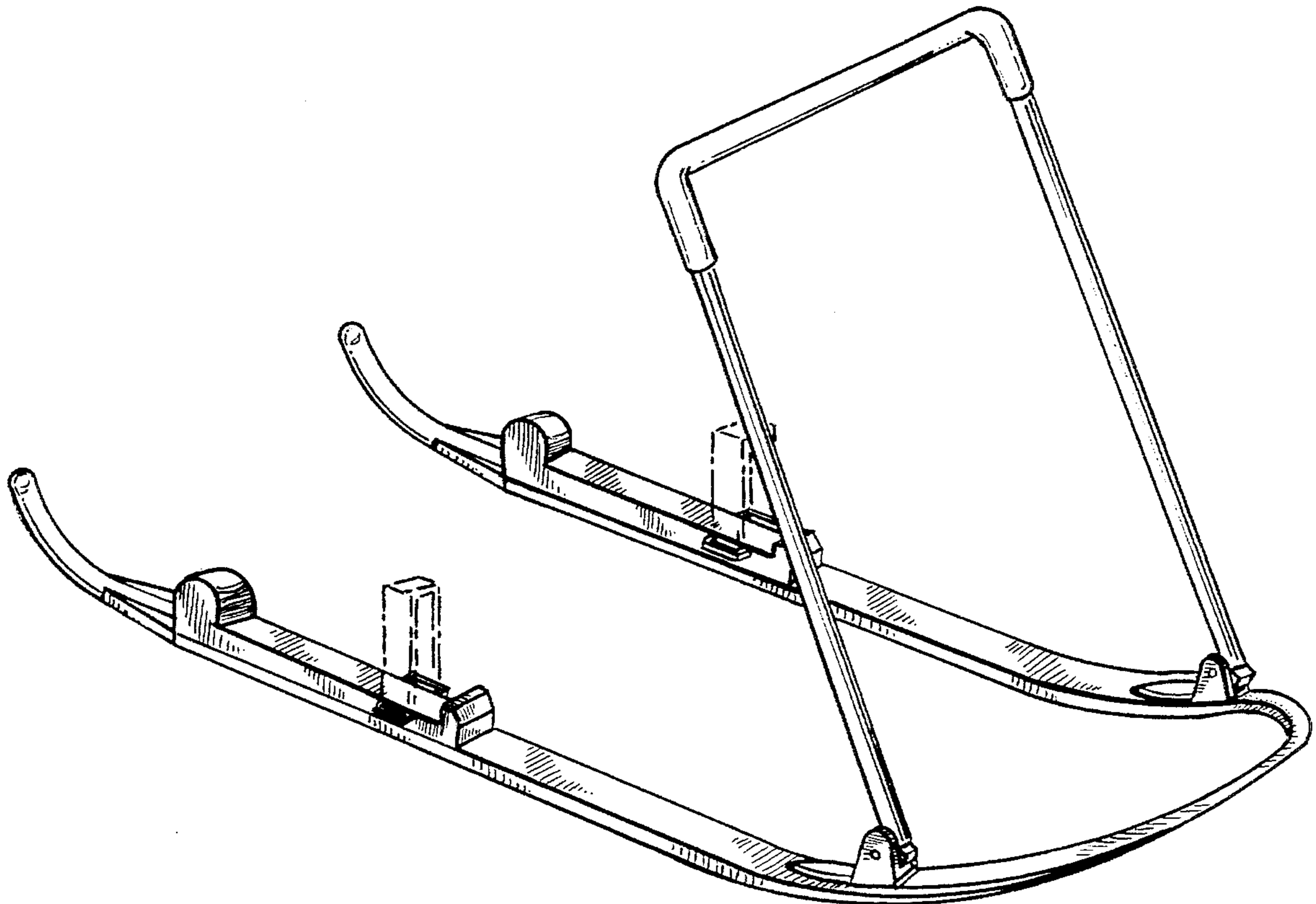


FIG. 1

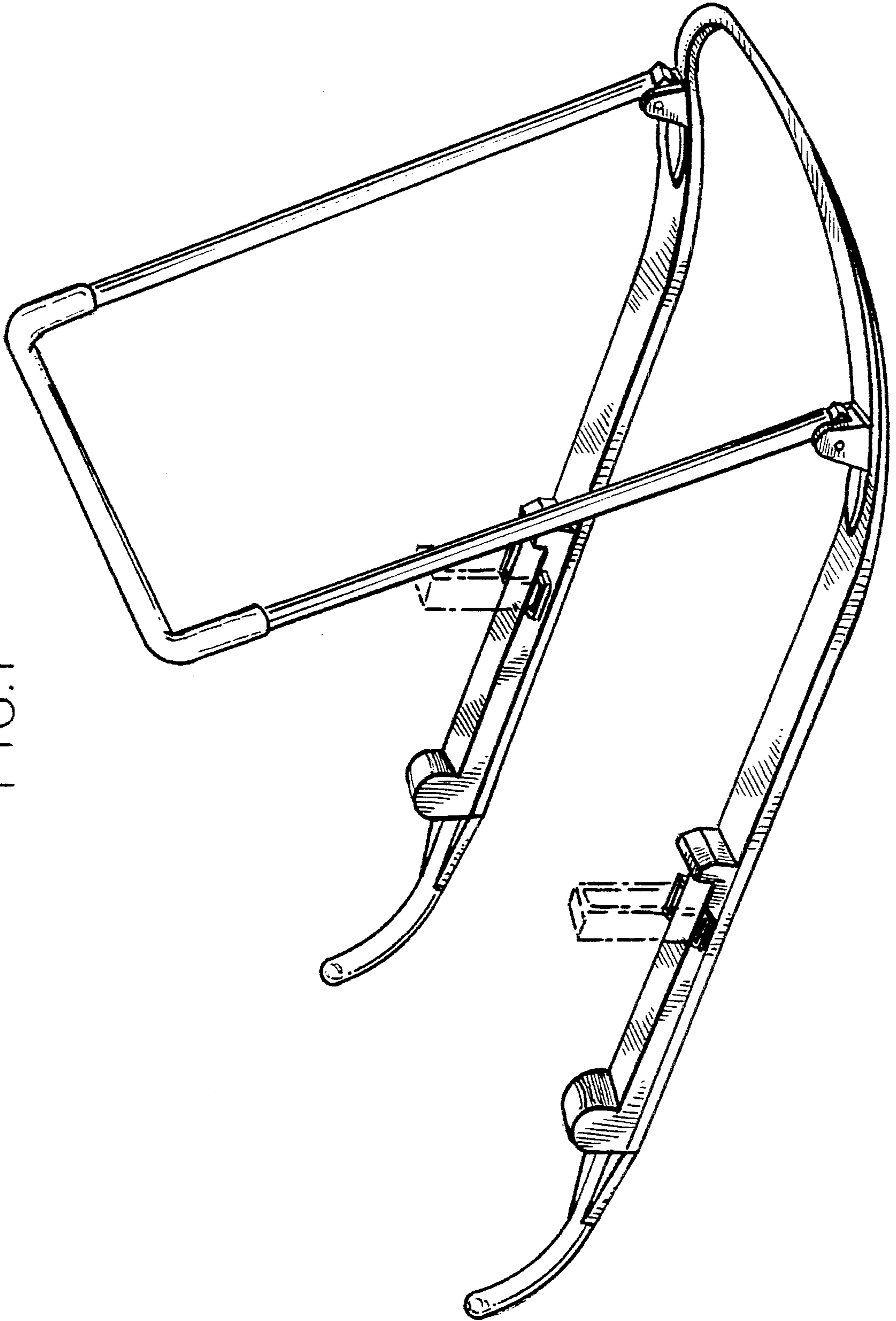


FIG. 2

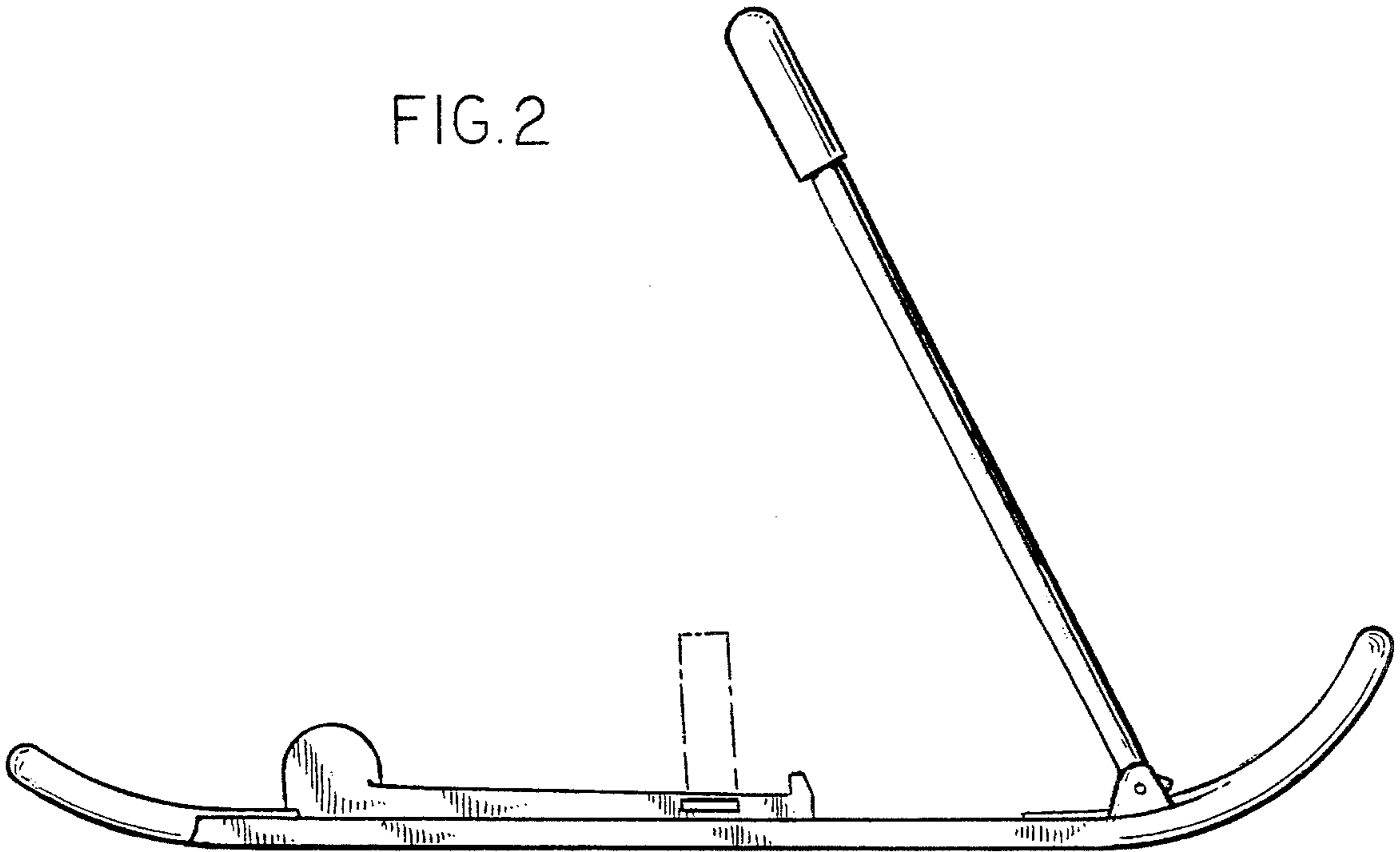


FIG. 3

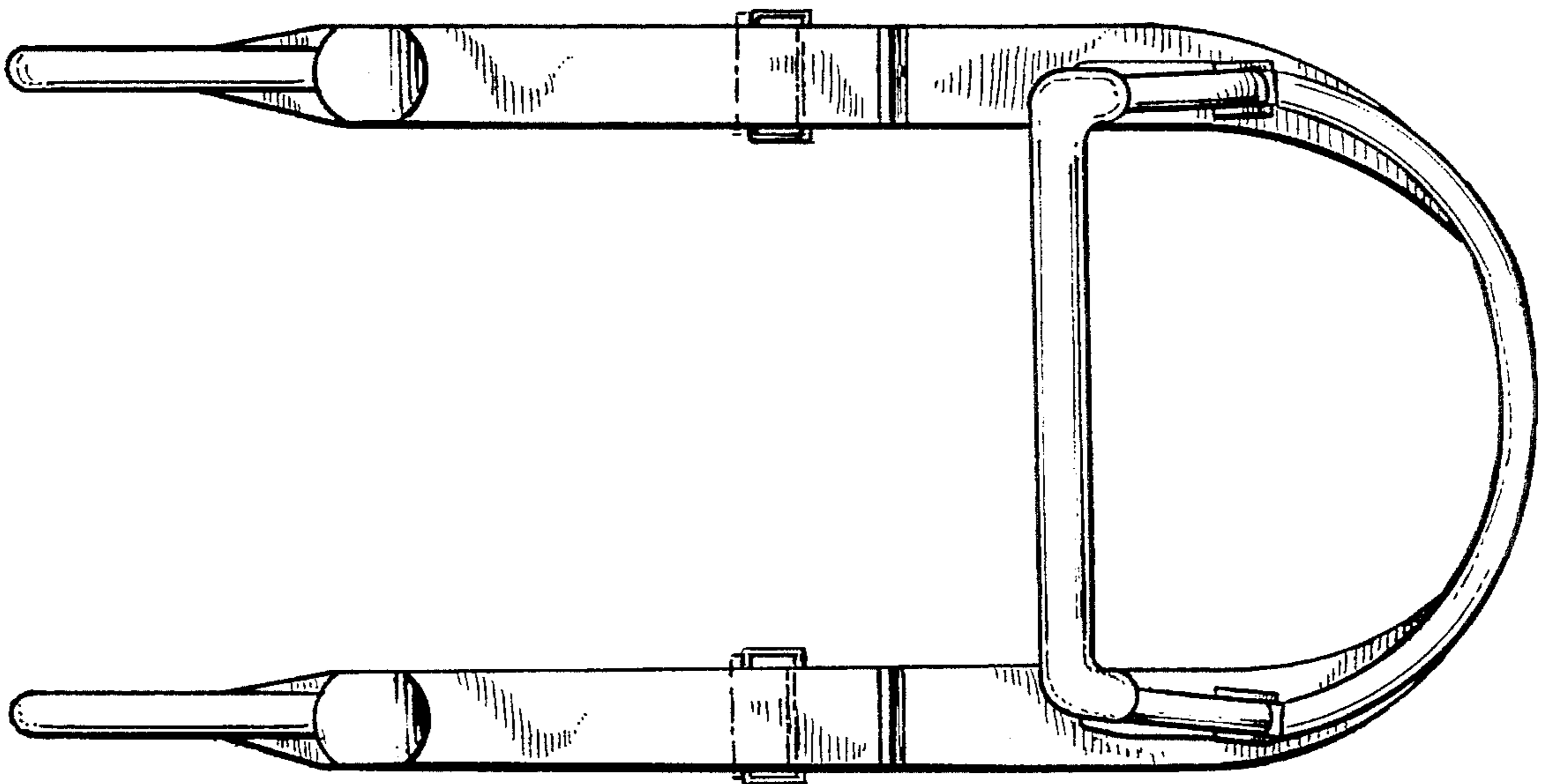


FIG. 4

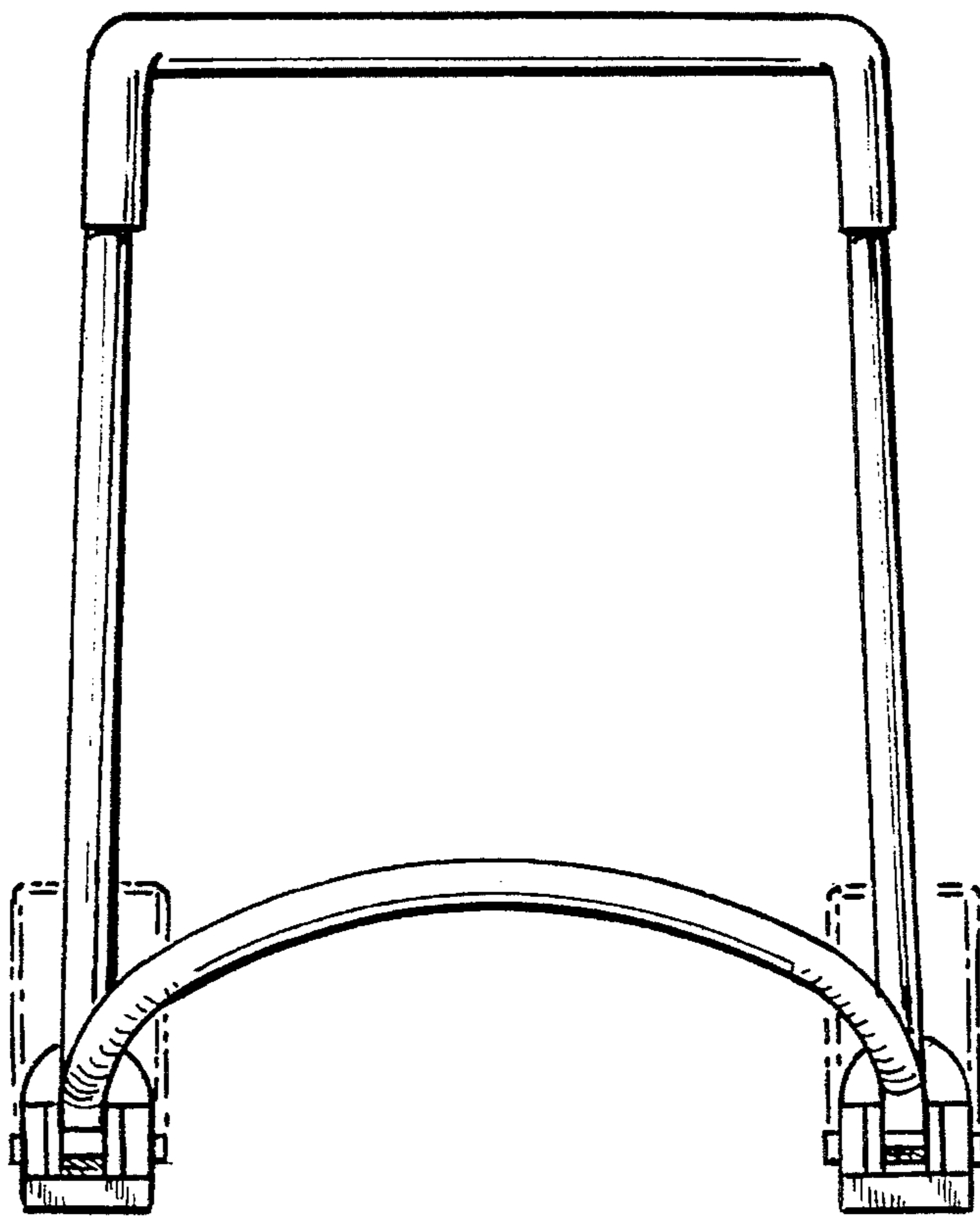


FIG. 5

