



US00D363897S

United States Patent [19]
Carlson

[11] **Patent Number:** **Des. 363,897**
[45] **Date of Patent:** ****Nov. 7, 1995**

[54] **PLANTER**
[75] Inventor: **Arthur R. Carlson**, East Hawthorn,
Australia
[73] Assignee: **Bemis Manufacturing Company**,
Sheboygan Falls, Wis.
[**] Term: **14 Years**
[21] Appl. No.: **30,861**
[22] Filed: **Nov. 10, 1994**
[30] **Foreign Application Priority Data**
Jun. 10, 1994 [AU] Australia 1800/94
[52] **U.S. Cl.** **D11/152**
[58] **Field of Search** D11/152, 143,
D11/154; D7/558, 584; 47/71

81174 3/1981 Australia .
81777 6/1981 Australia .
81778 6/1981 Australia .
83116 2/1982 Australia .
83115 5/1982 Australia .
90287 4/1985 Australia .
90289 4/1985 Australia .
90291 4/1985 Australia .
94178 11/1986 Australia .
94632 1/1987 Australia .
94633 1/1987 Australia .
95997 3/1987 Australia .
96249 4/1987 Australia .
96250 4/1987 Australia .
97364 8/1987 Australia .
98993 12/1987 Australia .
99707 2/1988 Australia .
15065 7/1977 New Zealand .
15178 10/1977 New Zealand .
15180 10/1977 New Zealand .
15245 11/1977 New Zealand .
15246 11/1977 New Zealand .
18581 9/1983 New Zealand .
18582 9/1983 New Zealand .

[56] **References Cited**

U.S. PATENT DOCUMENTS

D. 66,461 1/1925 Sanford D7/558
D. 208,097 7/1967 Henn D7/558
D. 224,414 7/1972 Kaelke D11/154
D. 259,776 7/1981 Waterfield D11/153
D. 288,793 3/1987 Carlson D11/153
D. 288,794 3/1987 Carlson D11/153
D. 296,425 6/1988 Carlson D11/152
D. 297,319 8/1988 Carlson D11/152
D. 300,732 4/1989 Carlson D11/152
D. 313,203 12/1990 Carlson D11/153
D. 352,482 11/1994 Carlson D11/143 X

FOREIGN PATENT DOCUMENTS

69505 7/1977 Australia .
69915 7/1977 Australia .
78936 3/1980 Australia .
79917 7/1980 Australia .
79916 9/1980 Australia .
79915 9/1980 Australia .

Primary Examiner—Alan P. Douglas
Assistant Examiner—Cathron B. Matta
Attorney, Agent, or Firm—Michael, Best & Friedrich

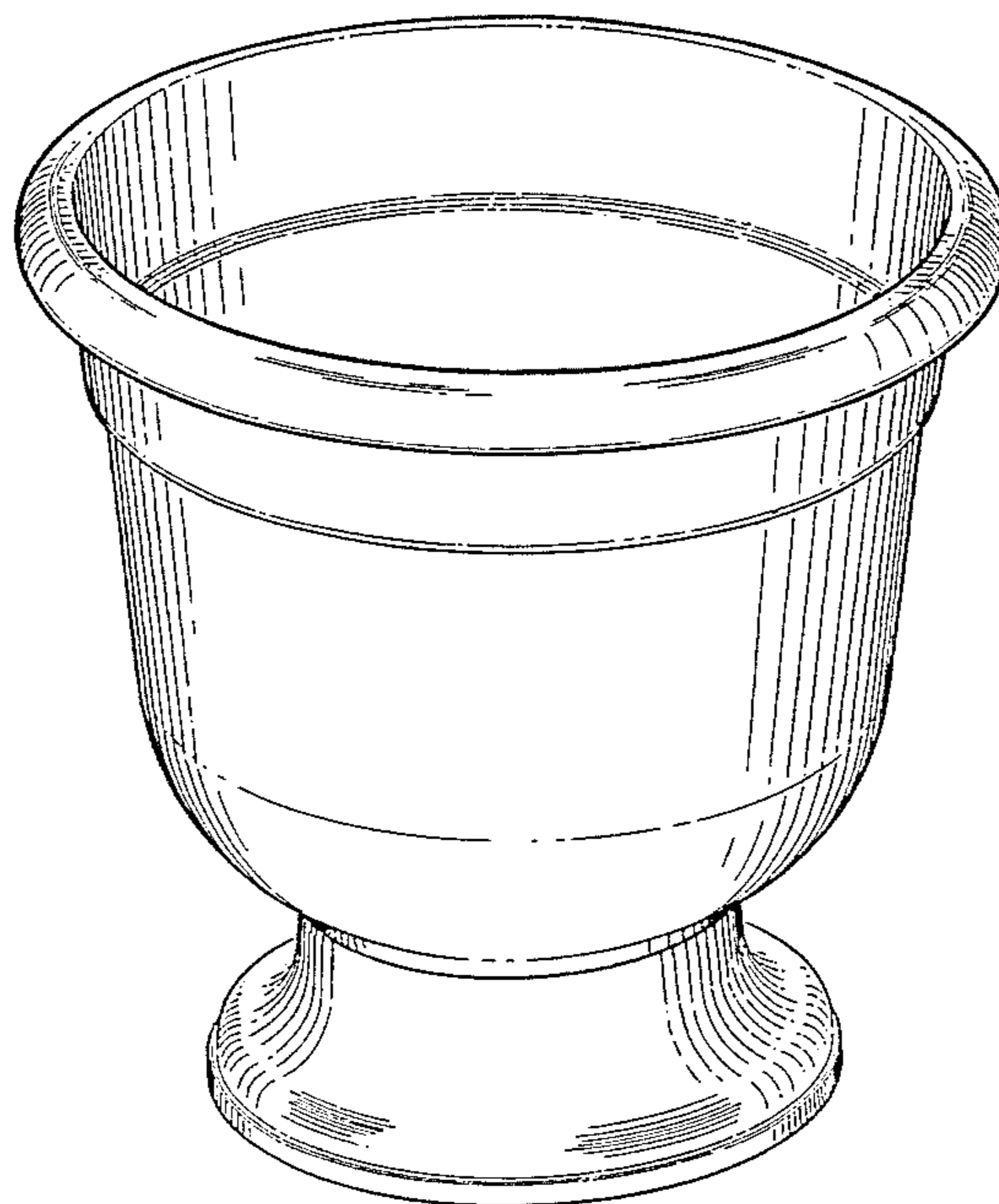
[57] **CLAIM**

The ornamental design for a planter, as shown.

DESCRIPTION

FIG. 1 is a perspective view of a planter showing my new design;
FIG. 2 is a top plan view thereof;
FIG. 3 is a side elevational view thereof;
FIG. 4 is a bottom plan view thereof;
FIG. 5 is an exploded perspective view thereof; and,
FIG. 6 is a vertical sectional view thereof taken along line 6—6 in FIG. 2.

1 Claim, 6 Drawing Sheets



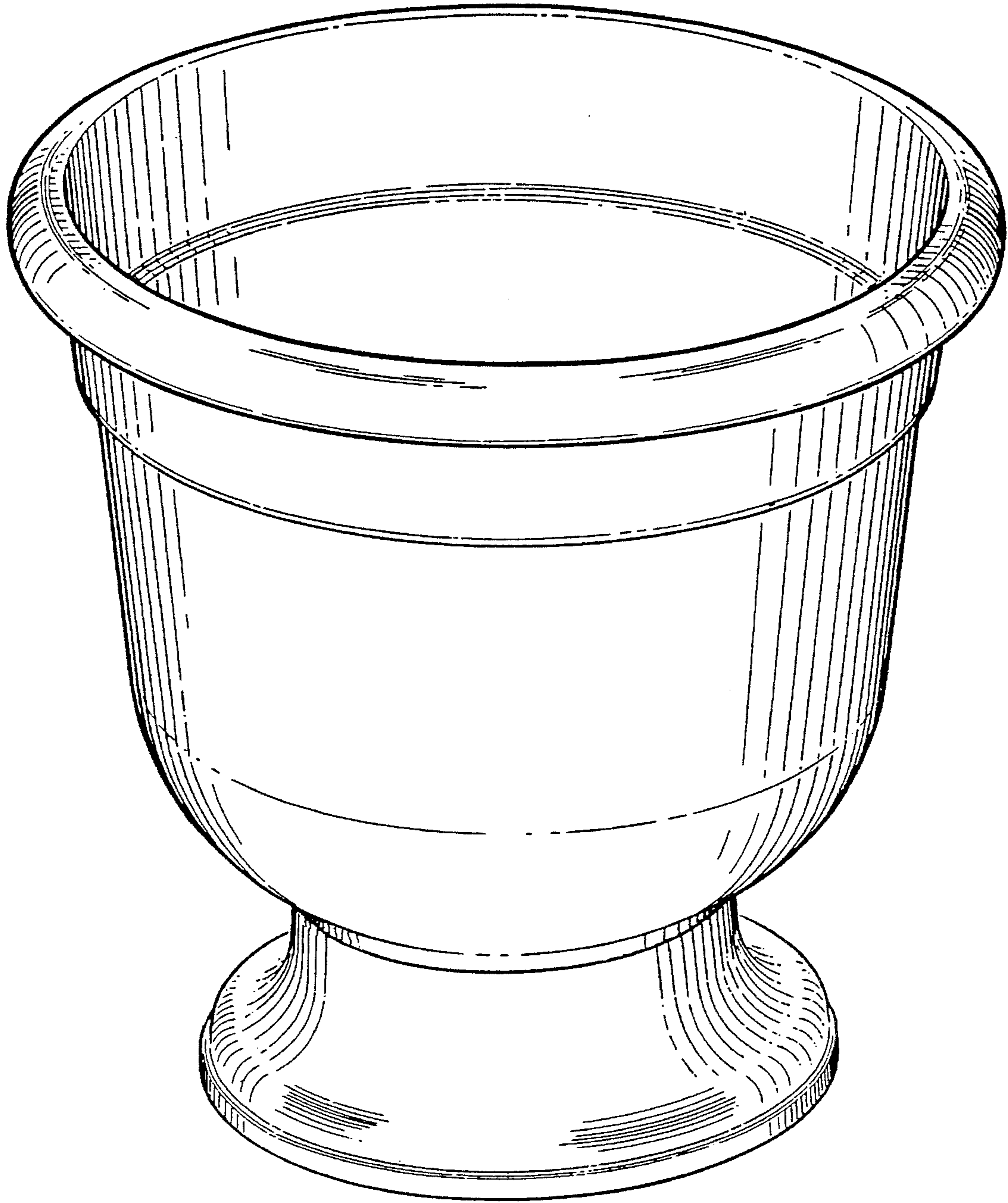


FIG. 1.

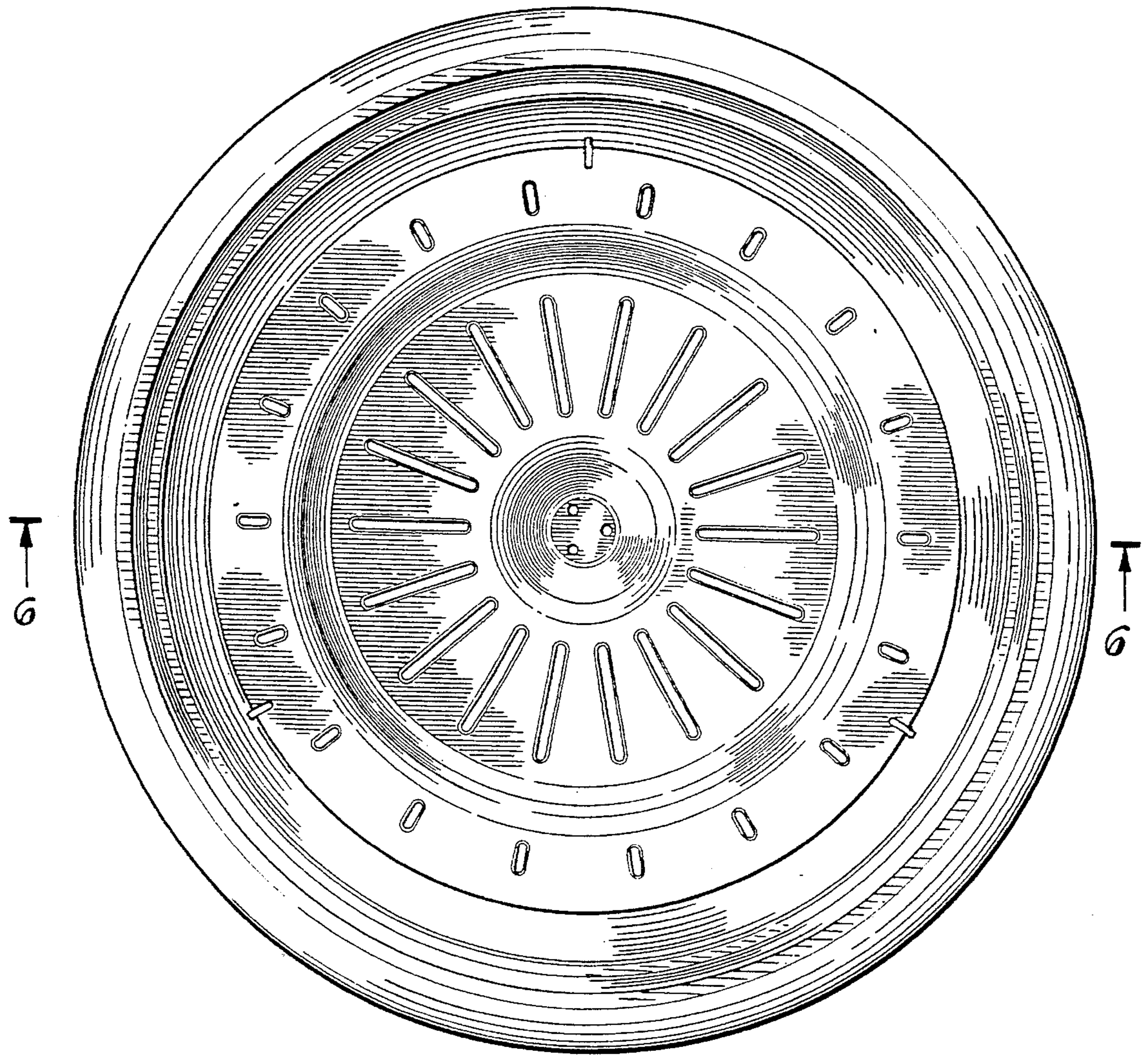


FIG. 2.

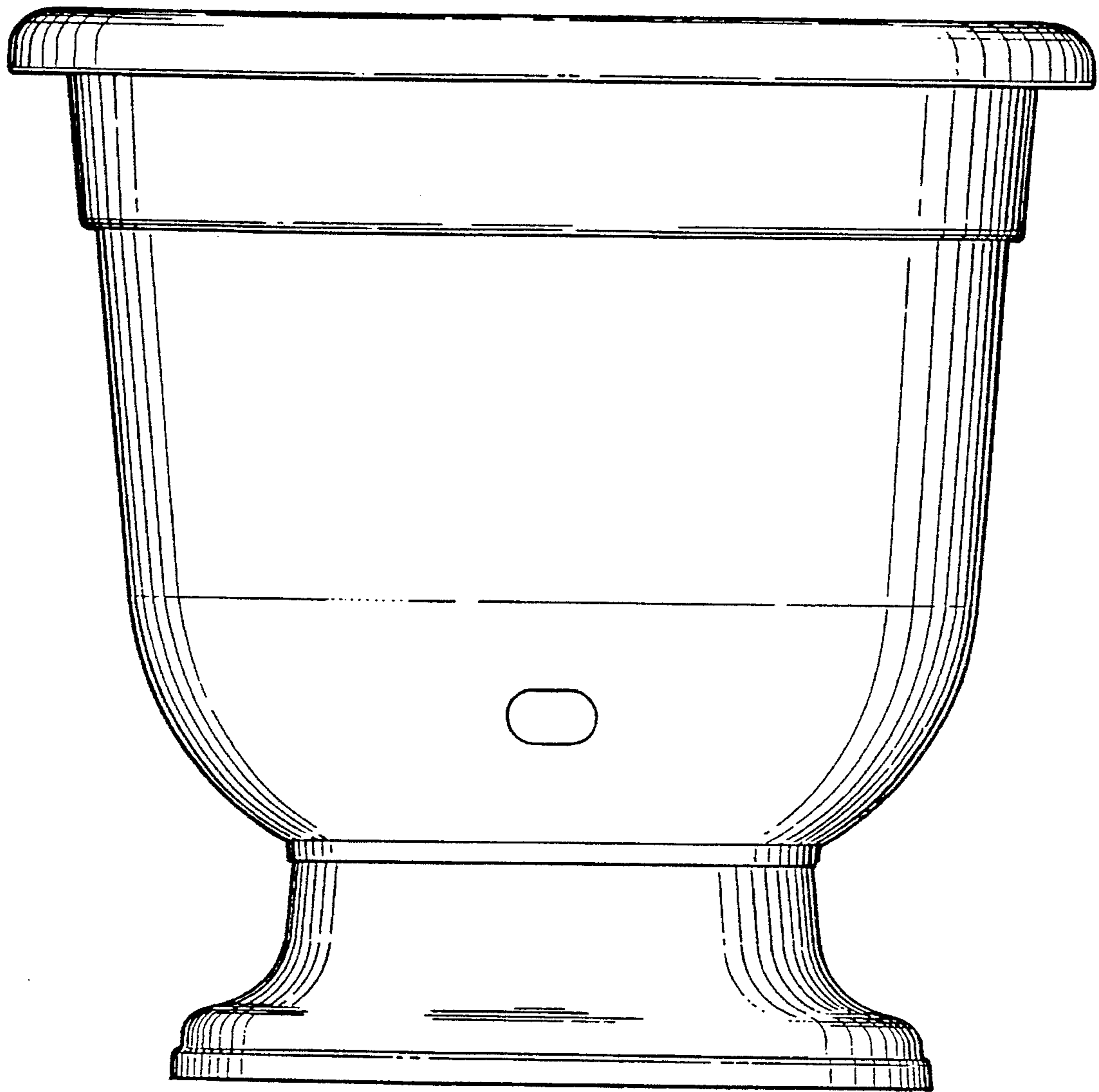


FIG. 3.

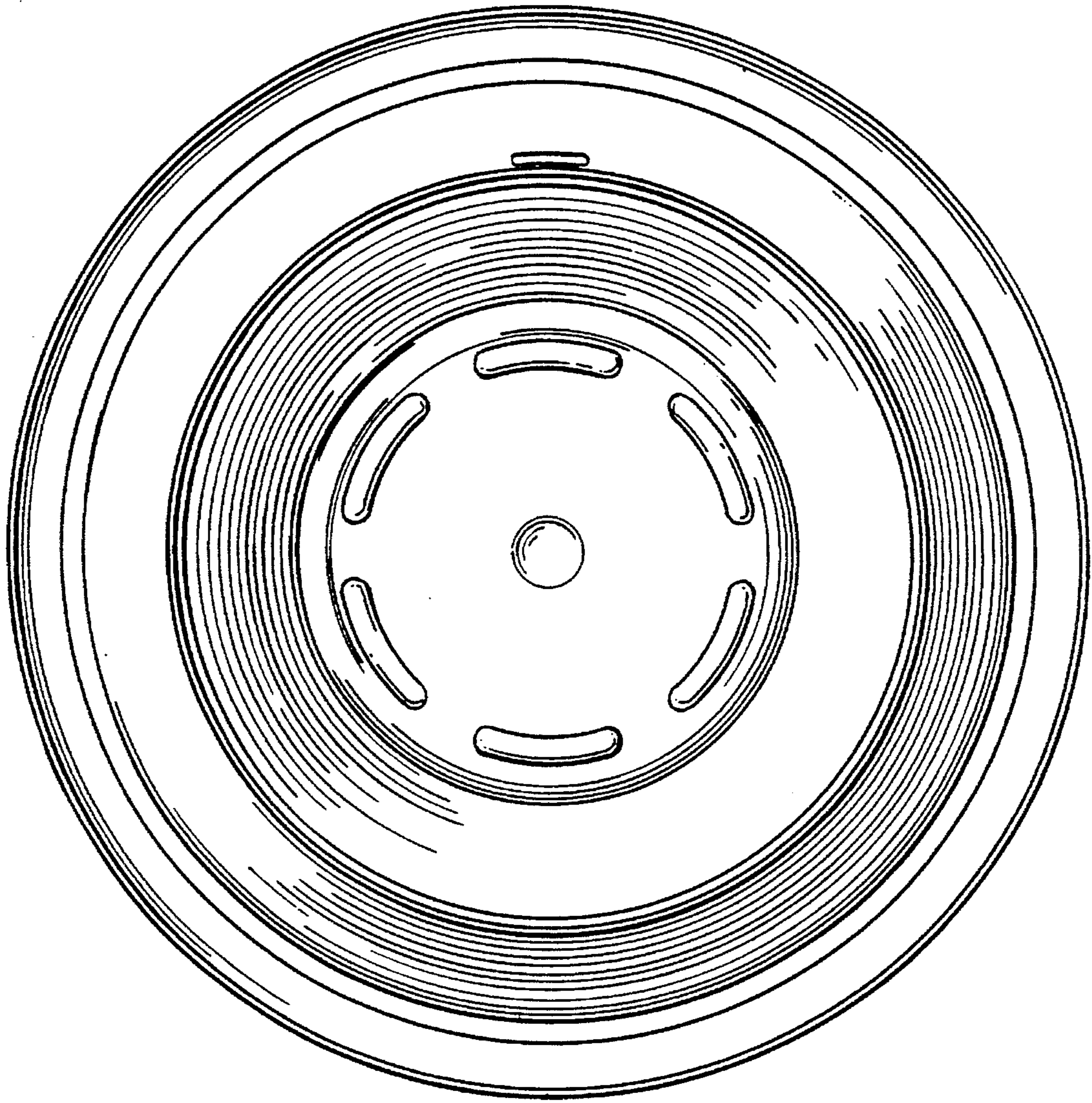


FIG. 4.

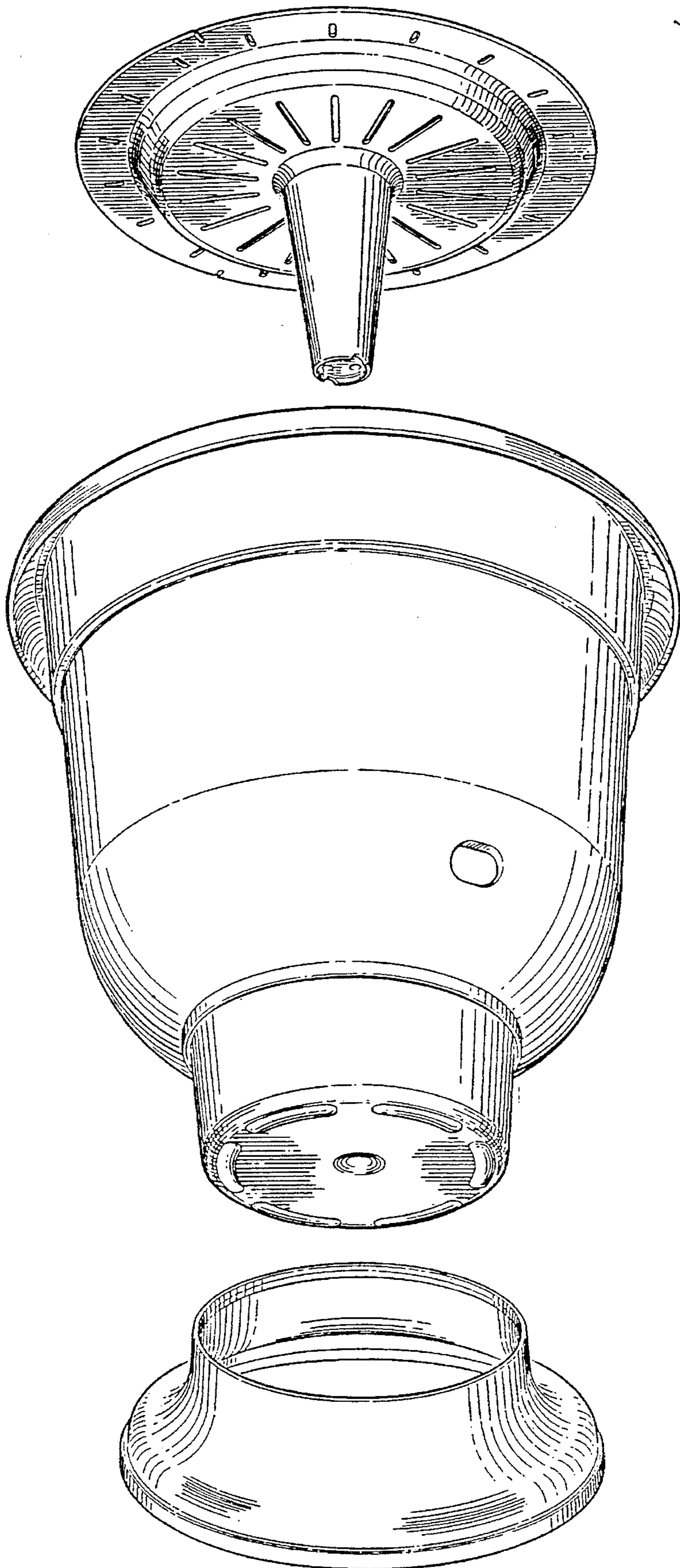


FIG. 5.

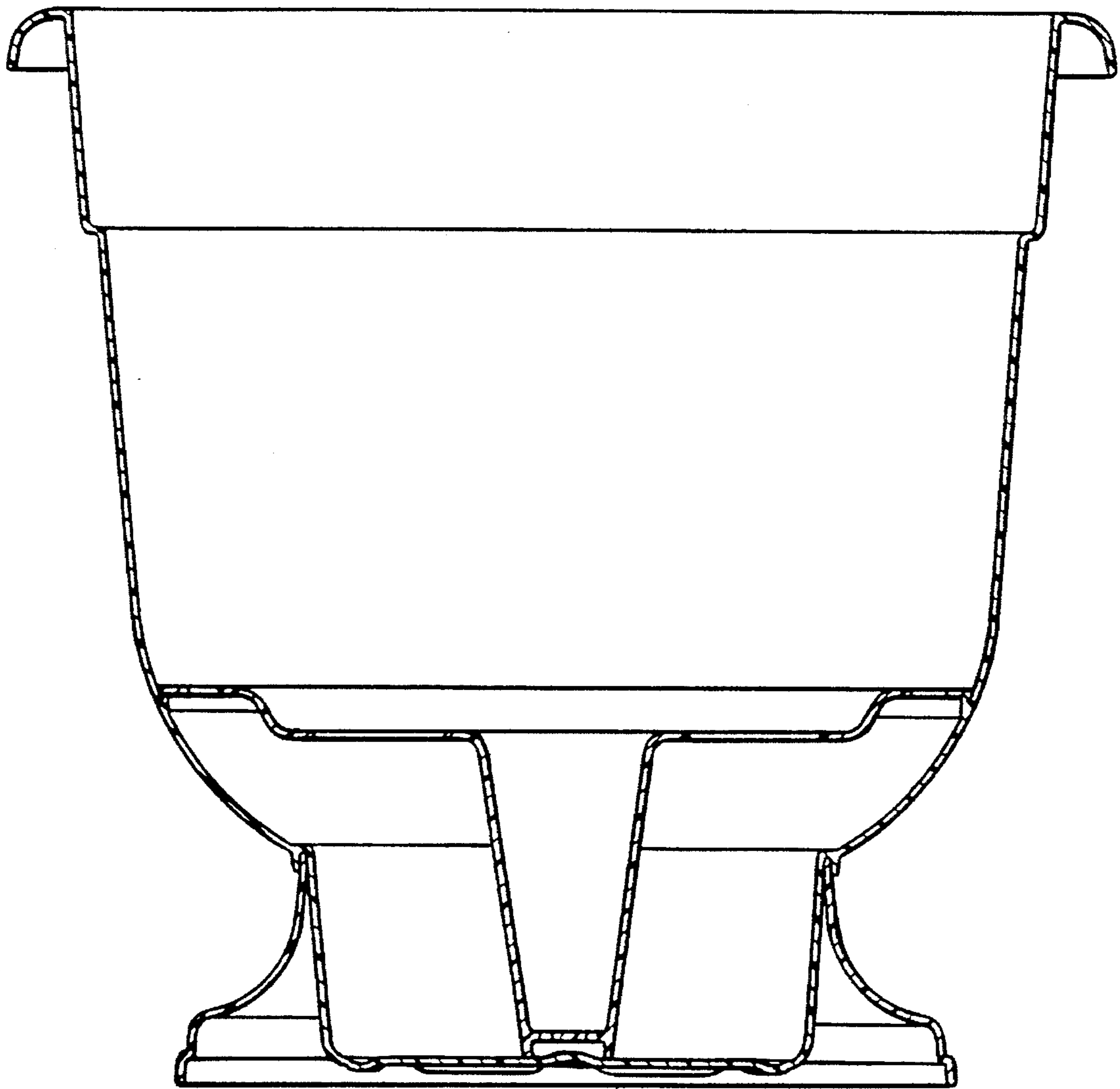


FIG. 6 .