



US00D363891S

United States Patent [19]
Gough

[11] **Patent Number: Des. 363,891**
[45] **Date of Patent: **Nov. 7, 1995**

[54] **MOTION DETECTION SENSOR**
[75] Inventor: **Keith A. Gough**, Prescott, England
[73] Assignee: **Bridisco Limited**, London, England
[**] Term: **14 Years**
[21] Appl. No.: **9,973**
[22] Filed: **Jun. 28, 1993**
[52] **U.S. Cl.** **D10/106**
[58] **Field of Search** D10/106; 340/541,
340/542, 543, 544, 545, 546, 547, 551,
571, 689; 250/338.1, 353

4,778,996 10/1988 Baldwin et al. .

FOREIGN PATENT DOCUMENTS

484293 5/1992 European Pat. Off. .
2221984 2/1990 United Kingdom .

Primary Examiner—Alan P. Douglas
Assistant Examiner—Antoine D. Davis
Attorney, Agent, or Firm—Nies, Kurz, Bergert & Tamburro

[57] **CLAIM**

The ornamental design for a motion detection sensor, as shown and described.

DESCRIPTION

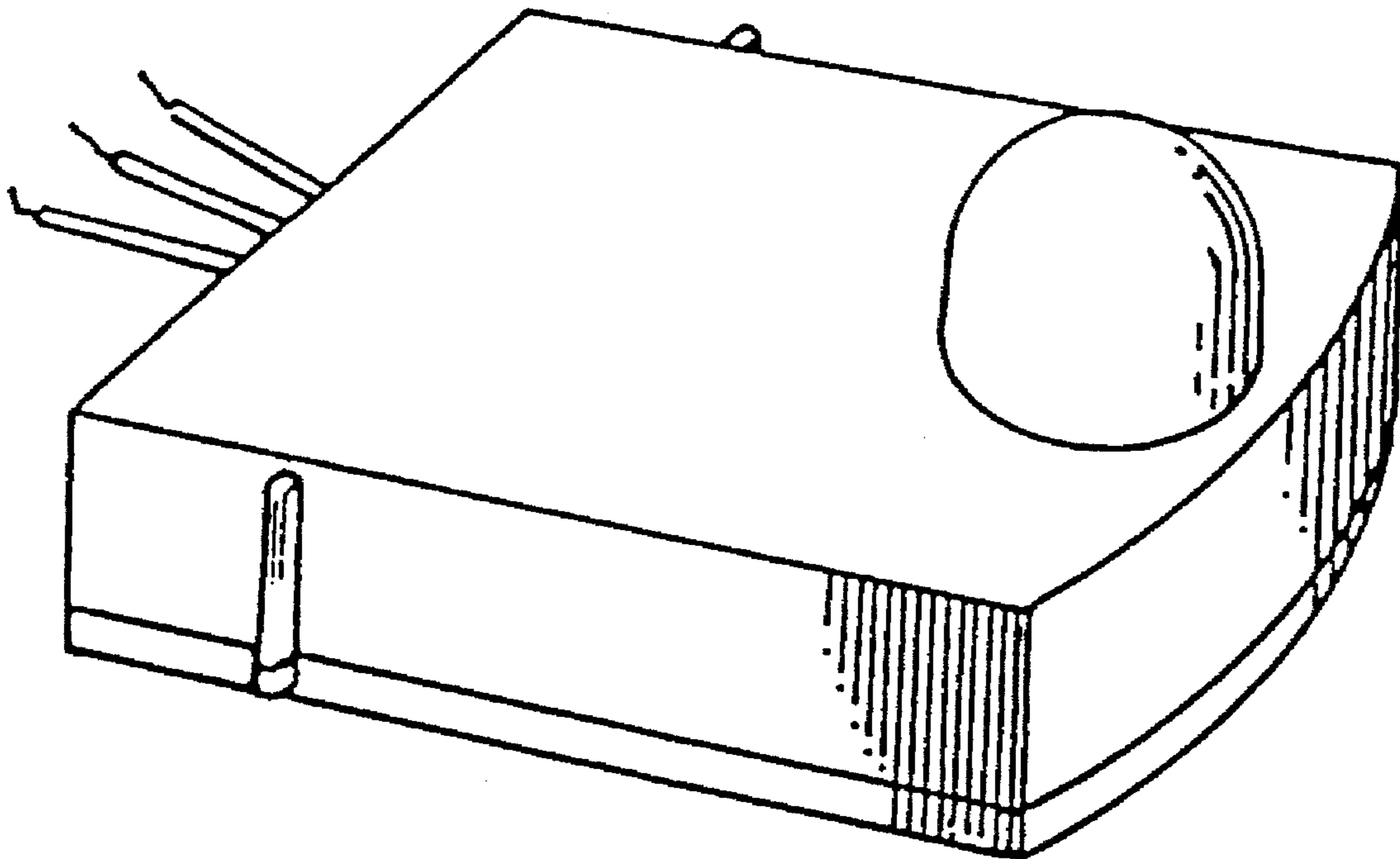
FIG. 1 is a top perspective view of a motion detection sensor showing my new design; and,
FIG. 2 is a bottom perspective view thereof.

[56] **References Cited**

U.S. PATENT DOCUMENTS

D. 330,339 10/1992 Roselle et al. D10/106
4,644,164 2/1987 Mudge .

1 Claim, 1 Drawing Sheet



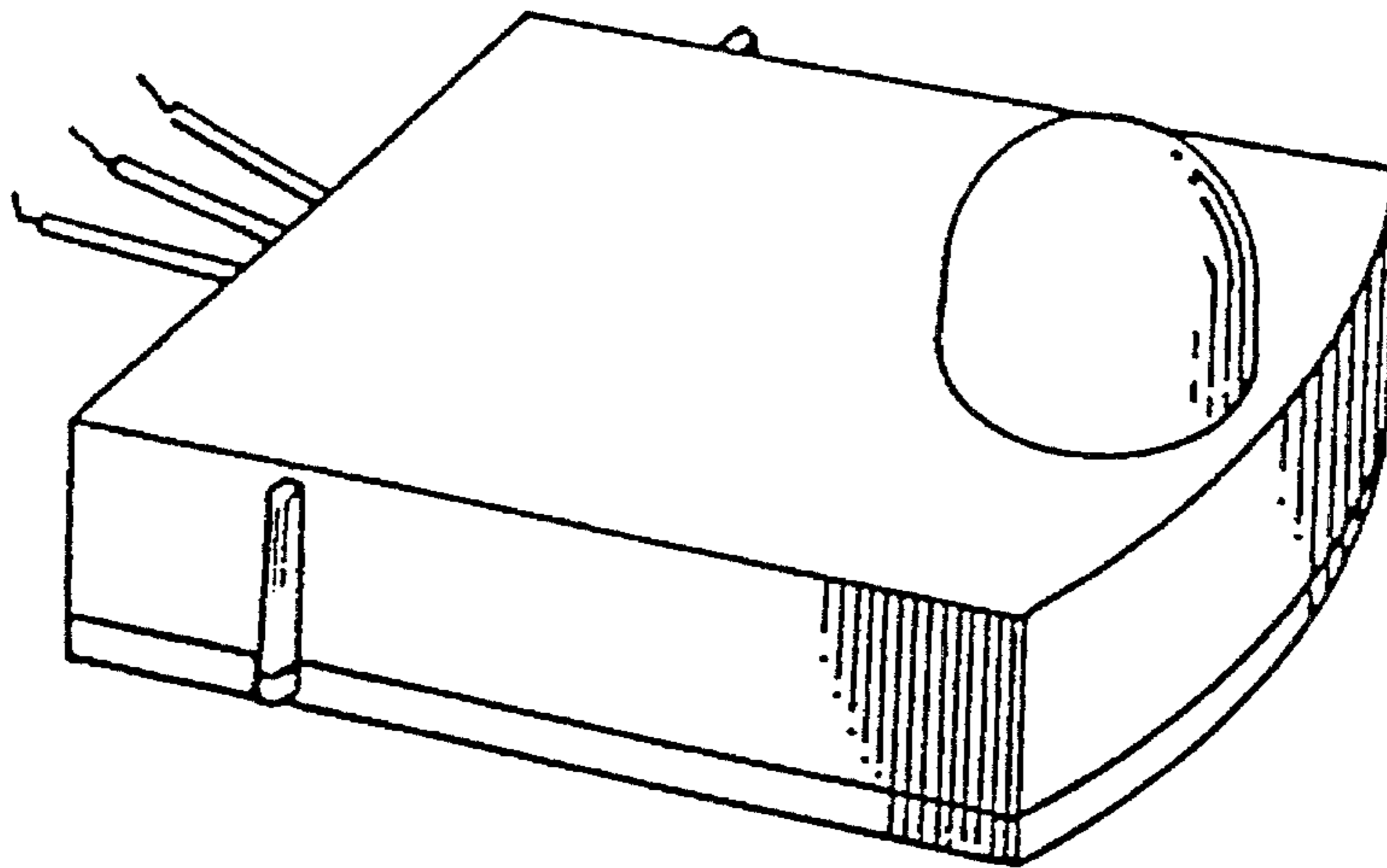


Fig. 1

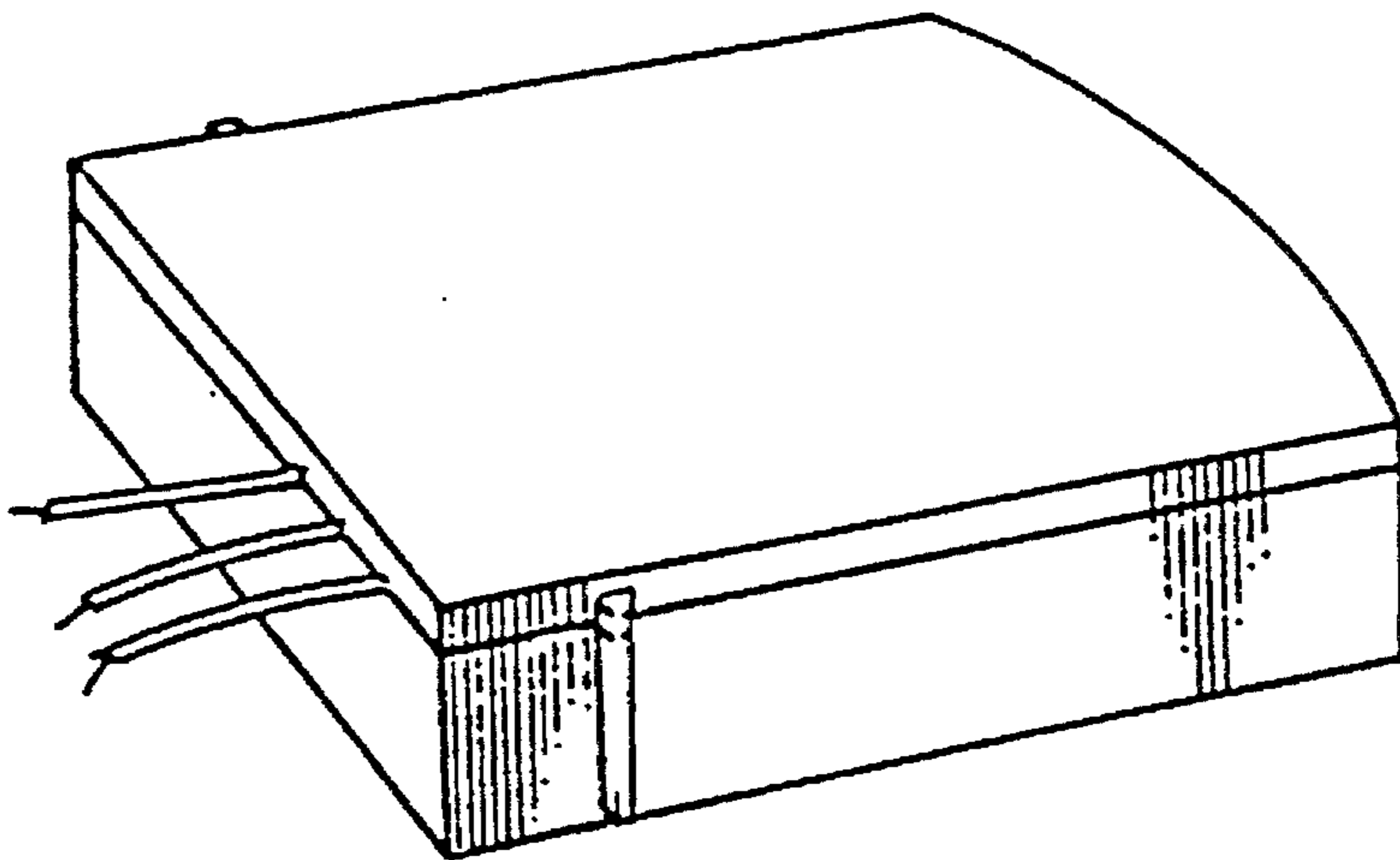


Fig. 2