



US00D363888S

United States Patent [19] Williamson

[11] Patent Number: **Des. 363,888**
[45] Date of Patent: ****Nov. 7, 1995**

[54] **GAUGE**
[75] Inventor: **Cecil M. Williamson**, Carrollton, Tex.
[73] Assignee: **Rochester Gauges, Inc.**, Dallas, Tex.
[**] Term: **14 Years**

4,864,273 9/1989 Tsuzuki et al. 338/174
4,911,011 3/1990 Fekete et al. 73/313
4,967,181 10/1990 Iizuka et al. 340/450.2
4,987,400 1/1991 Fekete 338/164
5,050,433 9/1991 Lumetta 73/313

[21] Appl. No.: **18,104**
[22] Filed: **Jan. 28, 1994**

FOREIGN PATENT DOCUMENTS

1380031 1/1975 United Kingdom .

OTHER PUBLICATIONS

Rochester Gauges, Inc., "Junior® EZ-Read TwinSite™ Two-Terminal Sender," May 27, 1992, 2 pages.
Rochester Gauges, Inc., Various Gauges Aug. 1993, one page.

Primary Examiner—Antoine Duval Davis
Attorney, Agent, or Firm—Richards, Medlock & Andrews

Related U.S. Application Data

[63] Continuation-in-part of Ser. No. 959,227, Nov. 16, 1992, abandoned.
[52] **U.S. Cl.** **D10/96**
[58] **Field of Search** D10/96-101; 73/305-322, 73/866.3, 304 R; 374/165, 163, 164, 166, 167, 208, 210

[57] CLAIM

The ornamental design for a gauge, as shown and described.

[56] References Cited

DESCRIPTION

U.S. PATENT DOCUMENTS

D. 313,949 1/1991 Fekete D10/101
447,129 2/1891 Cooper D10/57 X
1,141,926 6/1915 Bolin et al. D10/57 X
1,304,022 5/1919 Cole .
1,316,341 9/1919 Vosika .
2,992,560 7/1961 Morgan et al. 73/317
3,132,331 5/1964 Boddy 340/244
3,364,321 1/1968 Gessner 200/83
3,688,795 9/1972 Taylor 137/558
3,709,038 1/1973 Werner 73/313
3,739,641 6/1973 Taylor et al. 73/313
4,223,190 9/1980 Olson 200/84 R

FIG. 1 is a perspective view of the gauge showing my new design;
FIG. 2 is a front view of the gauge;
FIG. 3 is a side view of the gauge;
FIG. 4 is a back view of the gauge;
FIG. 5 is a top view of the gauge; and,
FIG. 6 is a bottom view of the gauge.
The broken line showing of an electrical lead is for illustrative purposes only and forms no part of the claim design.

1 Claim, 1 Drawing Sheet

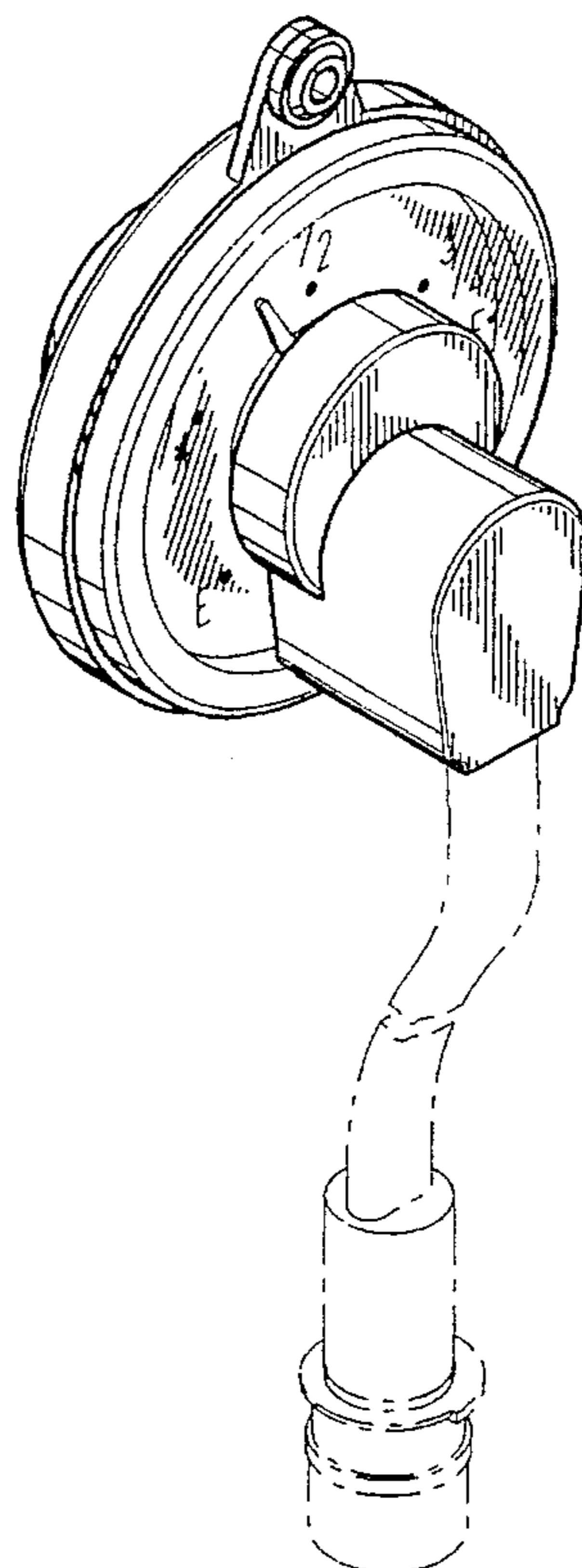


FIG. 1

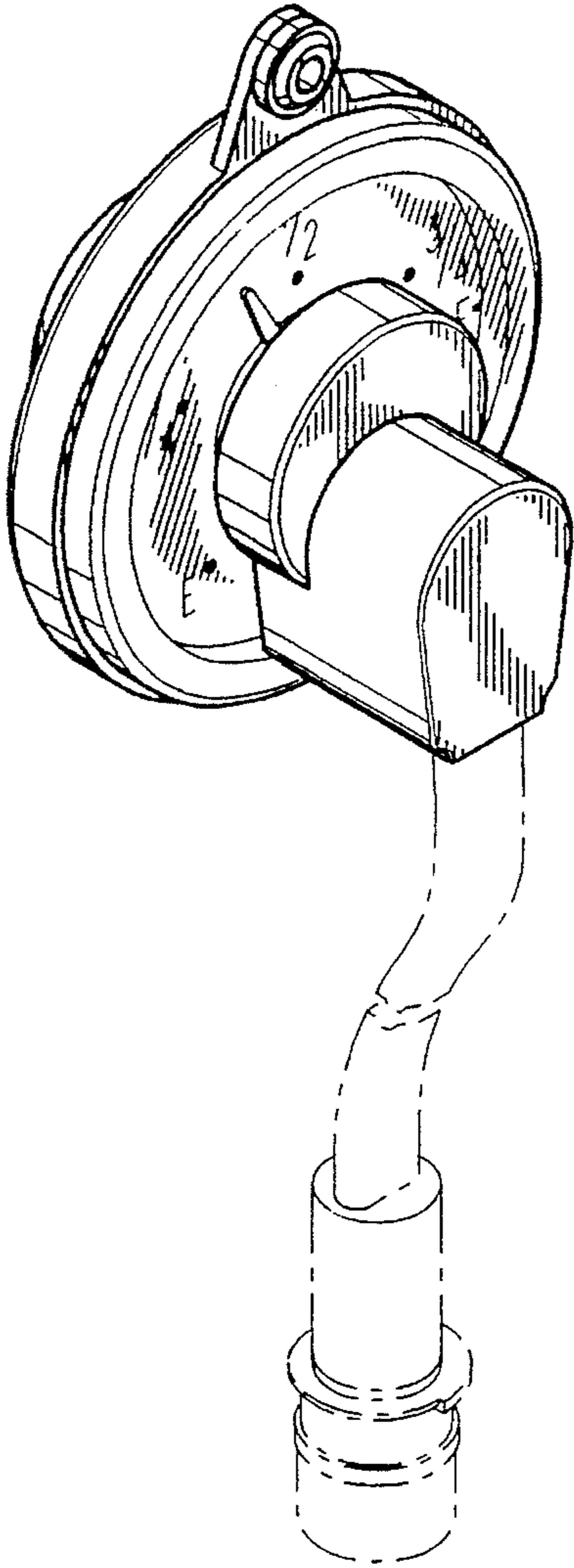


FIG. 2

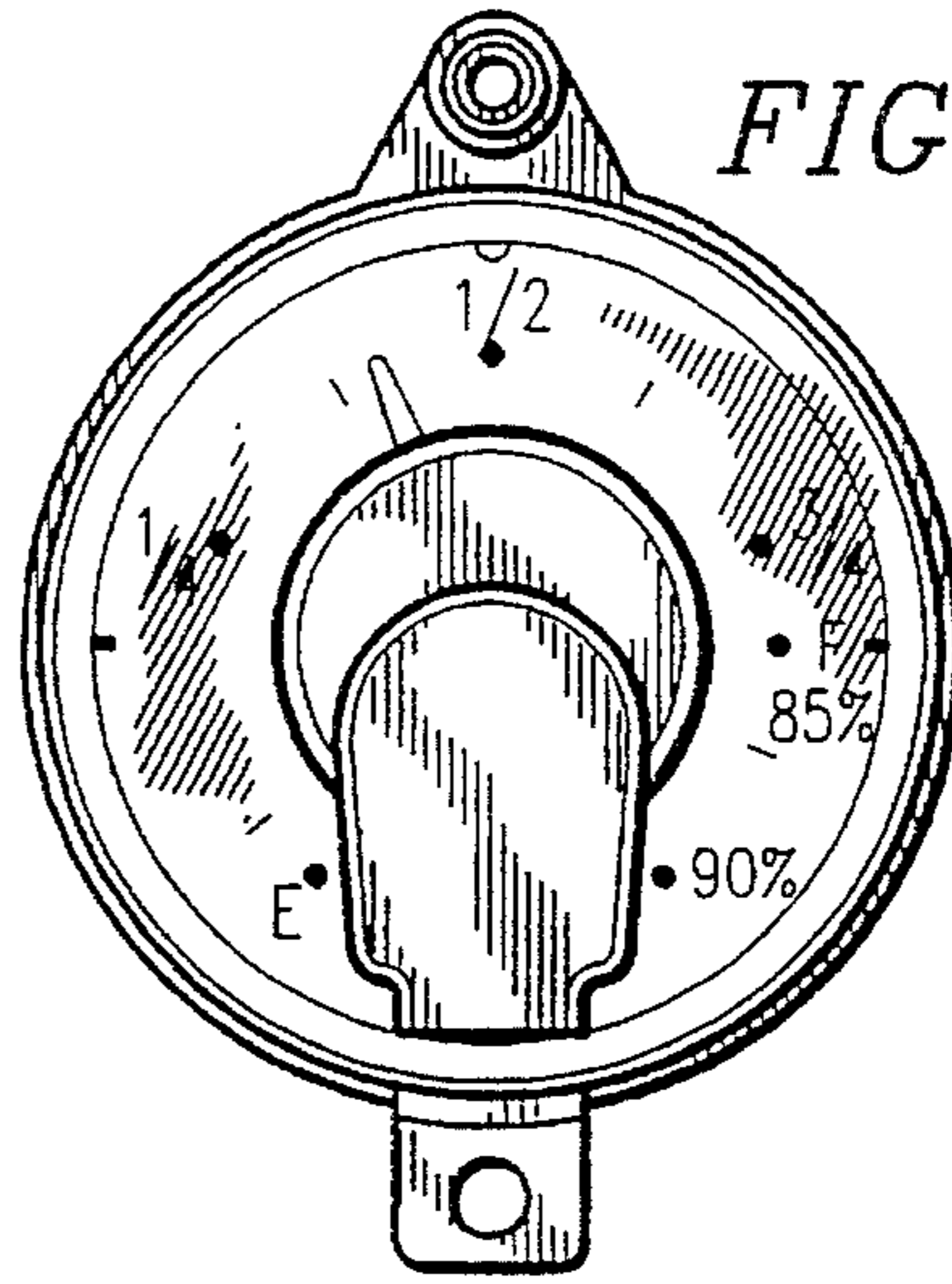


FIG. 3

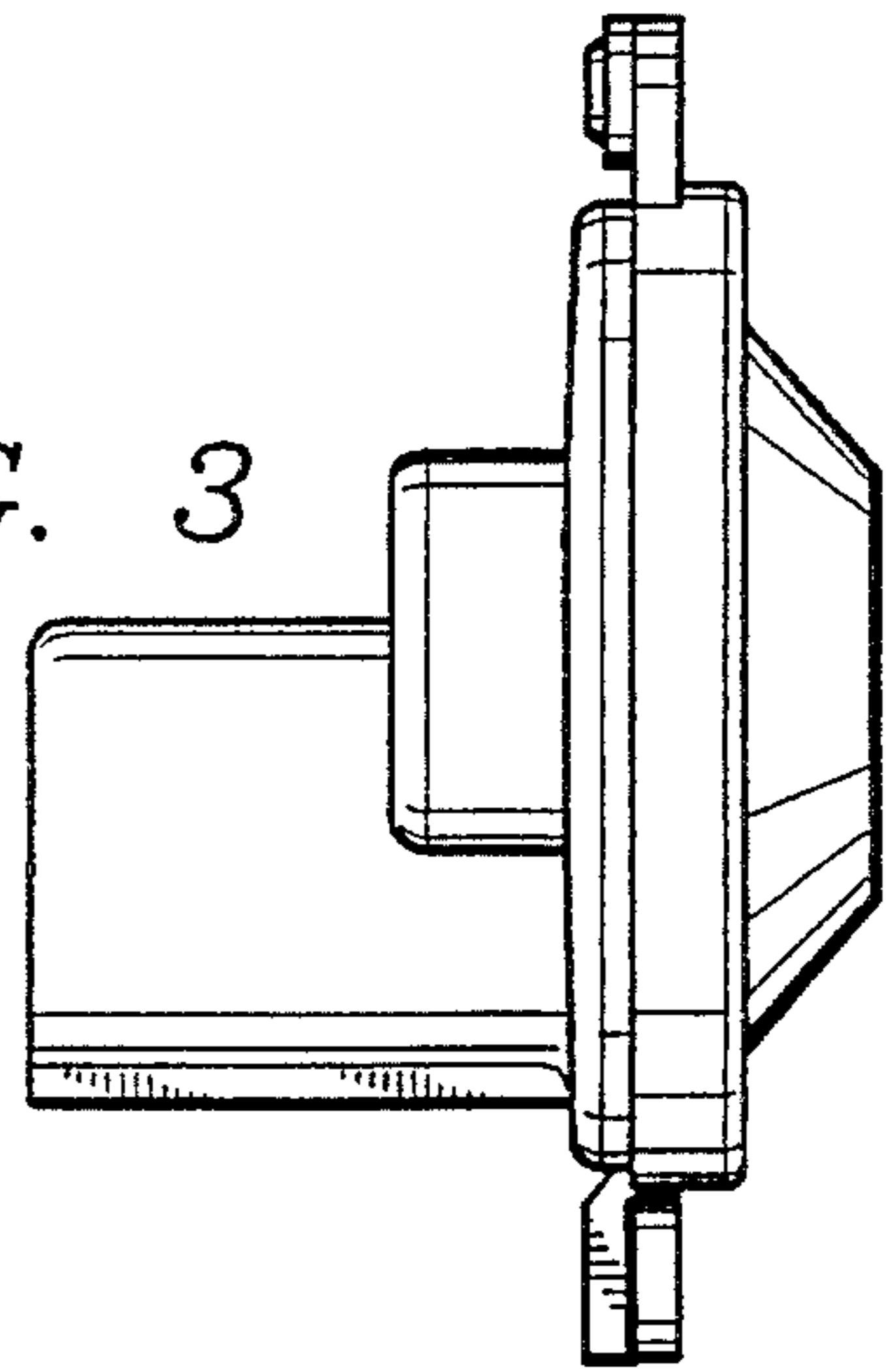


FIG. 4

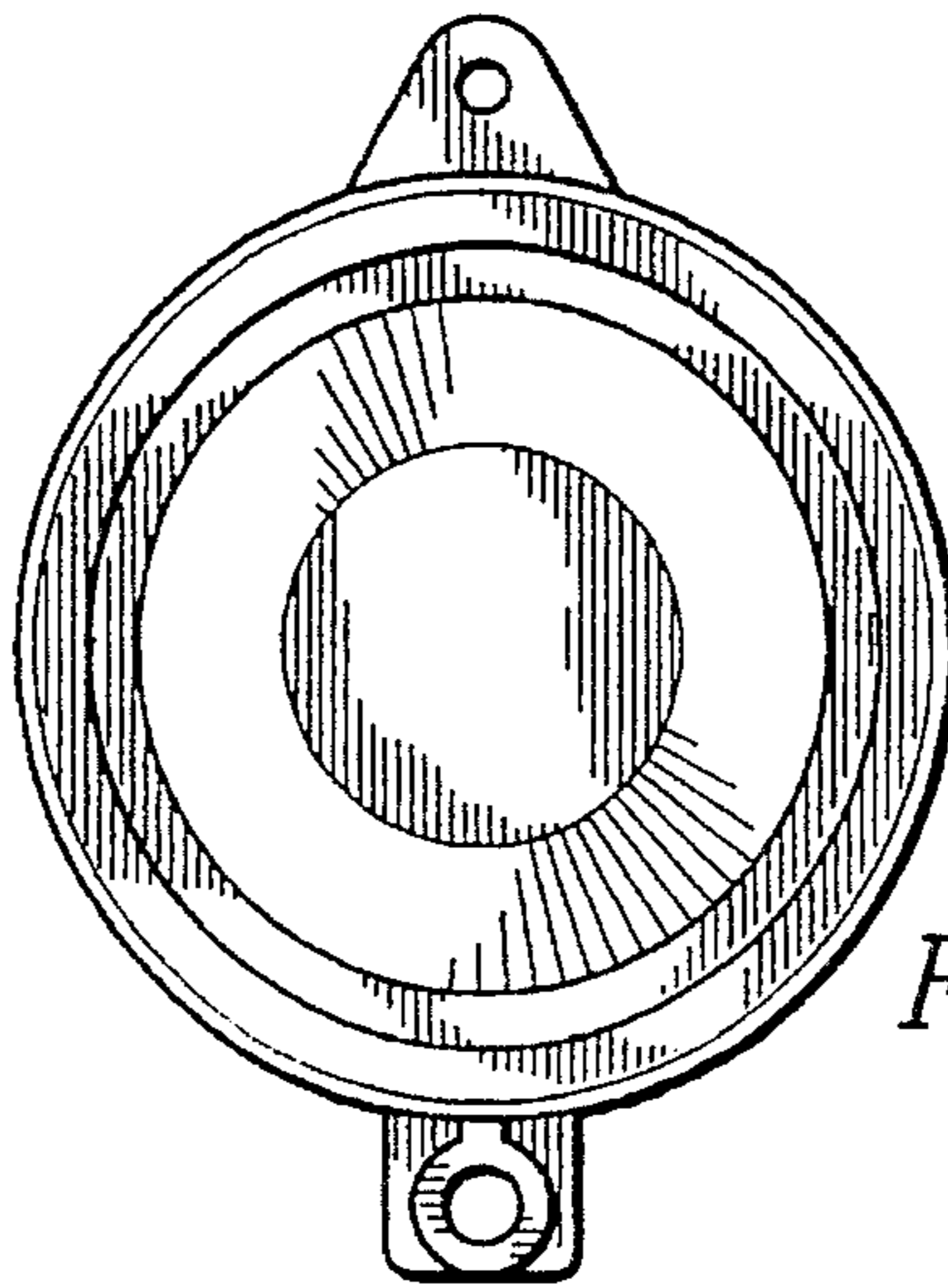


FIG. 5

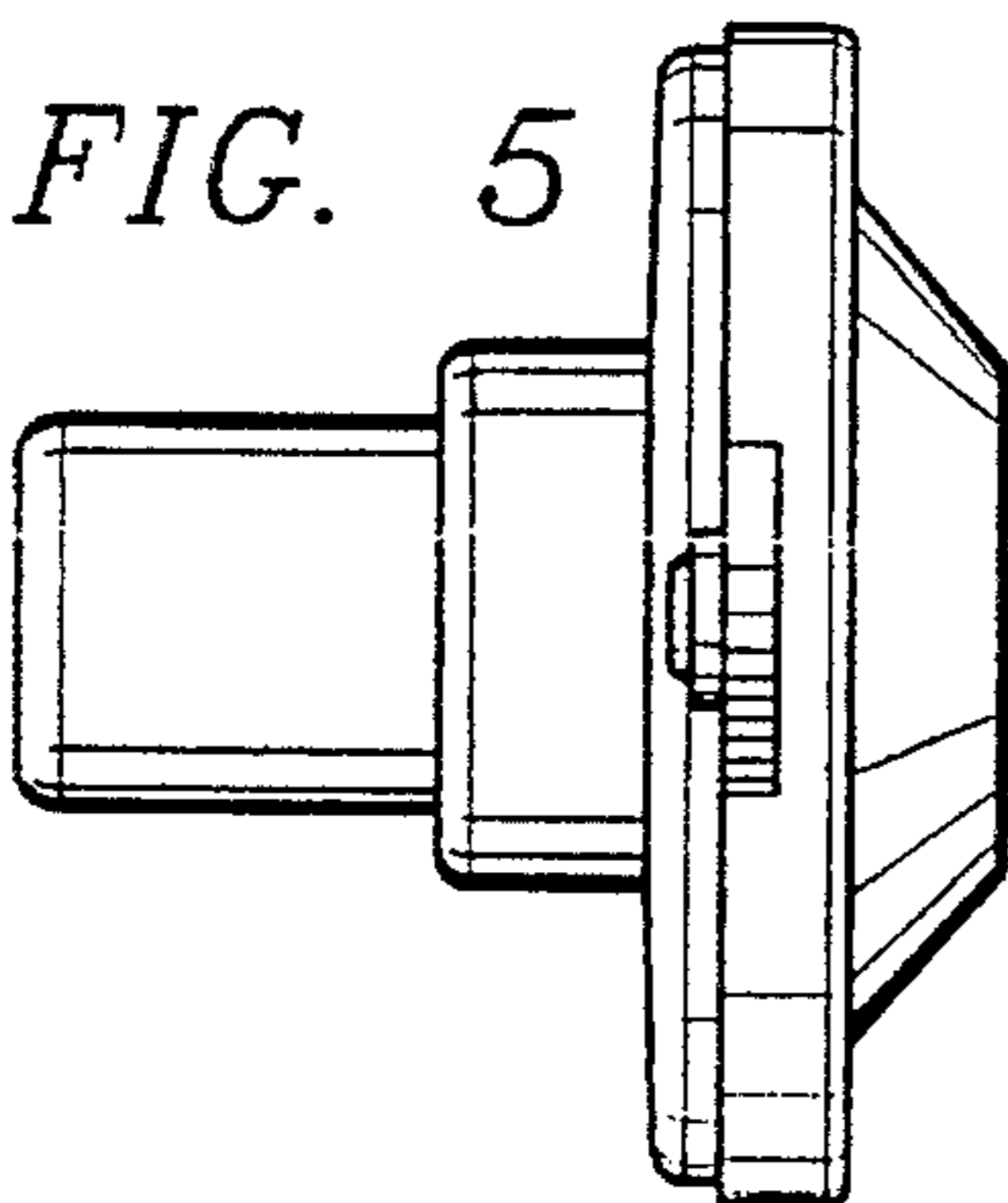


FIG. 6

