



US00D363887S

United States Patent [19]
Middlebrook

[11] **Patent Number: Des. 363,887**

[45] **Date of Patent: **Nov. 7, 1995**

[54] **MASS AIR FLOW UNIT**

[76] Inventor: **James K. Middlebrook**, 5351 Bonsai Ave., Moorpark, Calif. 93021

[**] Term: **14 Years**

[21] Appl. No.: **14,656**

[22] Filed: **Oct. 26, 1993**

[52] U.S. Cl. **D10/96**

[58] Field of Search D10/96; 73/118.2,
73/204.11-204.27, 202.5, 861.74, 861.82;
123/422, 444, 488, 492, 494; 137/830,
831

[56] **References Cited**

U.S. PATENT DOCUMENTS

- D. 343,364 1/1994 Beulke D10/96
- D. 343,365 1/1994 Beulke D10/96
- D. 349,862 8/1994 Hausler et al. D10/96

- D. 350,491 9/1994 Hausler et al. D10/96
- 4,304,128 12/1981 Hafner et al. 73/204.22
- 5,048,327 9/1991 Atwood 73/204.21 X
- 5,253,517 10/1993 Molin et al. 73/118.2

Primary Examiner—Antoine Duval Davis
Attorney, Agent, or Firm—Wagner & Middlebrook

[57] **CLAIM**

The ornamental design for a mass air flow unit, as shown.

DESCRIPTION

FIG. 1 is a perspective view of a mass air flow unit of this invention;

FIG. 2 is an inlet end elevational view thereof;

FIG. 3 is an outlet end elevational view thereof;

FIG. 4 is a top plan view thereof;

FIG. 5 is a bottom plan view thereof;

FIG. 6 is a left side elevational view thereof; and,

FIG. 7 is a right side elevational view thereof.

1 Claim, 2 Drawing Sheets

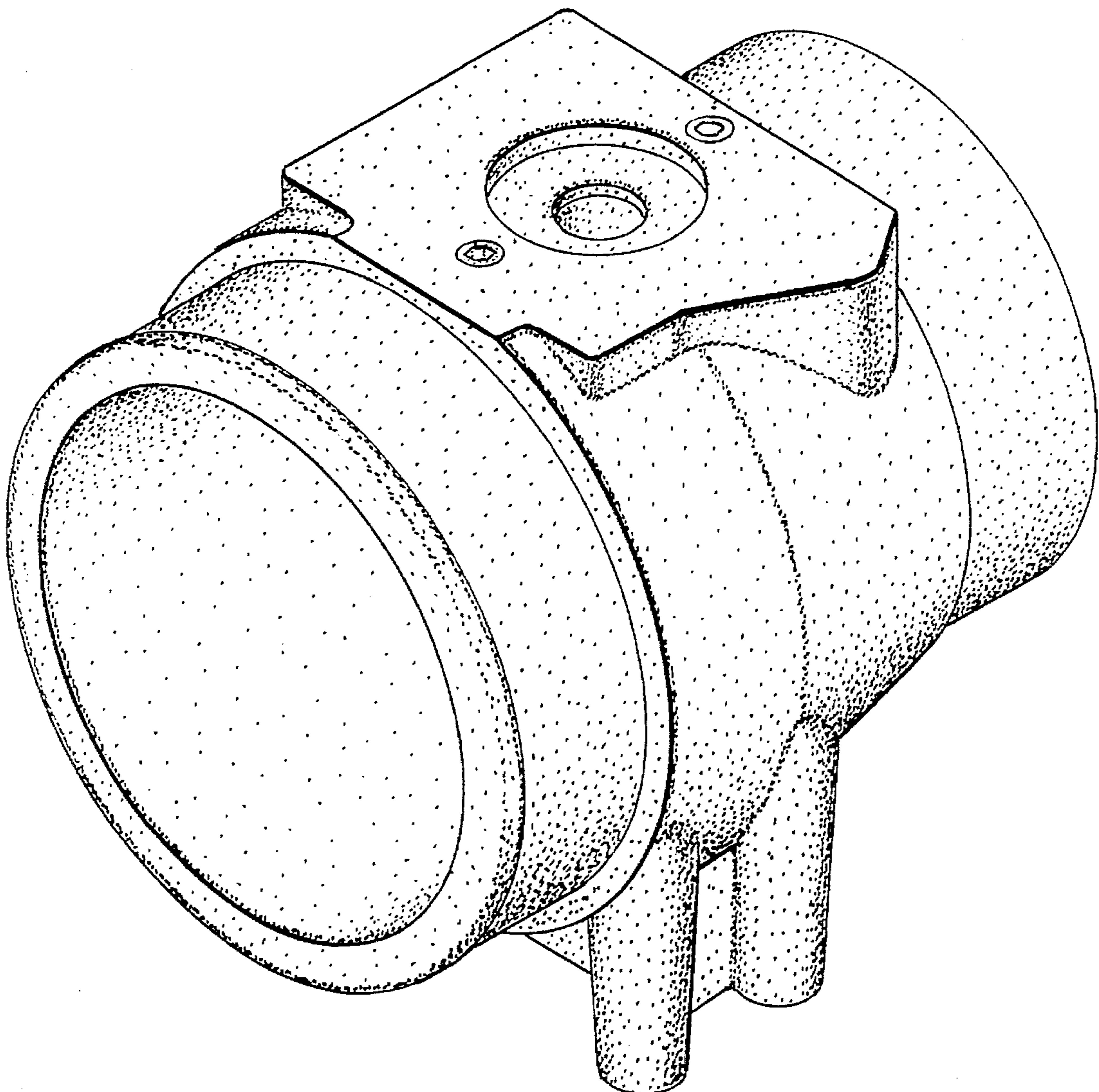


FIG. 1

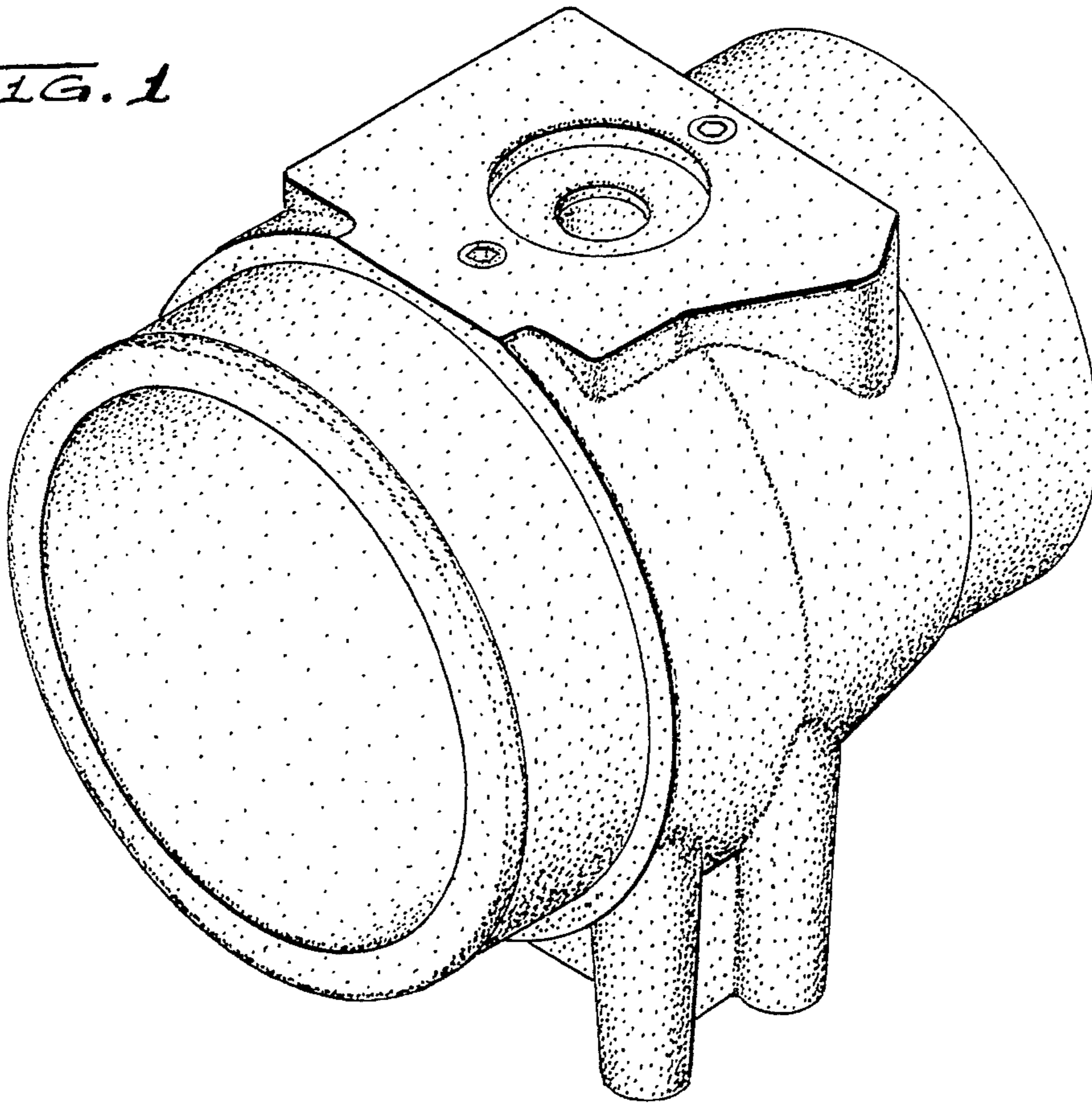


FIG. 2

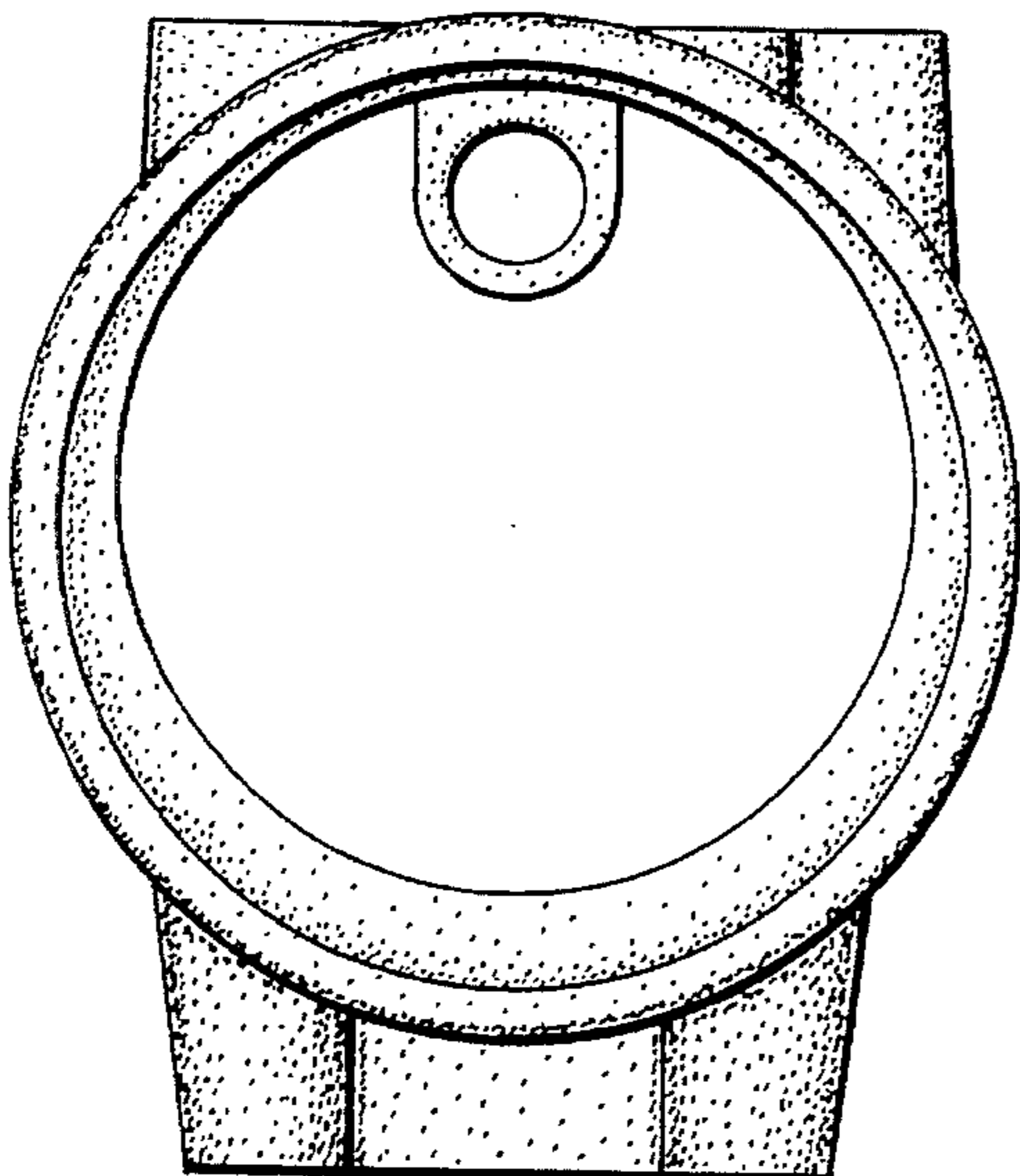
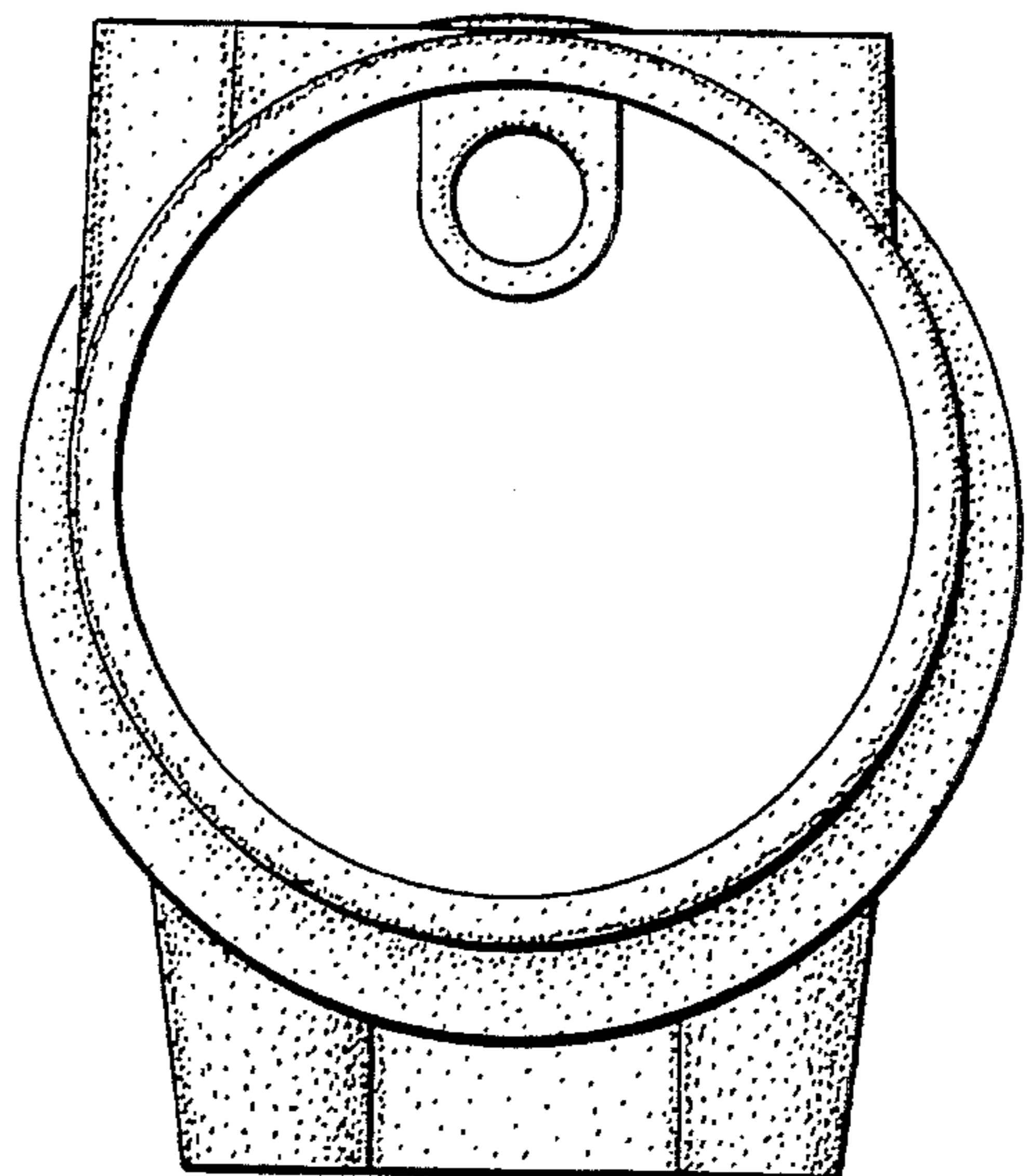


FIG. 3



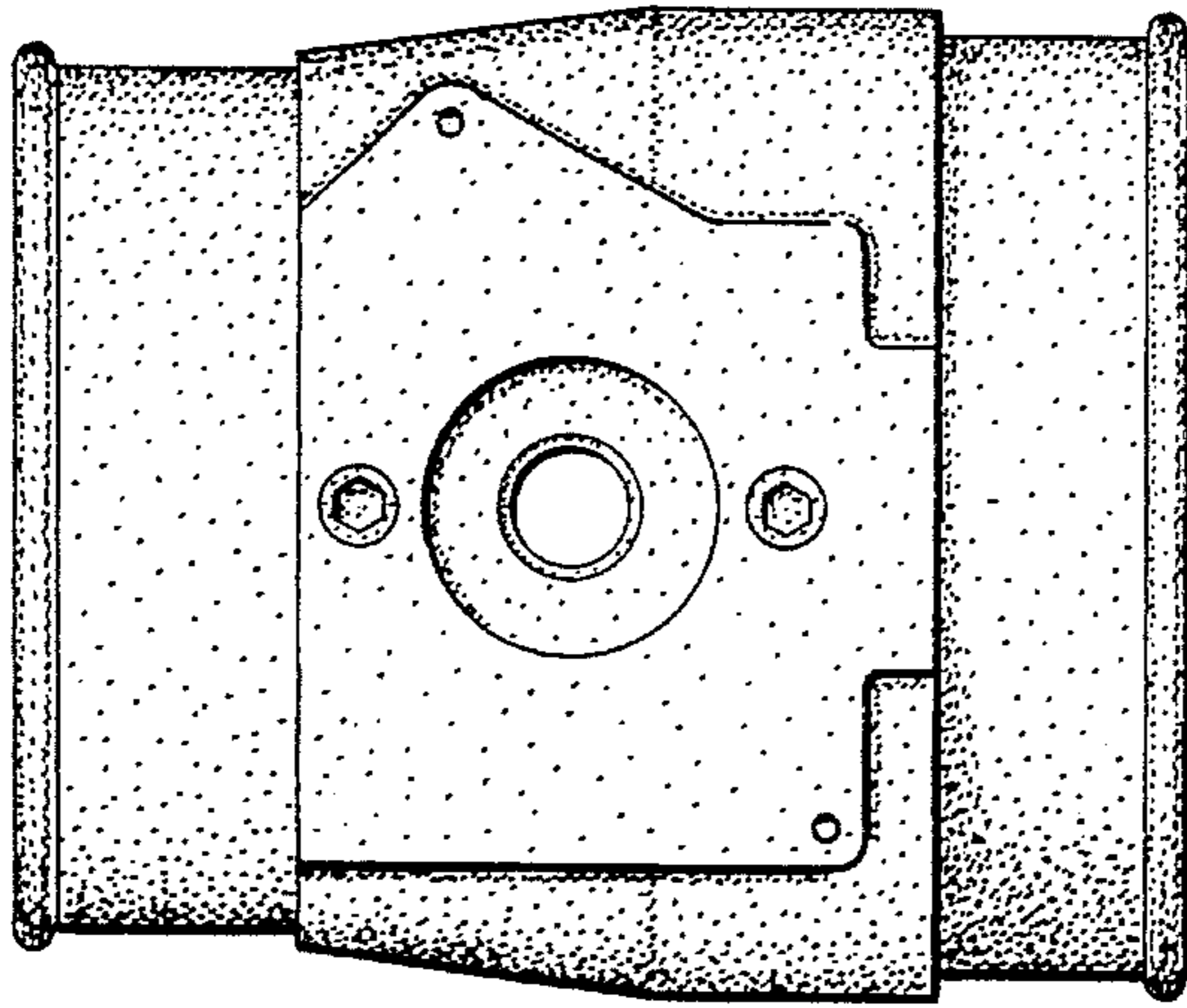


FIG. 4

FIG. 5

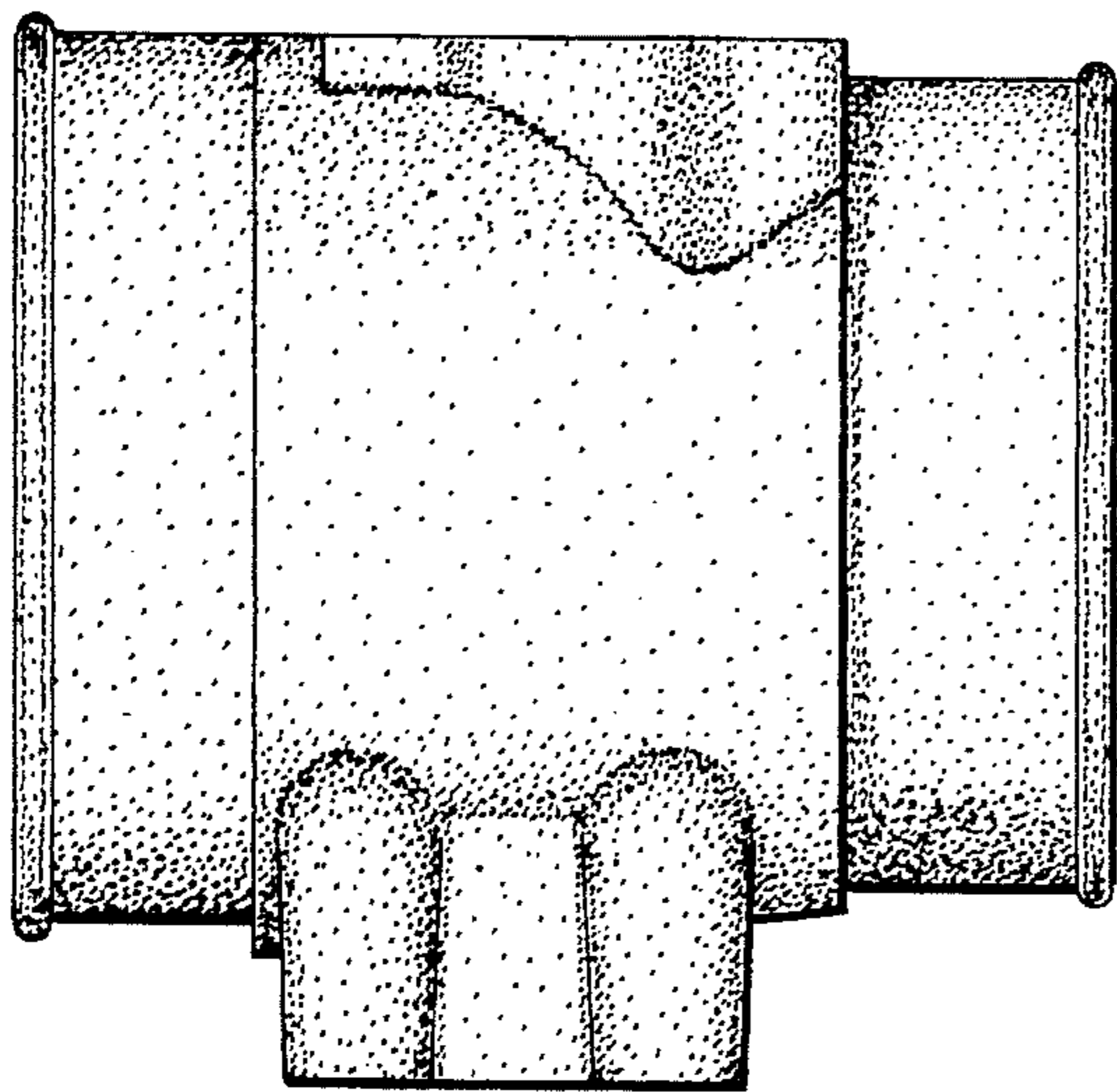
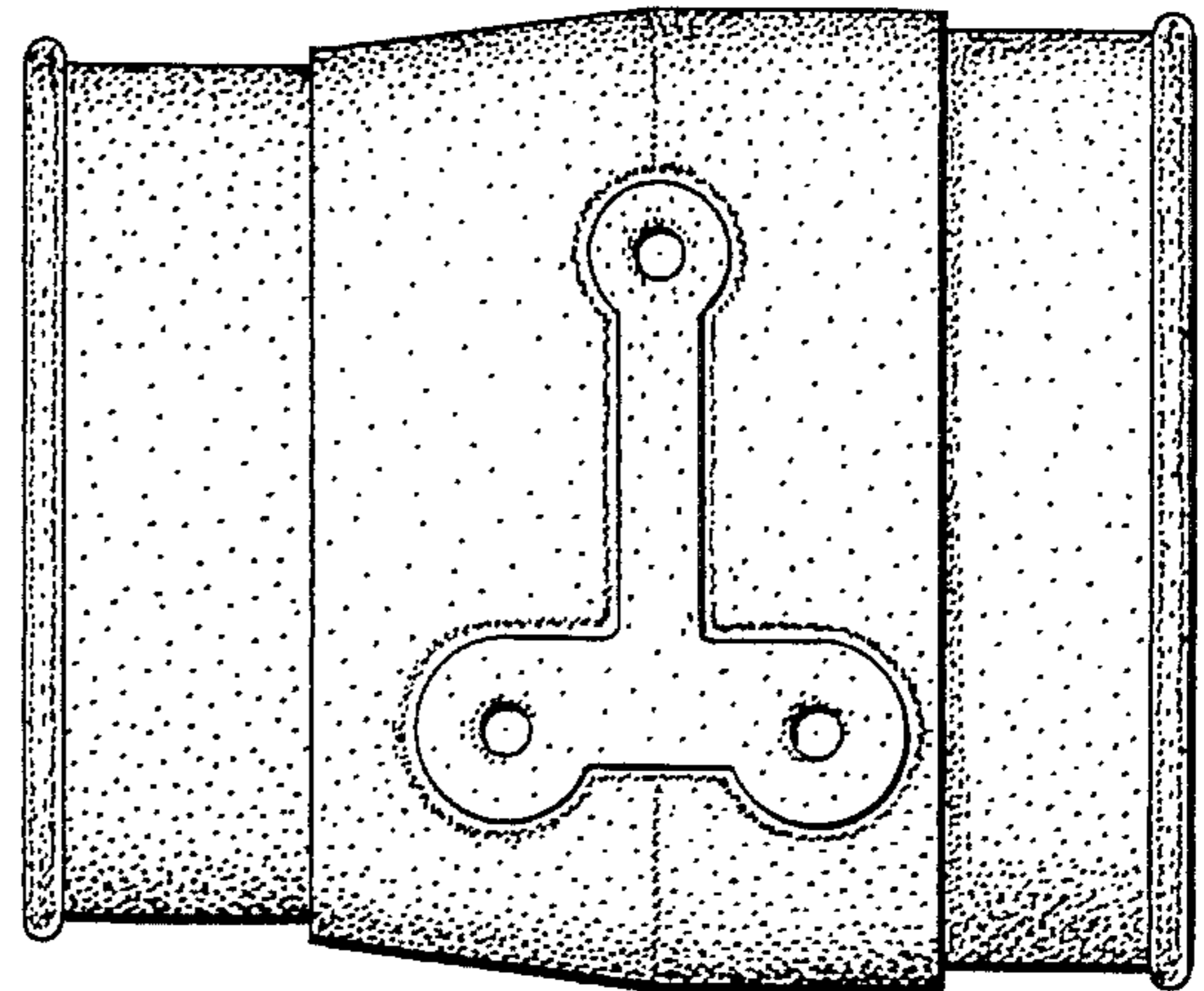


FIG. 6

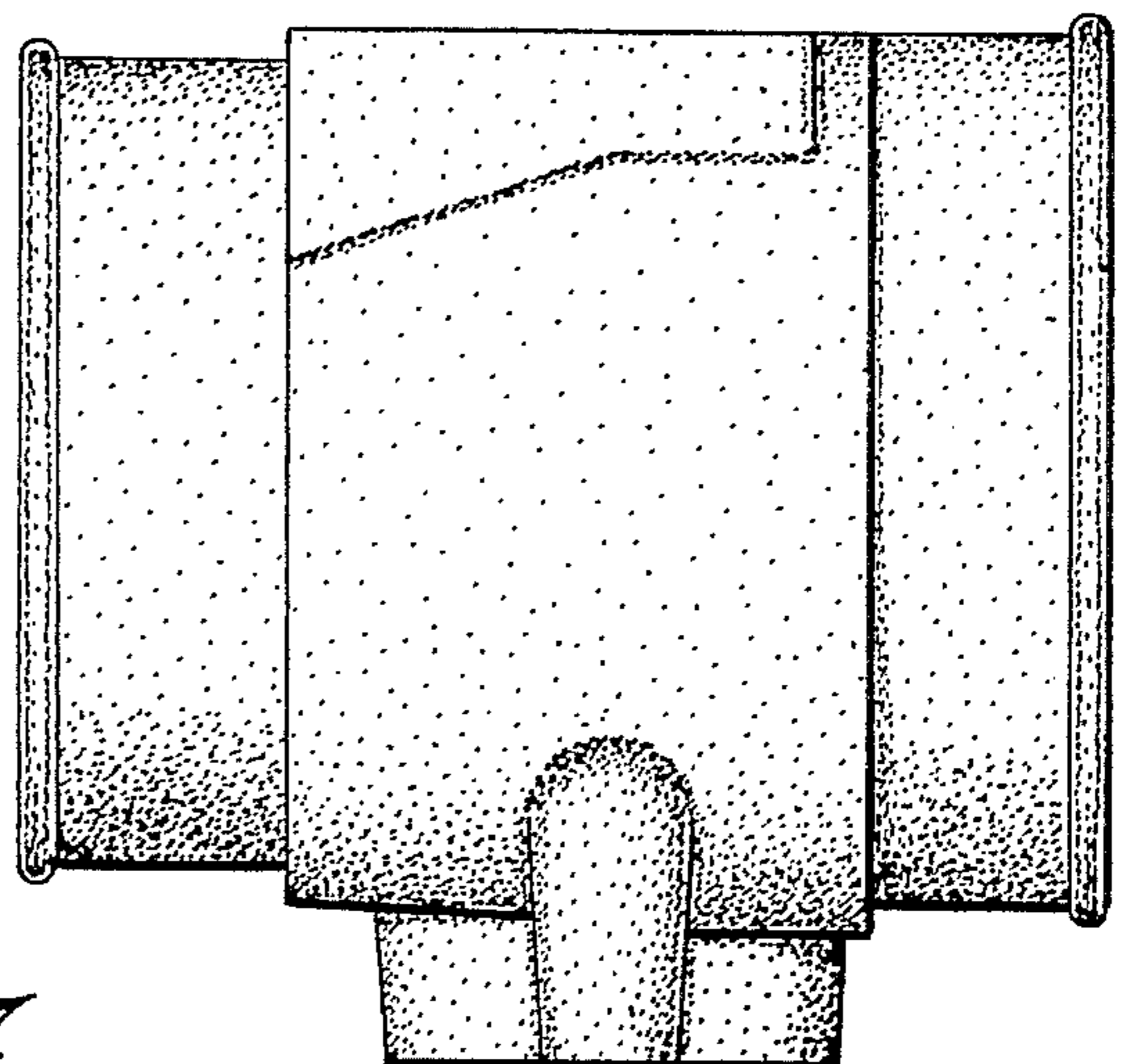


FIG. 7