



US00D363879S

# United States Patent [19]

[11] Patent Number: **Des. 363,879**

**Krupa et al.**

[45] Date of Patent: **\*\*Nov. 7, 1995**

[54] **BLUEBERRY CONTAINER**

[76] Inventors: **Calvin S. Krupa**, 750 Navajo Rd.,  
Medina, Minn. 55340; **Robert Knoss**,  
19081 Hopi St., Anoka, Minn. 55303

[\*\*] Term: **14 Years**

[21] Appl. No.: **29,338**

[22] Filed: **Oct. 3, 1994**

[52] U.S. Cl. .... **D9/423; D9/425**

[58] Field of Search ..... D9/423, 424, 425,  
D9/432, 420; D3/201, 294; 220/669, 670,  
671, 675, 674, DIG. 27, 623, 4.22, 4.23,  
339, 307, 326, 324, 334; 229/120, DIG. 14,  
2.5 R

3,393,858	7/1968	Heel .	
3,480,197	11/1969	Massey .	
3,524,431	8/1970	Reid .	
3,987,829	10/1976	Leone .....	220/675 X
4,197,958	4/1980	Zeni et al. .	
4,261,505	4/1981	Matsui .	
4,664,281	5/1987	Falk et al. ....	220/669 X
4,884,739	12/1989	Nederveld .	
5,046,659	9/1991	Warburton .....	220/4.23 X

*Primary Examiner*—Prabhakar G. Deshmukh  
*Attorney, Agent, or Firm*—Haugen and Nikolai

## [57] CLAIM

The ornamental design for the blueberry container, as shown and described.

## DESCRIPTION

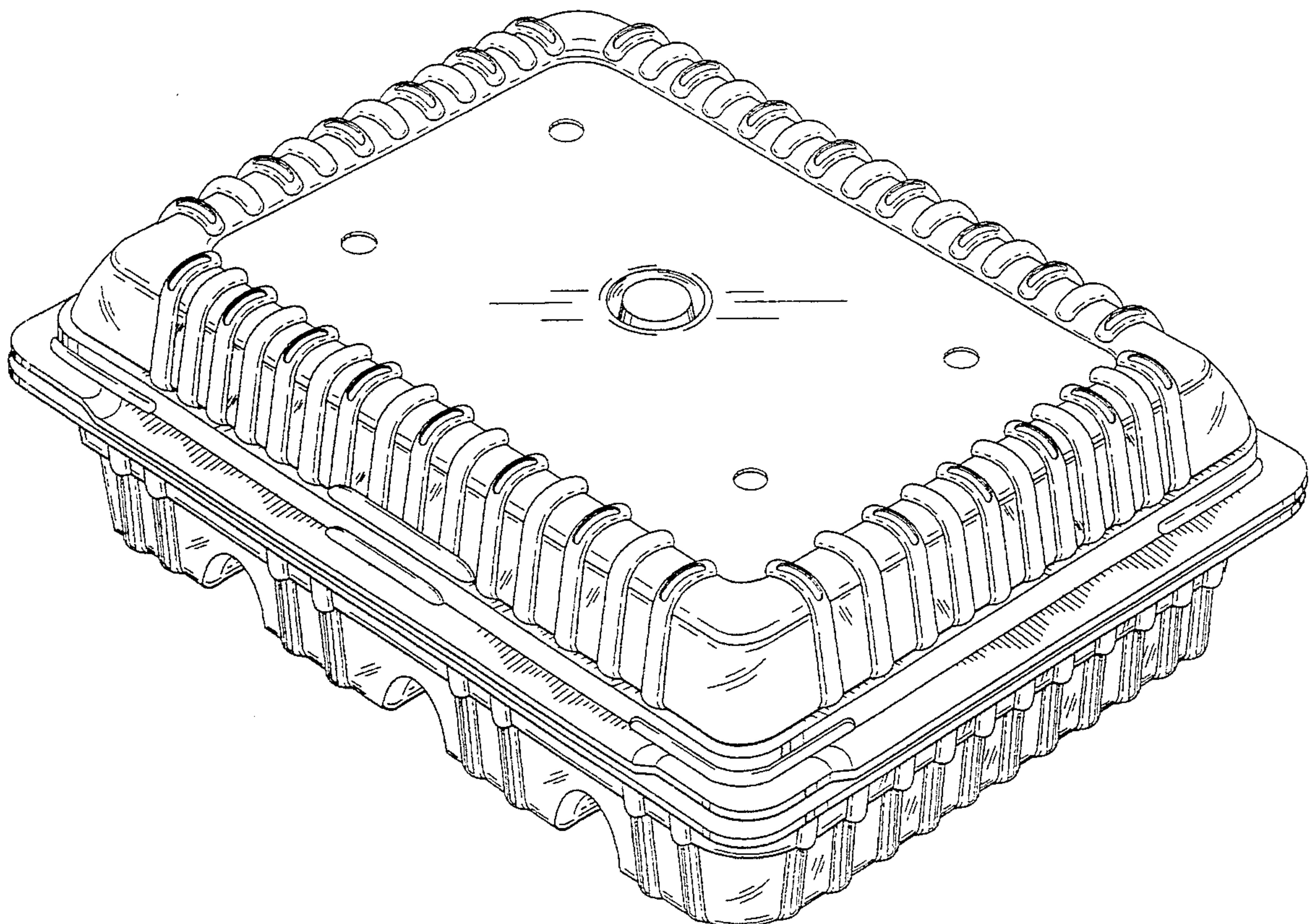
FIG. 1 is a perspective view of a blueberry container showing our new design;  
FIG. 2 is a top plan view thereof;  
FIG. 3 is a bottom plan view thereof;  
FIG. 4 is a left side elevational view thereof; the right side elevational view being a mirror image thereof;  
FIG. 5 is a back elevational view thereof;  
FIG. 6 is a front elevational view thereof; and,  
FIG. 7 is a perspective view thereof, with the cover rotated open.

## [56] References Cited

### U.S. PATENT DOCUMENTS

D. 276,216	11/1984	Michaud .....	D9/431 X
D. 282,245	1/1986	Yeung .....	D9/425
D. 305,409	1/1990	Michaud et al. ....	D9/425
D. 343,576	1/1994	Krupa .....	D9/425 X
D. 354,436	1/1995	Krupa .....	D9/431 X
1,886,374	11/1932	Breton .	
1,945,878	2/1934	Breton .	
3,286,877	11/1966	Haimes .	
3,331,529	7/1967	Slapnik .	
3,344,974	10/1967	Bostrom .....	206/518 X

**1 Claim, 5 Drawing Sheets**





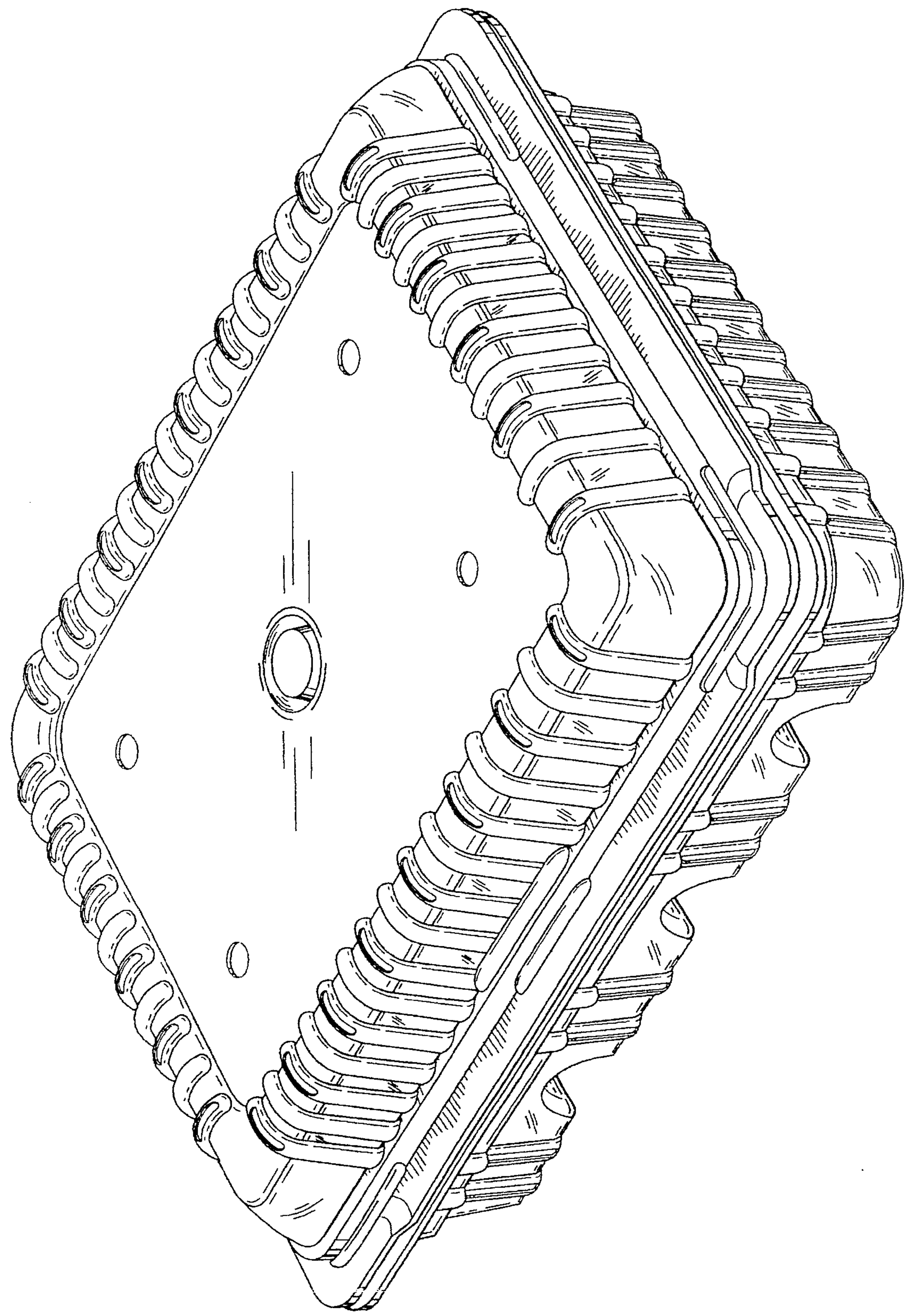
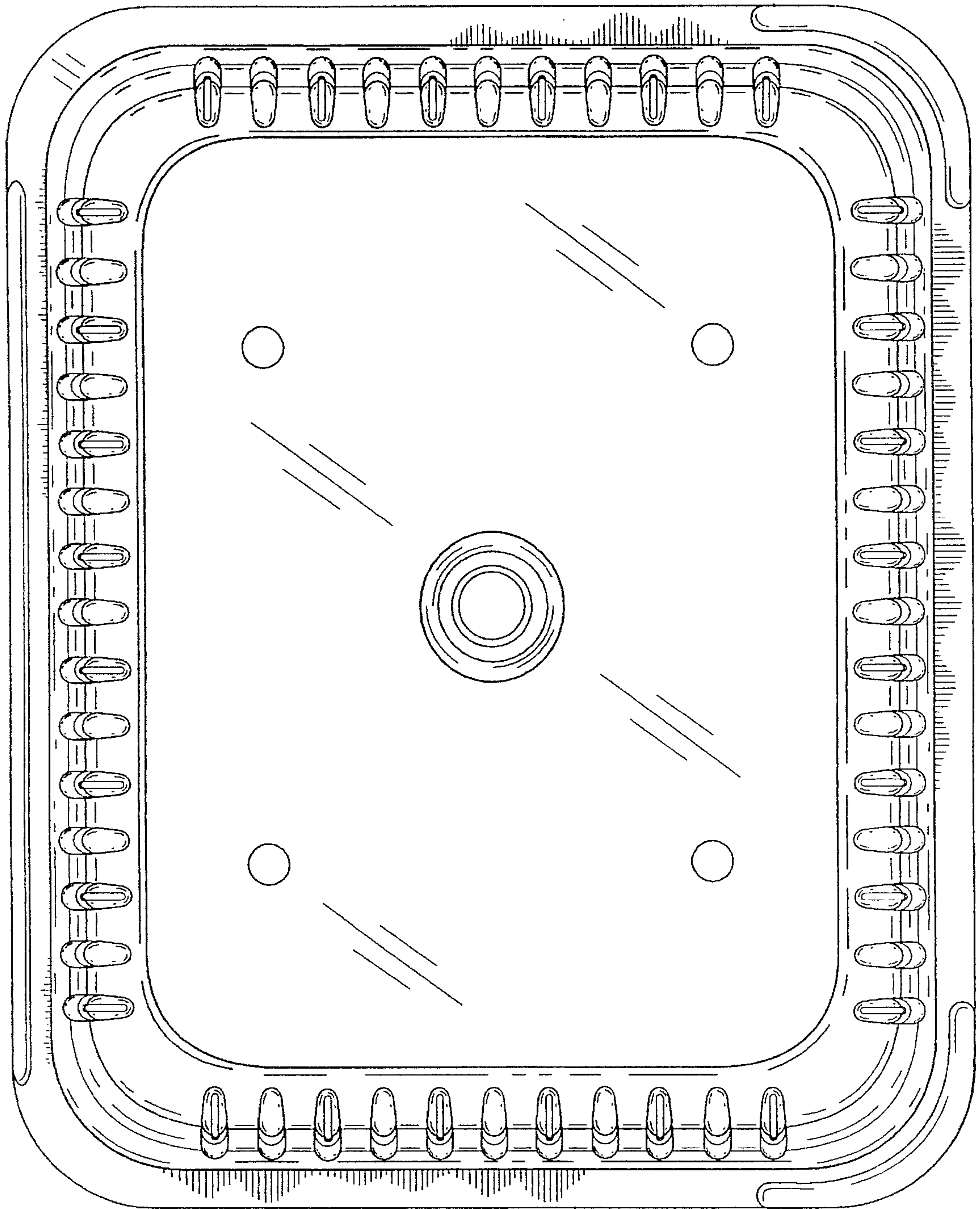


Fig. 1

Fig.2





*Fig.3*

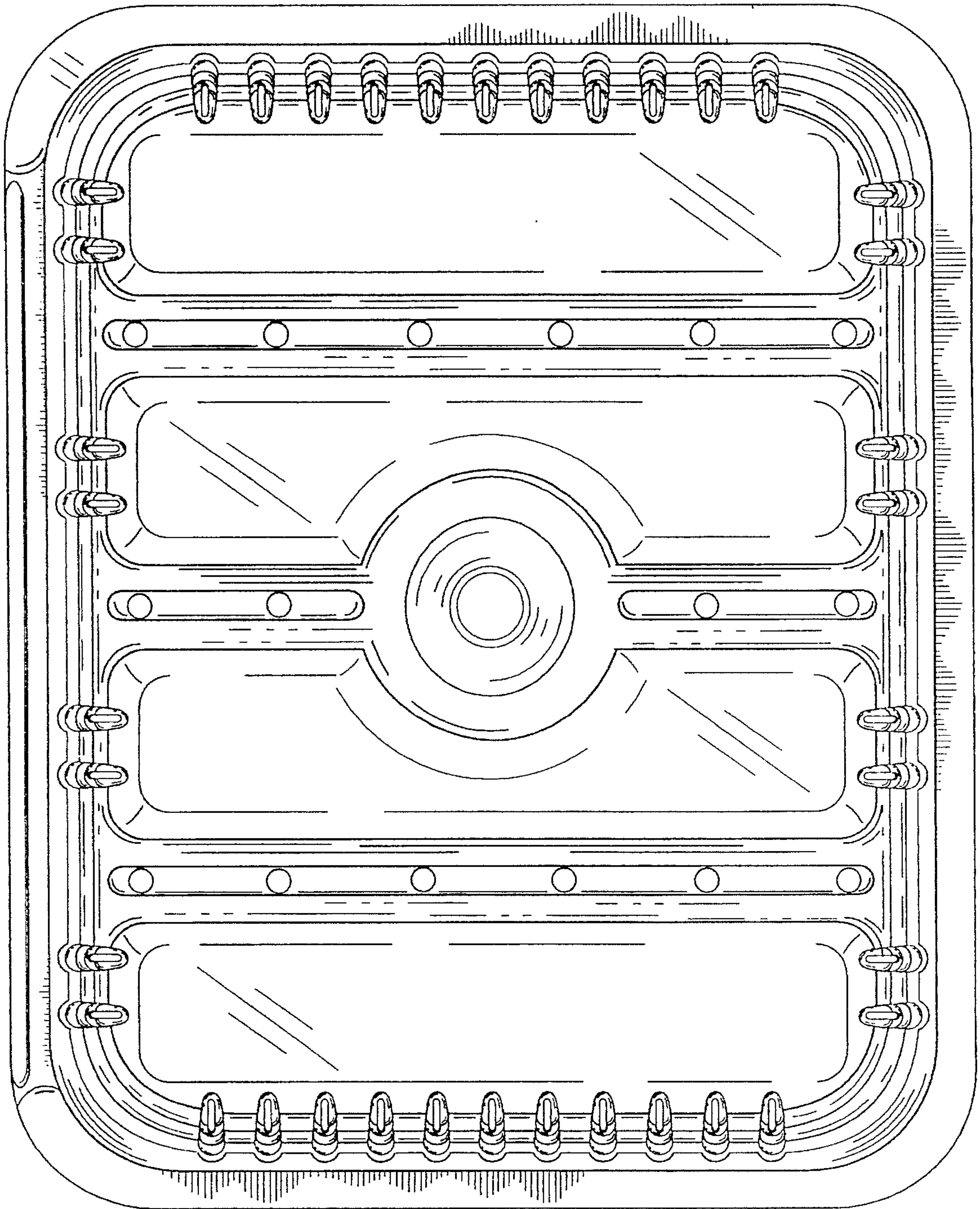


Fig.4

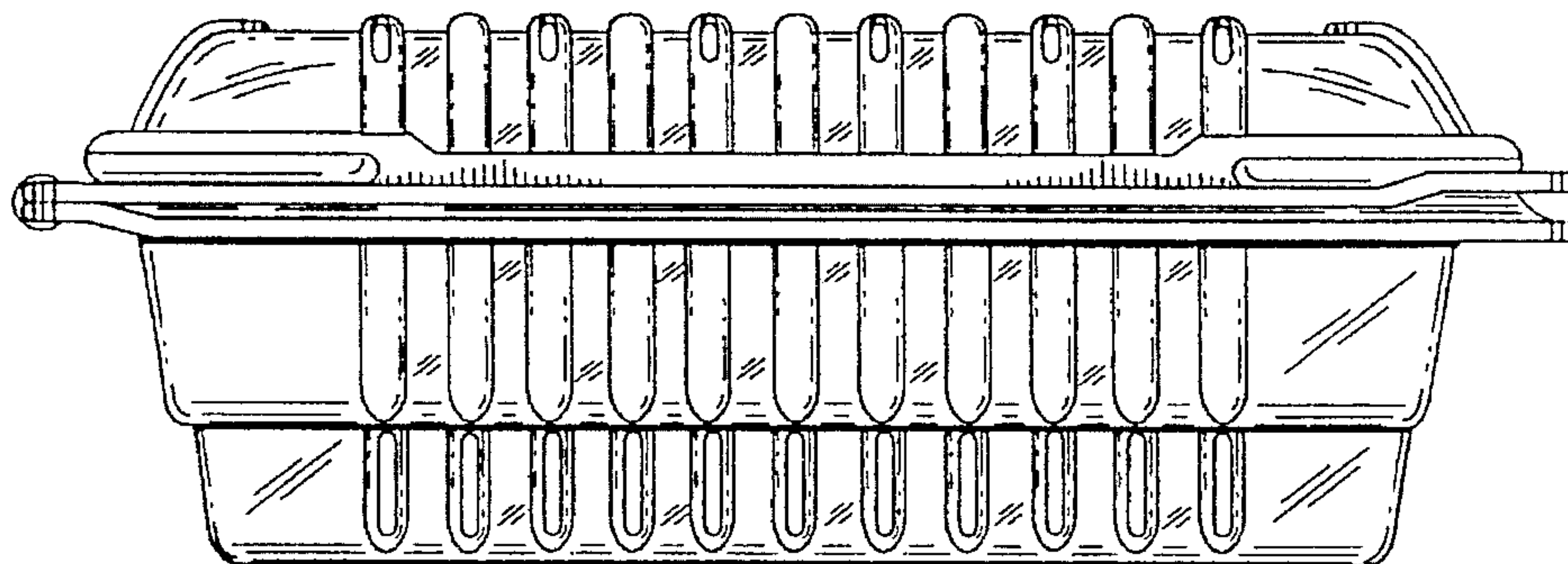


Fig.5

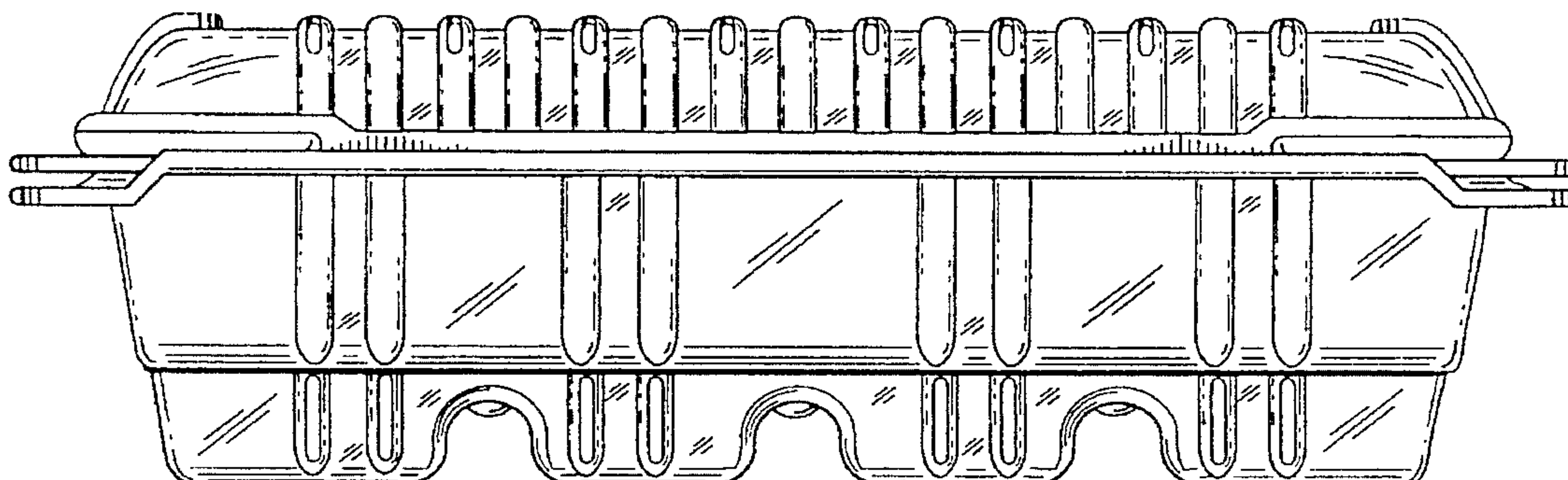
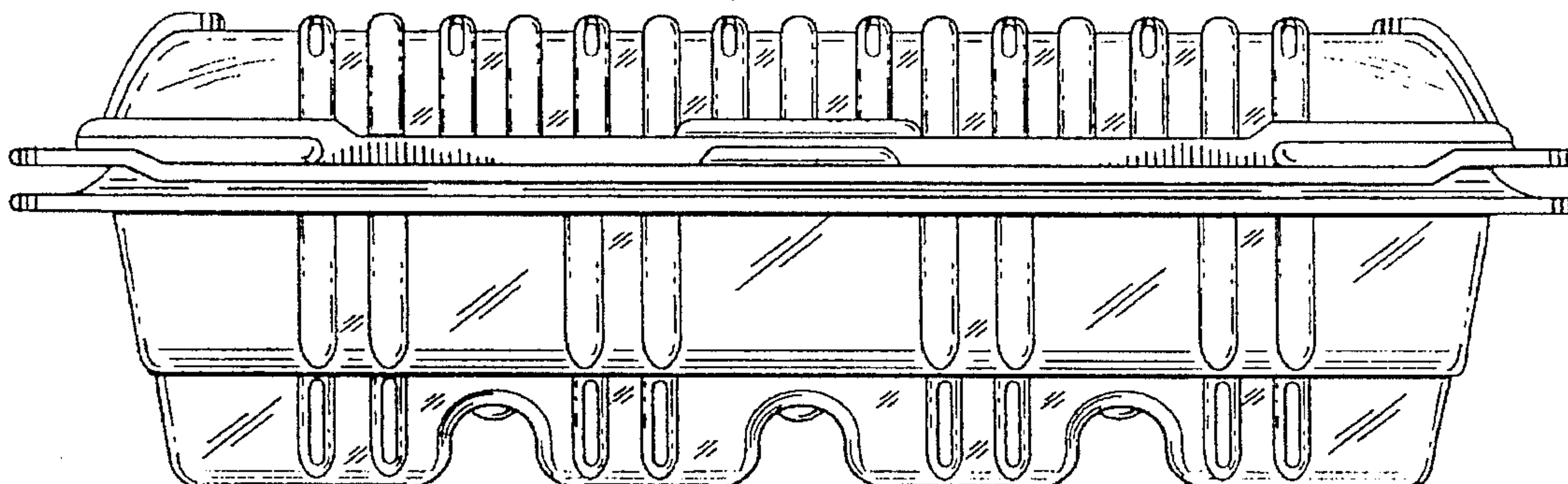


Fig.6





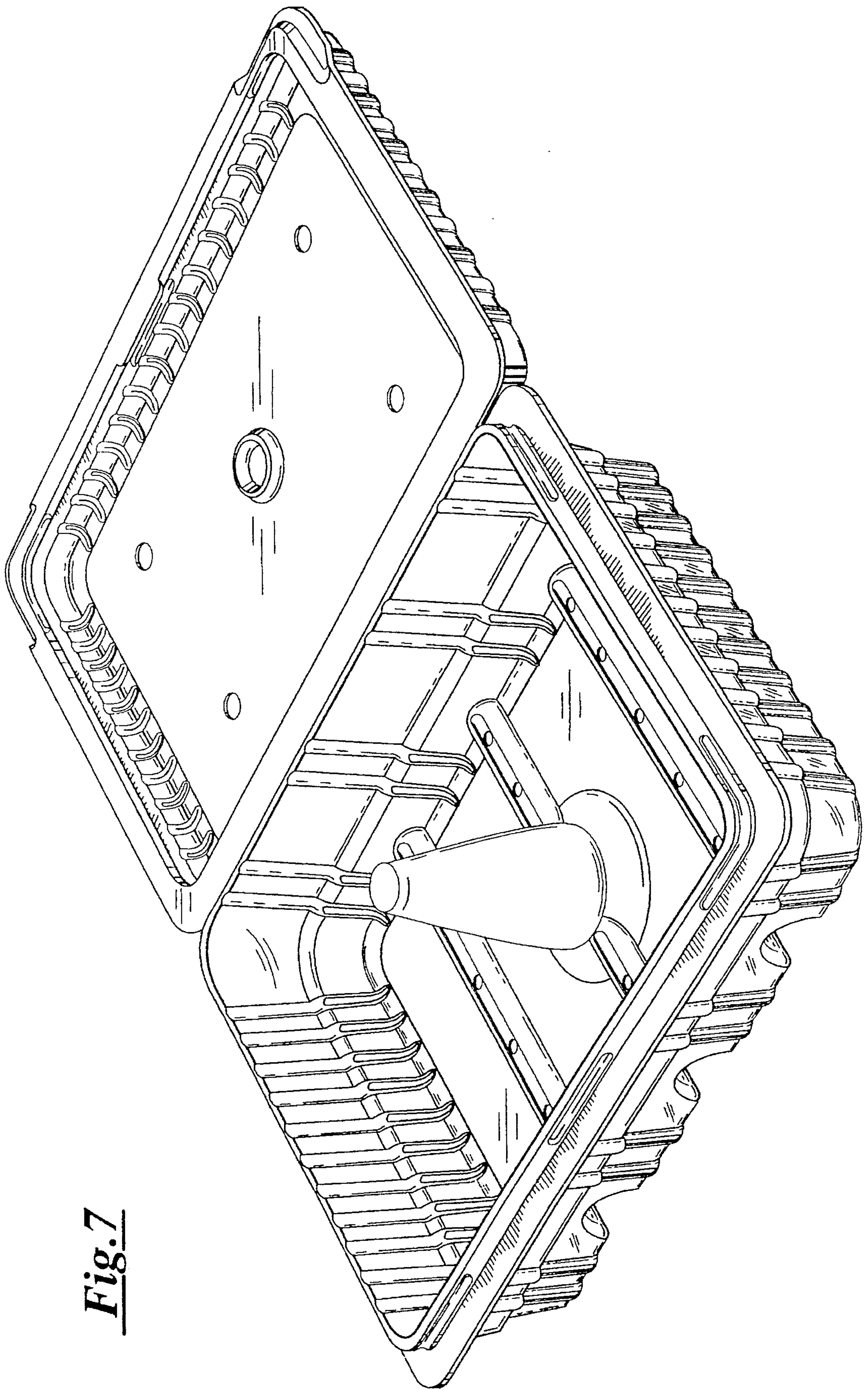


Fig. 7