



US00D363871S

United States Patent [19]

[11] **Patent Number: Des. 363,871**

Coggins

[45] **Date of Patent: **Nov. 7, 1995**

[54] **FOLDING KNIFE**

Blade Magazine, Apr. 1988, inside front cover U.S. Cutlery Ad.

[76] Inventor: **Darrell R. Coggins**, 3125 Fence Rd., Dacula, Ga. 30211

Blade Magazine, Apr. 1991, pp. 52 & 53 novelty knives.

[**] Term: **14 Years**

Primary Examiner—Ted Shooman
Assistant Examiner—Philip Hyder

[21] Appl. No.: **19,740**

[57] **CLAIM**

[22] Filed: **Mar. 10, 1994**

The ornamental design for the folding knife, as shown and described.

[52] **U.S. Cl.** **D8/100; D8/99**

[58] **Field of Search** D8/98, 99, 100, D8/105; 30/151, 152, 153, 154, 155, 156, 157, 158, 159, 160, 161, 162

DESCRIPTION

[56] **References Cited**

FIG. 1 is a front elevational view of the folding knife showing my new design;

U.S. PATENT DOCUMENTS

FIG. 2 is a rear elevational view thereof;

D. 254,288	2/1980	Pharr, Jr.	D8/99
3,896,546	7/1975	Hildebrandt	30/157
4,073,057	2/1978	Gilbert	30/153
4,161,818	7/1979	Phelps	30/157
4,218,819	8/1980	Phelps	30/157
4,408,394	10/1983	Phelps	30/157

FIG. 3 is a left side elevational view thereof;

FIG. 4 is a right side elevational view thereof;

FIG. 5 is a top plan view thereof;

FIG. 6 is a bottom plan view thereof; and,

FIG. 7 is a perspective view thereof.

OTHER PUBLICATIONS

Atlanta Cutlery Catalog, Fall 1993, p. 27, Picture Knives at bottom of page.

A. G. Russell Catalog, 1988, p. 14, Folding Knives.

1 Claim, 4 Drawing Sheets

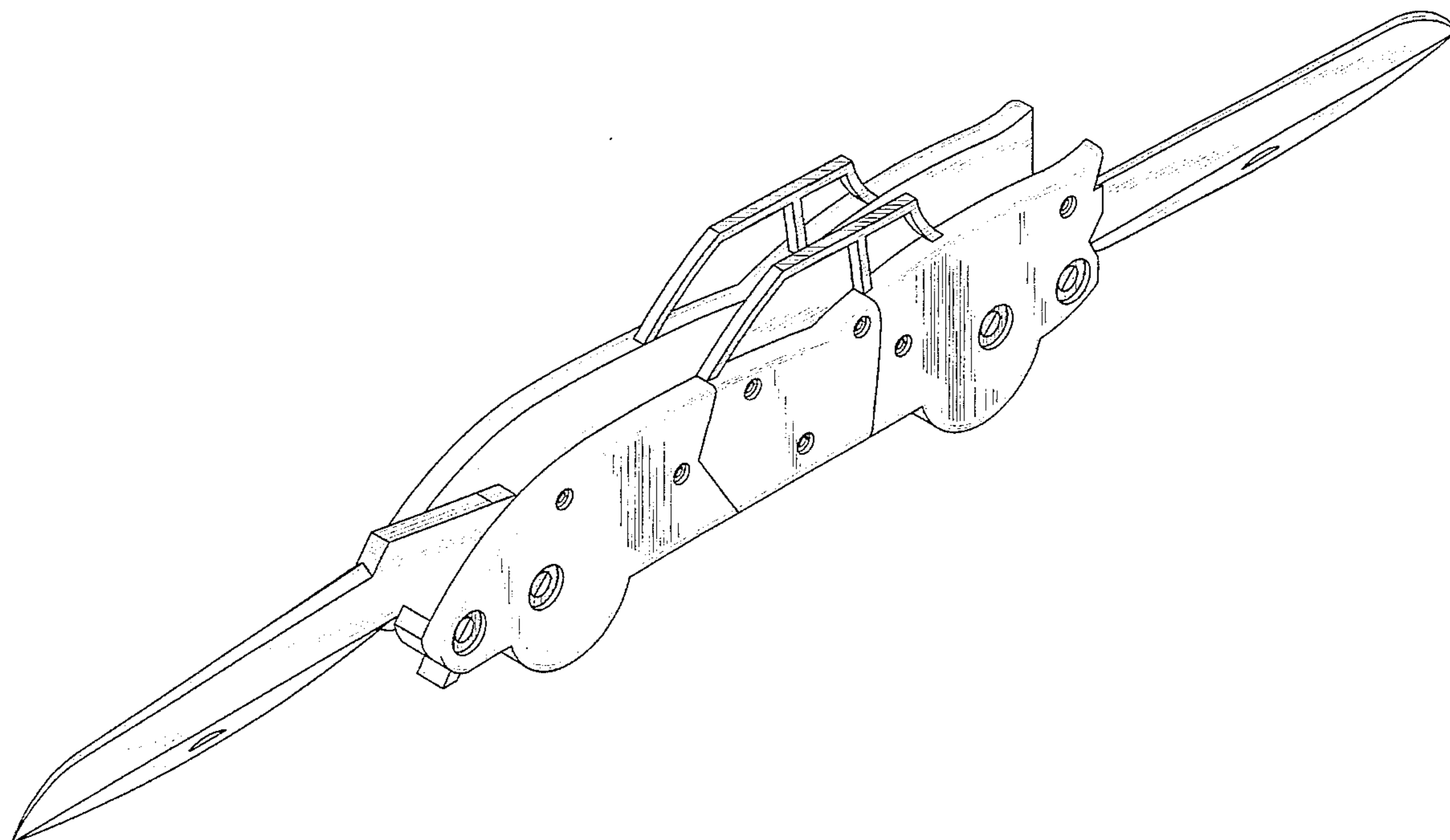


FIG. 1

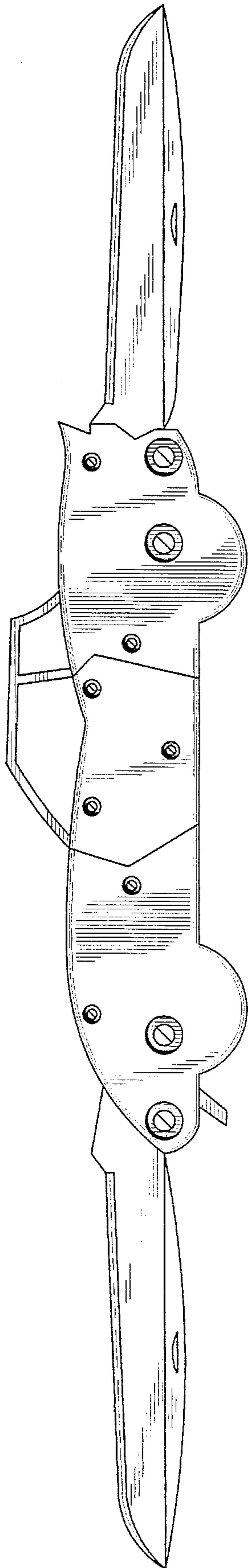


FIG. 2

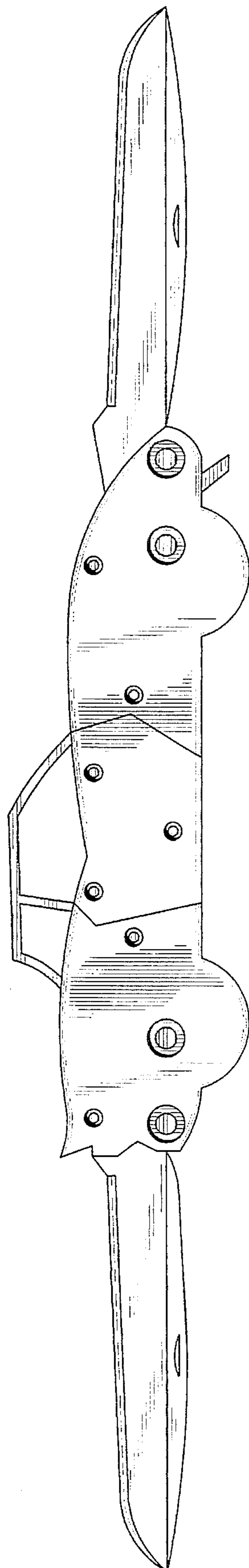


FIG. 3

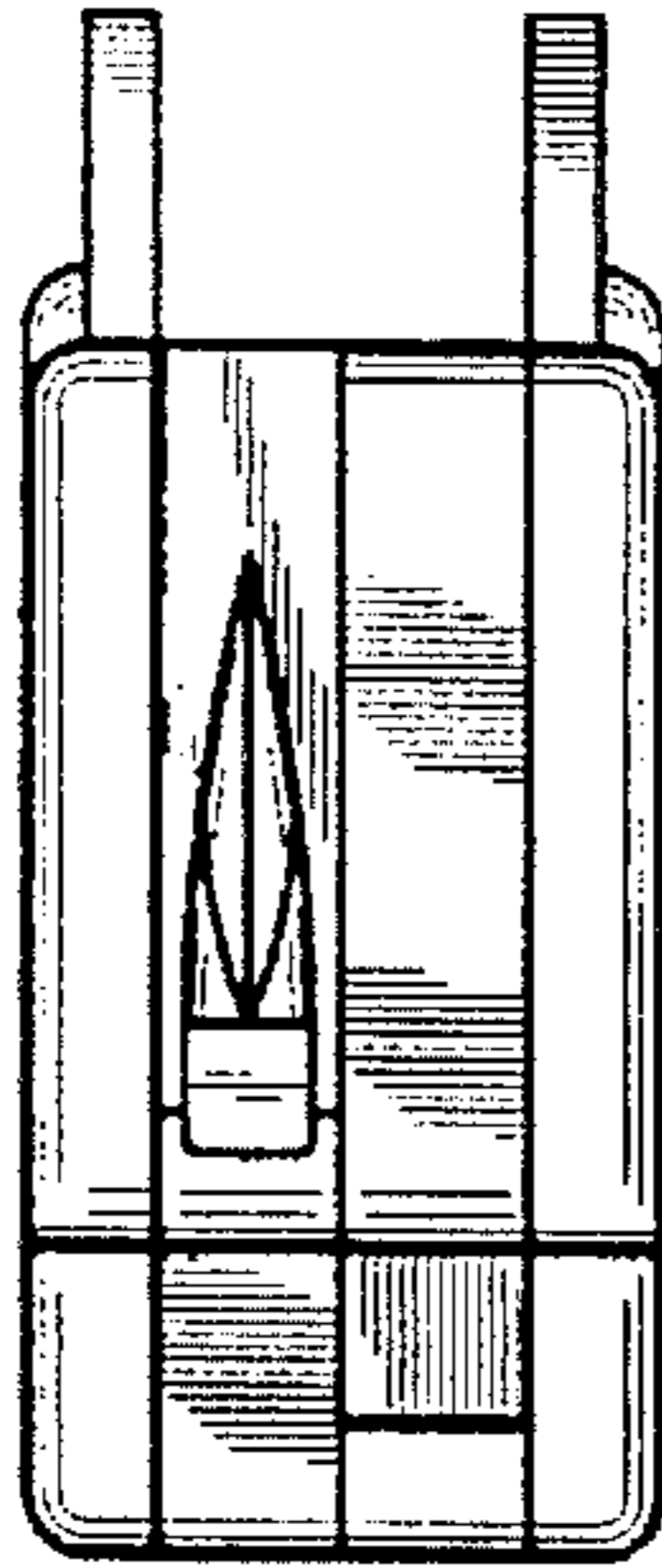


FIG. 4

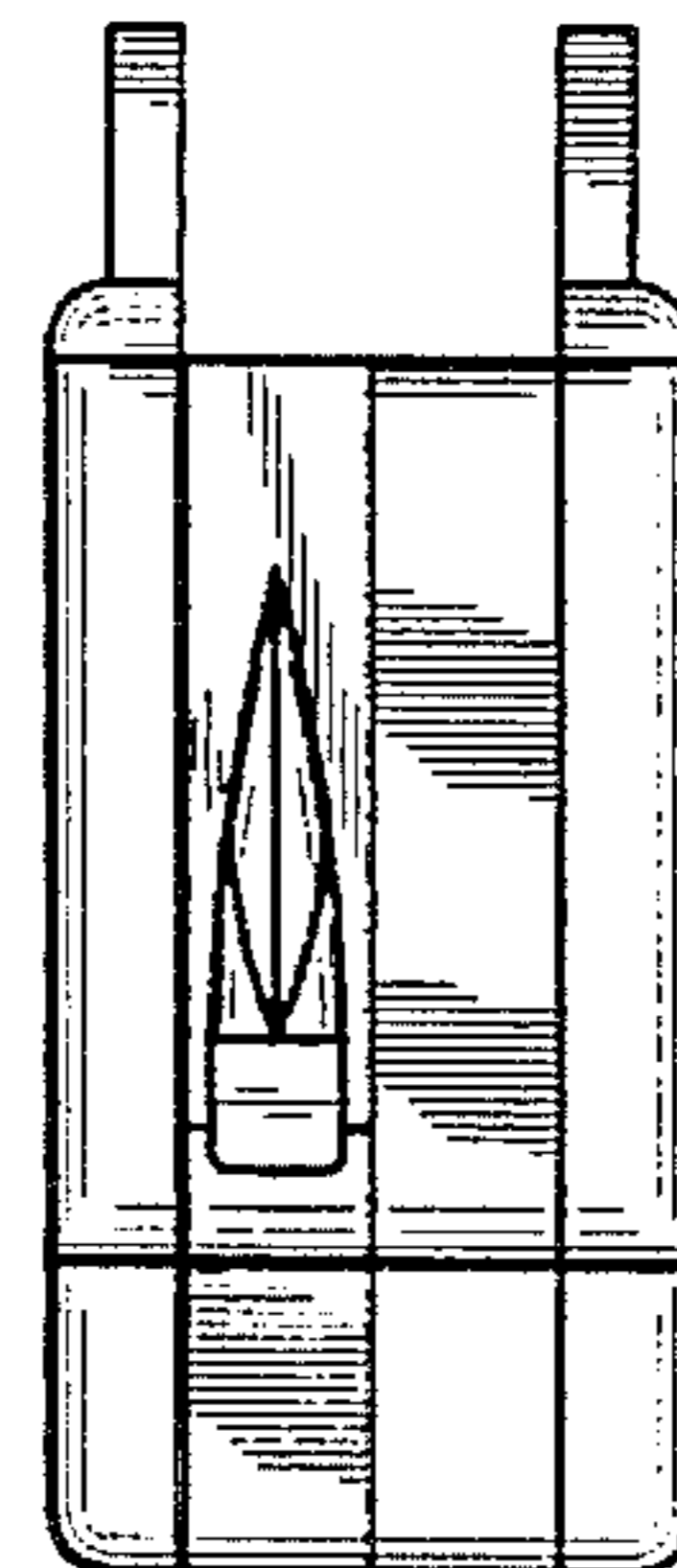


FIG. 5

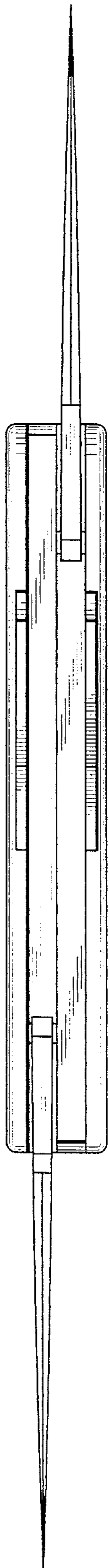
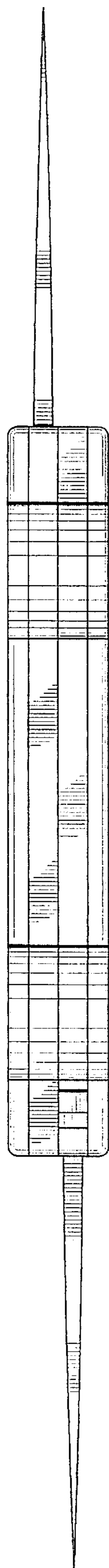


FIG. 6



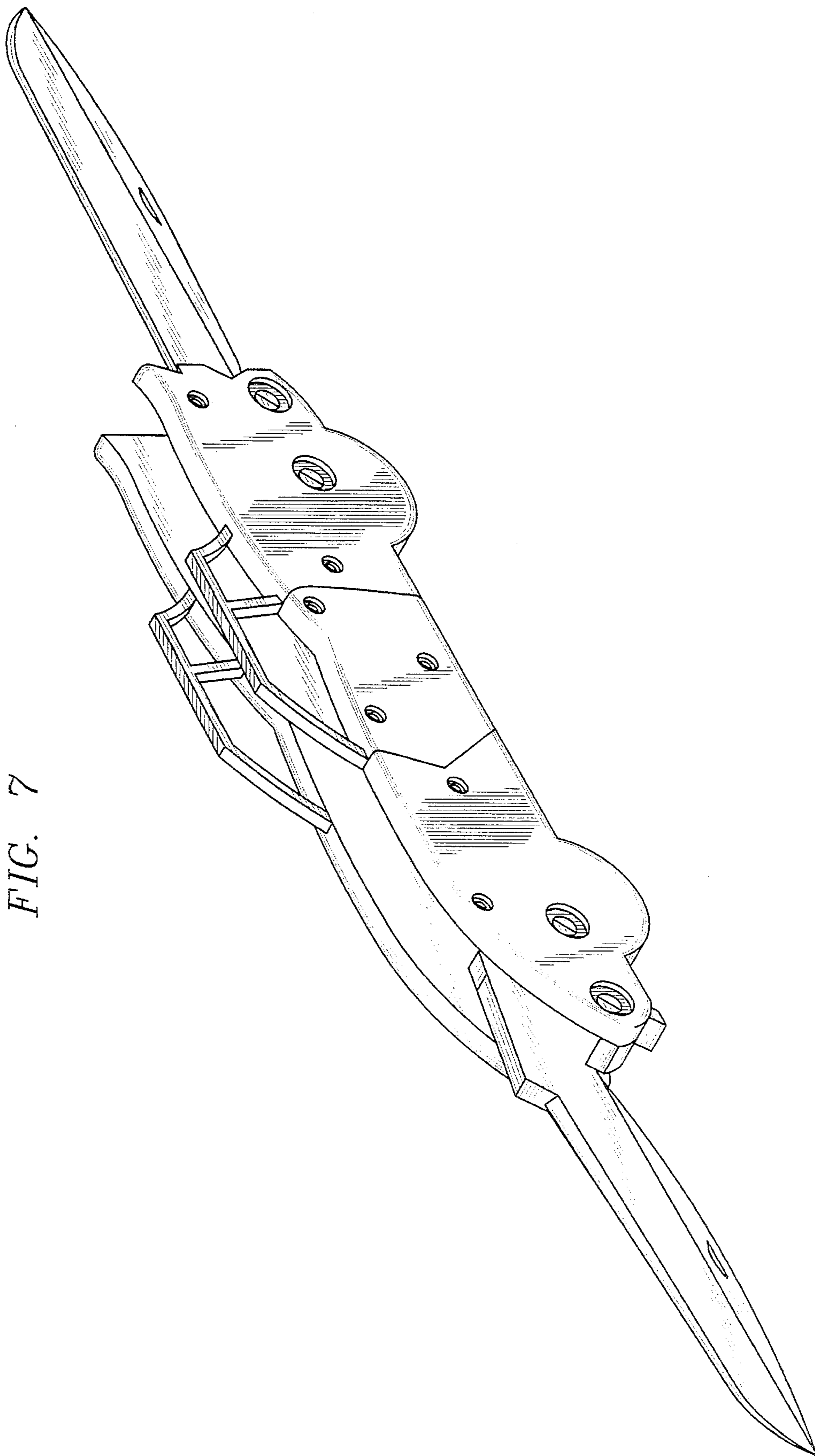


FIG. 7