



US00D363870S

United States Patent [19]

Oberloier et al.

[11] Patent Number: **Des. 363,870**

[45] Date of Patent: ****Nov. 7, 1995**

[54] **ADJUSTABLE CLAY CUTTER**

[76] Inventors: **Robert J. Oberloier; Nicole A. Oberloier**, both of 5571 Quilley Ave., Rogers, Minn. 55374

[**] Term: **14 Years**

[21] Appl. No.: **26,742**

[22] Filed: **Aug. 4, 1994**

[52] U.S. Cl. **D8/98**

[58] Field of Search D8/14, 51, 98; 30/116, 117

[56] **References Cited**

U.S. PATENT DOCUMENTS

137,064	3/1973	Fancher .	
D. 152,749	2/1949	Selikoff et al.	30/116
1,939,283	12/1933	Shailer .	
1,998,493	4/1935	Vetlier .	
2,093,867	9/1937	Fitzgerald .	
2,283,569	5/1942	Pedersen .	
2,475,824	7/1949	Devine .	
2,538,426	1/1951	Olander	30/116

2,825,131	3/1958	Cole	30/116
3,277,754	10/1966	Lopez .	
3,435,524	4/1969	Moore	30/116
4,516,458	5/1985	Pomerantz et al.	30/117

Primary Examiner—Ted Shooman
Assistant Examiner—Philip Hyder
Attorney, Agent, or Firm—Haugen and Nikolai

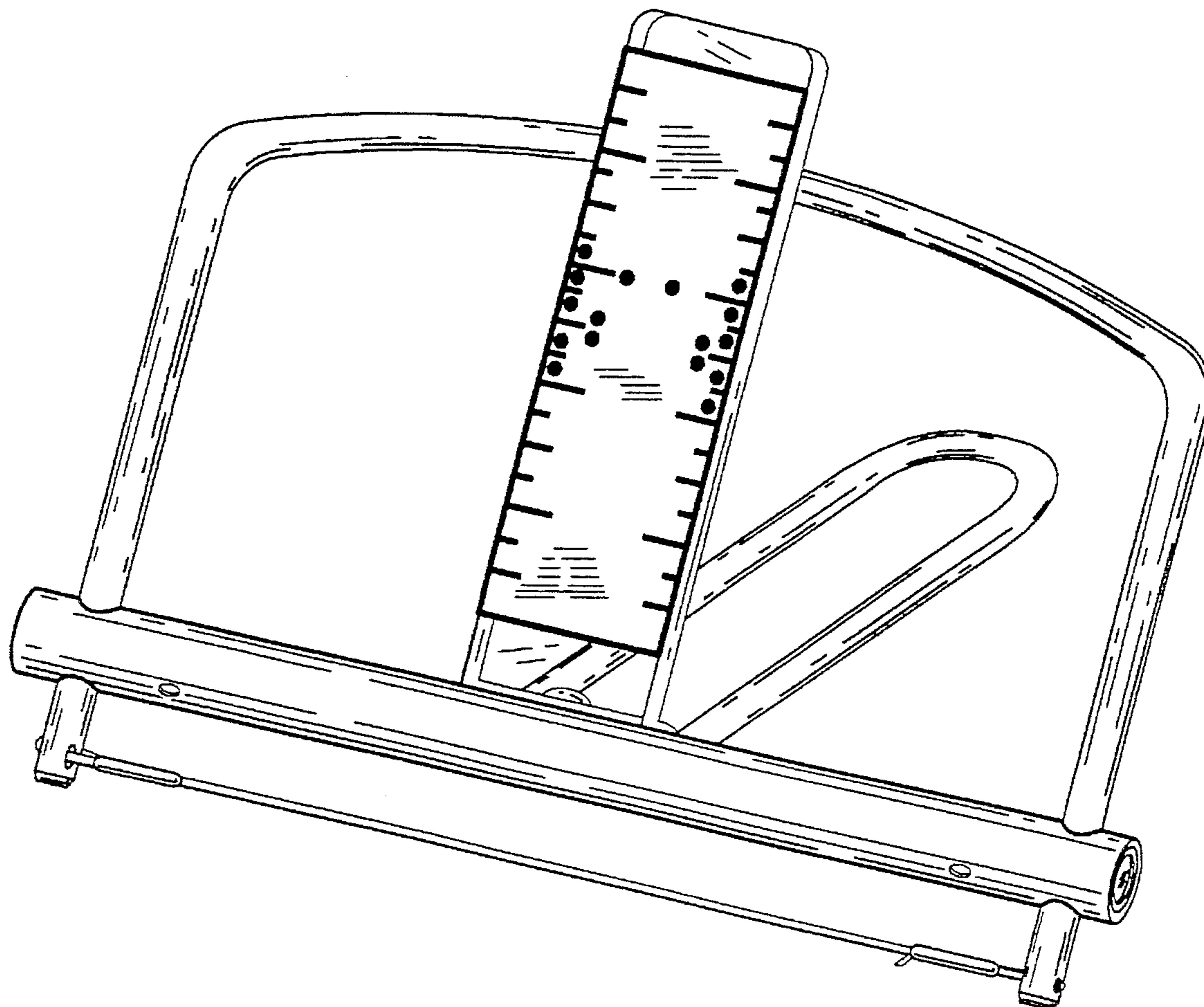
[57] **CLAIM**

The ornamental design for a clay cutter, as shown and described.

DESCRIPTION

FIG. 1 is a perspective view of clay cutter, showing my new design;
FIG. 2 is a front elevational view thereof;
FIG. 3 is a rear elevational view thereof;
FIG. 4 is a right side elevational view of FIG. 2 present invention;
FIG. 5 is a left side elevational view of FIG. 2;
FIG. 6 is a top plan view thereof; and,
FIG. 7 is a bottom plan view thereof.

1 Claim, 4 Drawing Sheets



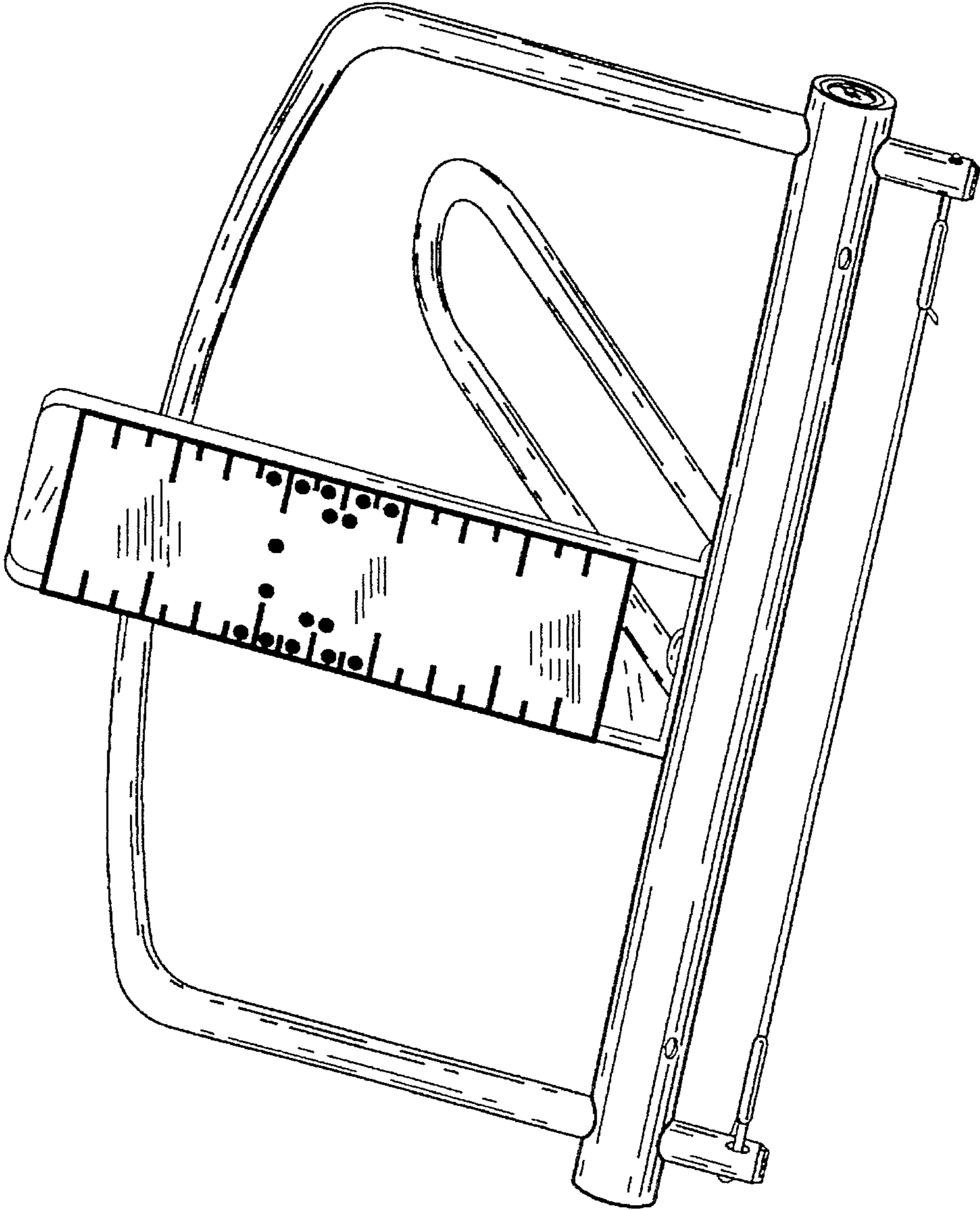


Fig. 1

Fig. 2

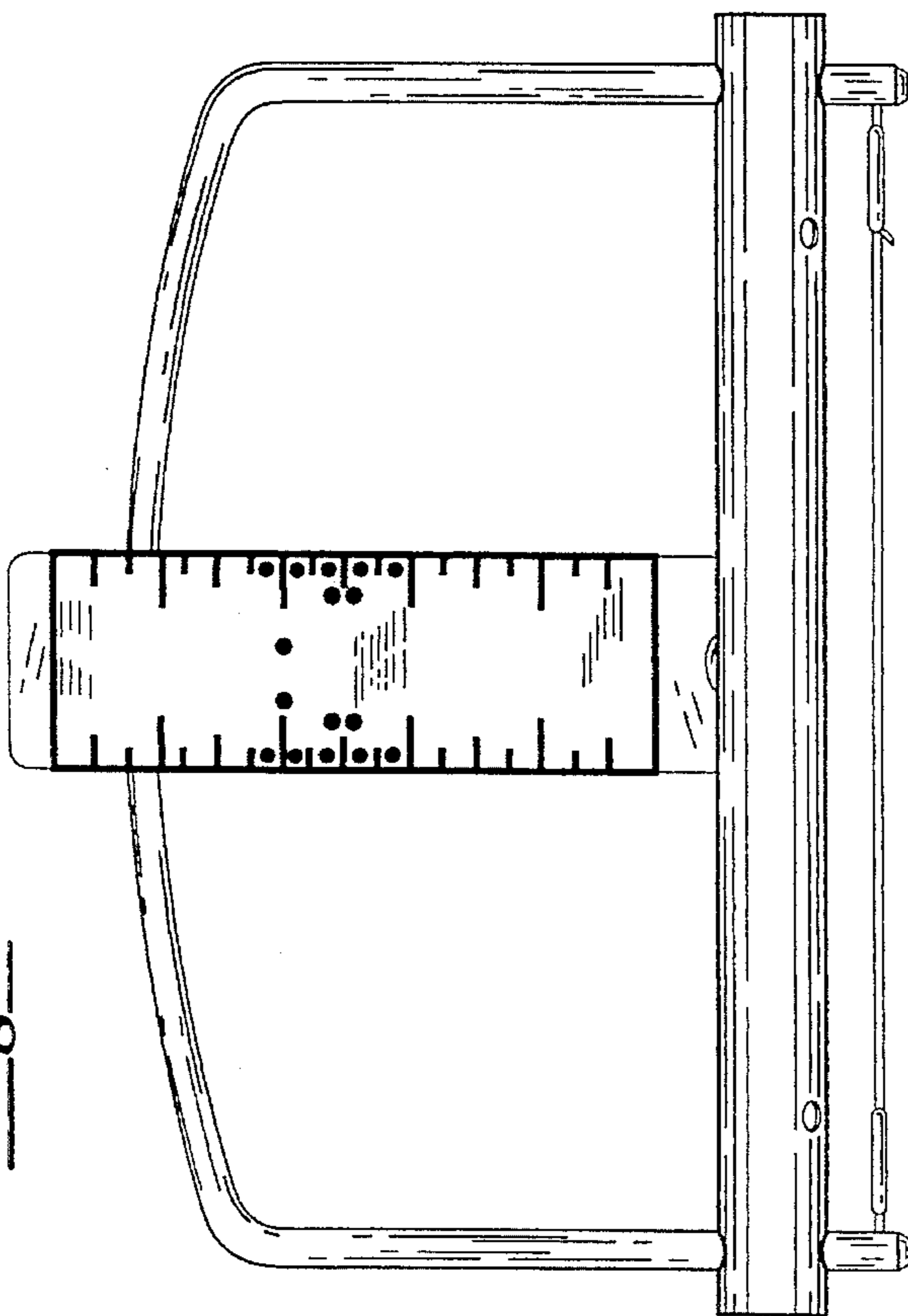
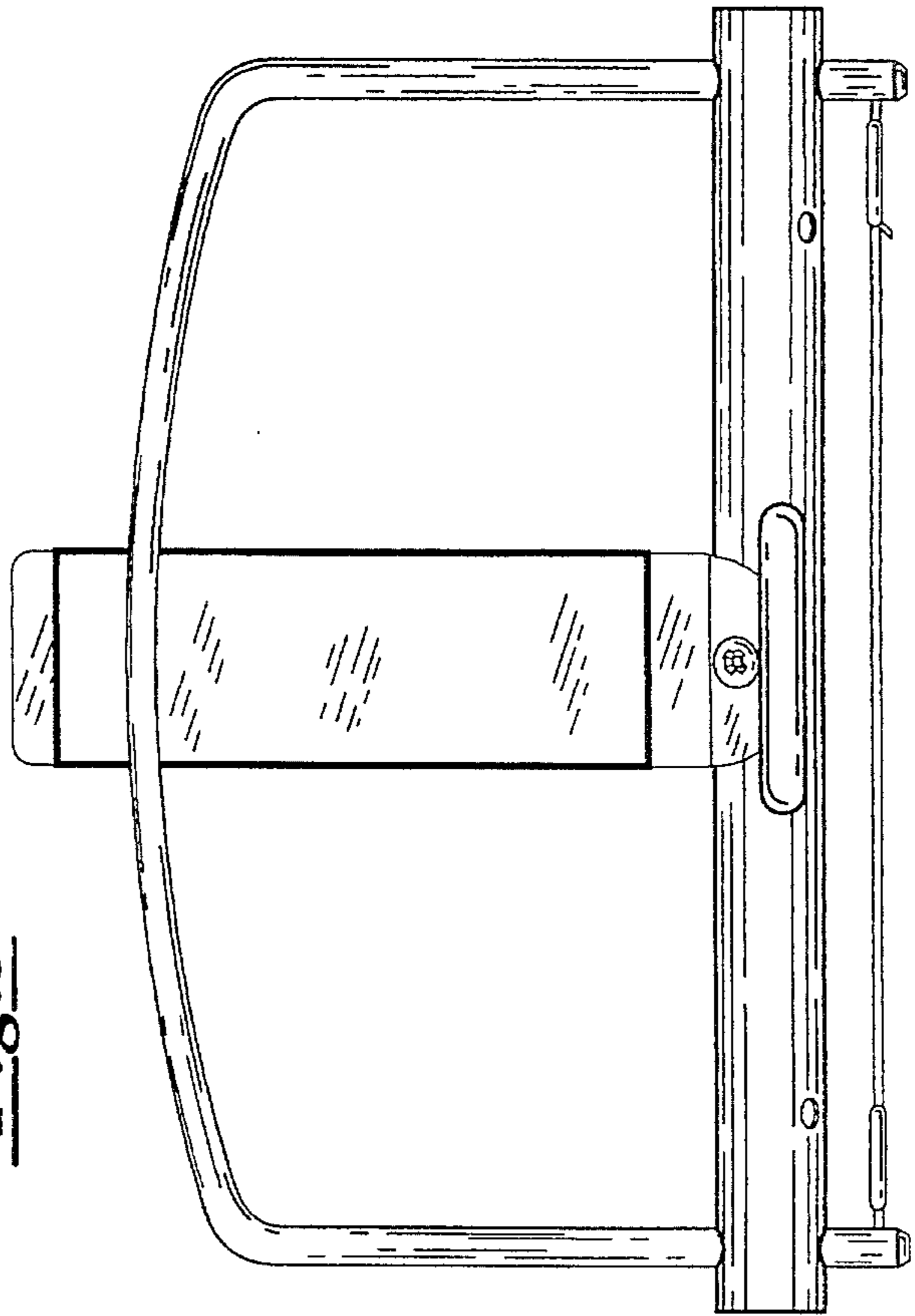


Fig. 3



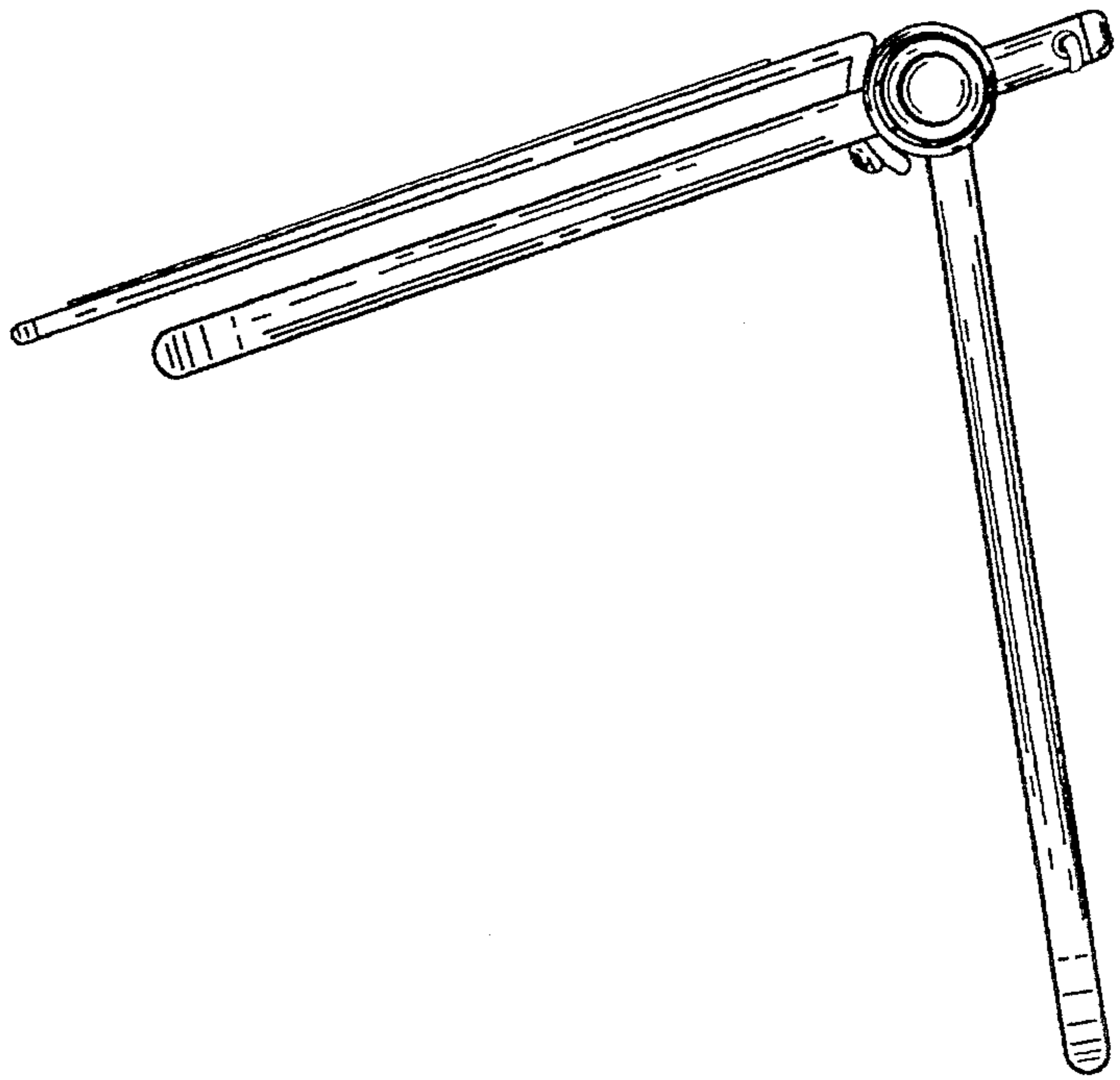


Fig. 5

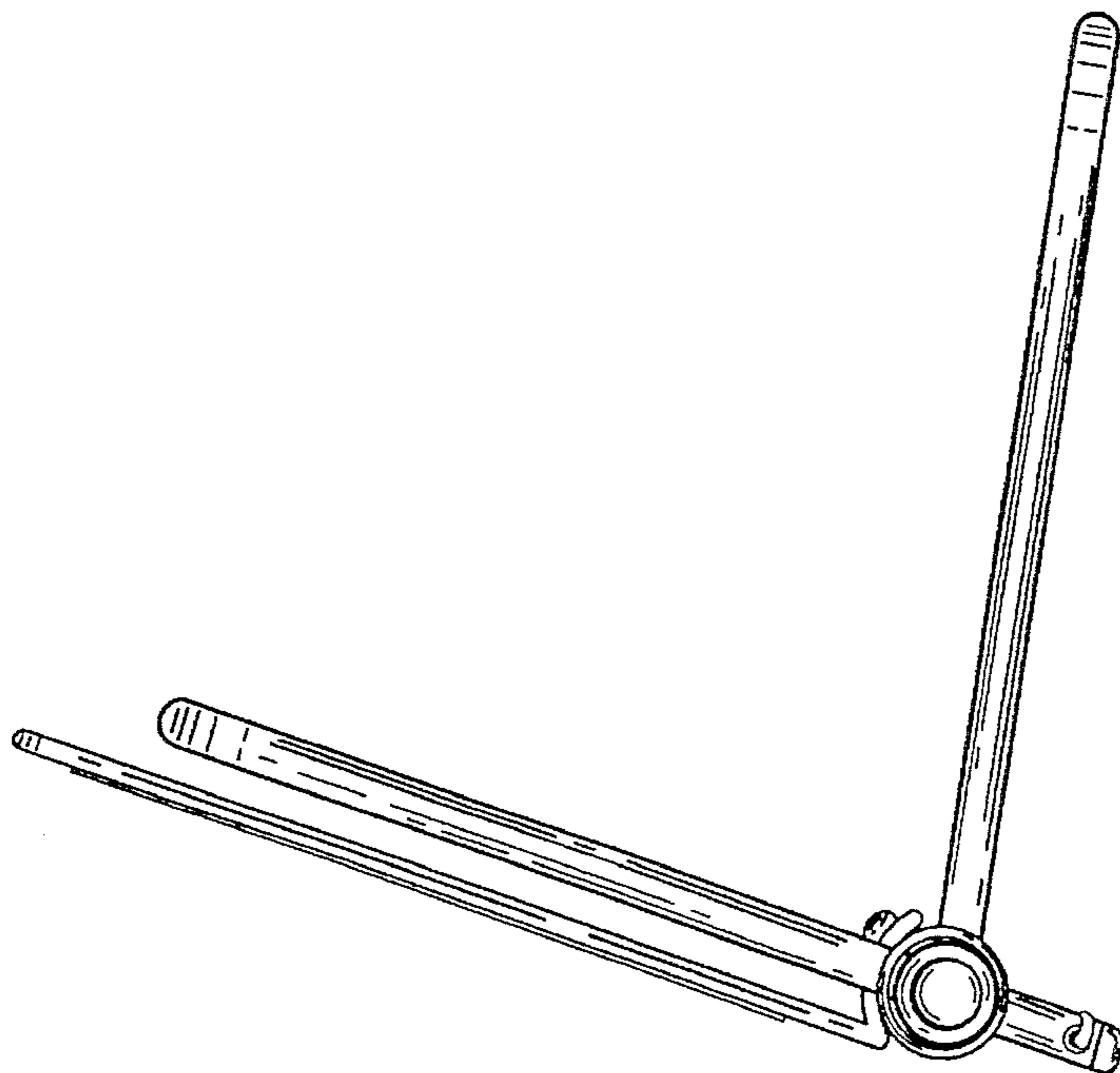


Fig. 4

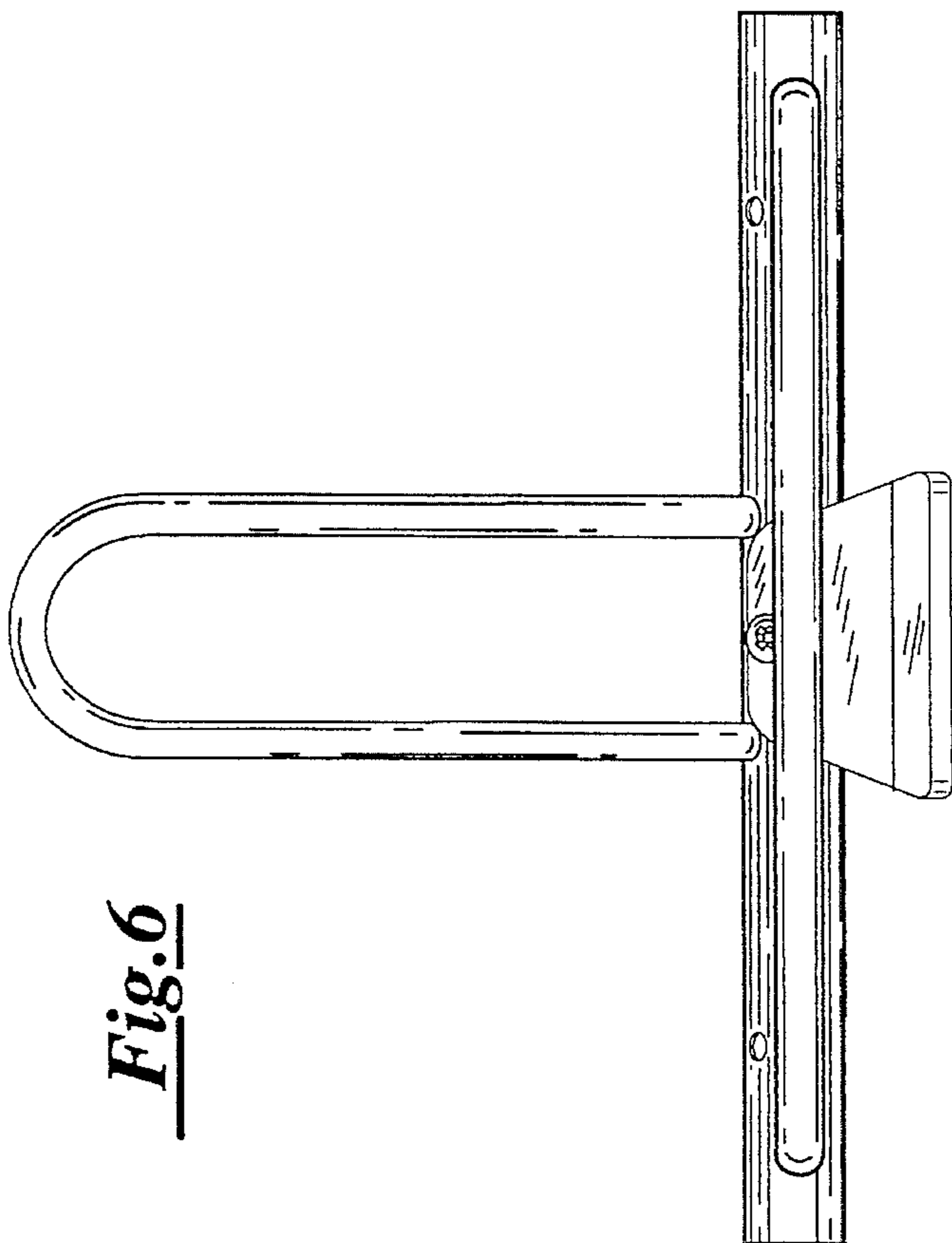


Fig. 6

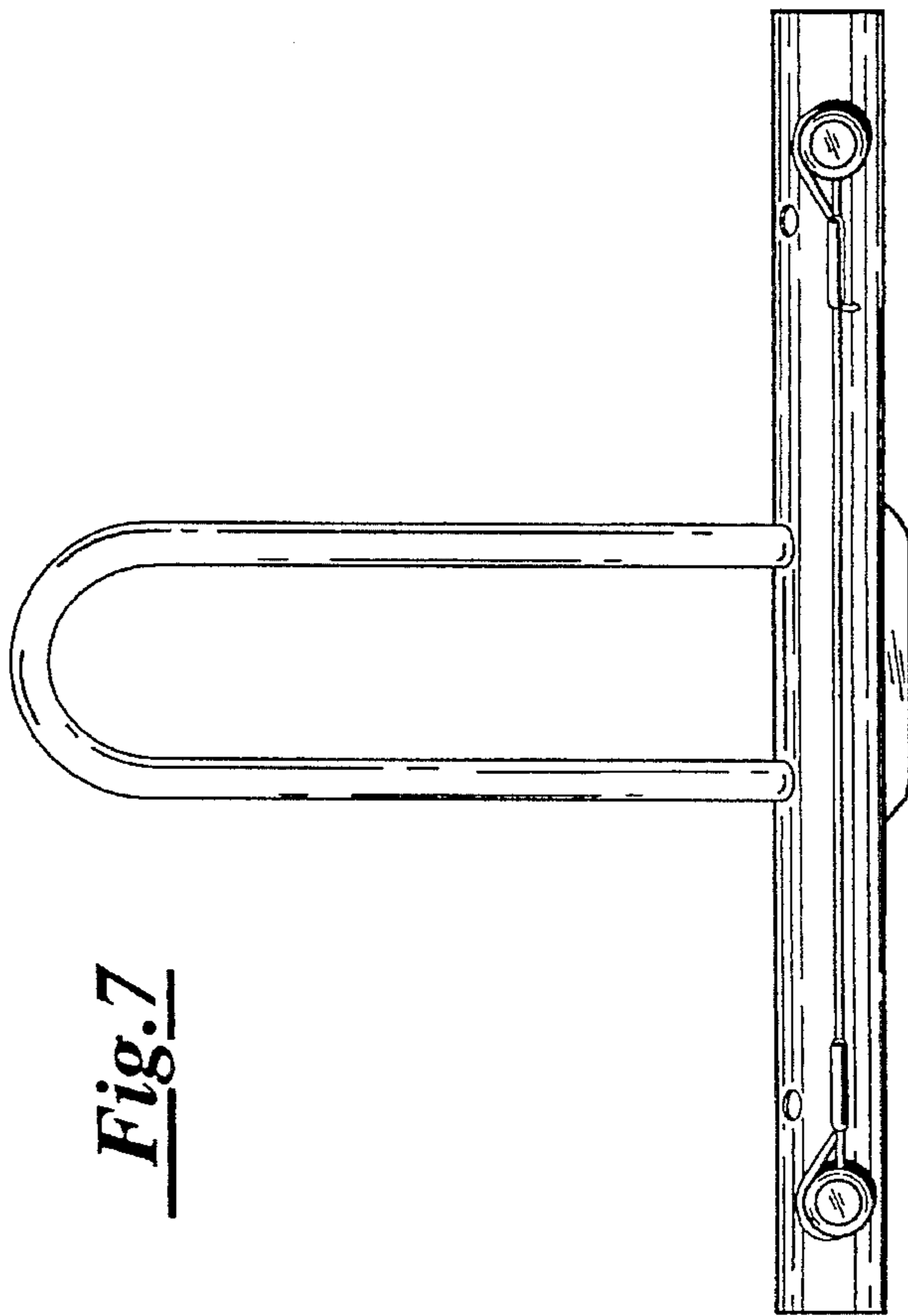


Fig. 7