



US00D363869S

United States Patent [19]
Ross

[11] **Patent Number:** **Des. 363,869**
[45] **Date of Patent:** ****Nov. 7, 1995**

- [54] **SHARPENING STONE HOLDER FOR A KNIFE SHARPENER**
- [75] Inventor: **Glenn D. Ross**, Marietta, Ga.
- [73] Assignee: **Frost Cutlery Company**, Chattanooga, Tenn.
- [**] Term: **14 Years**
- [21] Appl. No.: **27,718**
- [22] Filed: **Aug. 29, 1994**
- [52] U.S. Cl. **D8/93; D8/91**
- [58] Field of Search **D8/90, 91, 92, D8/93, 94; 451/552, 555, 558, 557, 540, 548, 549; 76/82, 88**

[56] **References Cited**

U.S. PATENT DOCUMENTS

D. 273,081	3/1984	Levine	D8/93
D. 287,815	1/1987	Johannsen	D8/93
4,731,953	3/1988	Owen	76/88
4,777,770	10/1988	LeVine	76/88
5,138,801	8/1992	Anthon et al.	451/540

OTHER PUBLICATIONS

Cutlery Shoppe Catalog, 1990, p. 16 DMT Aligner Kit.
Cutlery Shoppe Catalog, 1990, p. 17, Lansky Knife Sharpeners.

Primary Examiner—Terry A. Wallace
Assistant Examiner—Philip Hyder
Attorney, Agent, or Firm—Lalos & Keegan

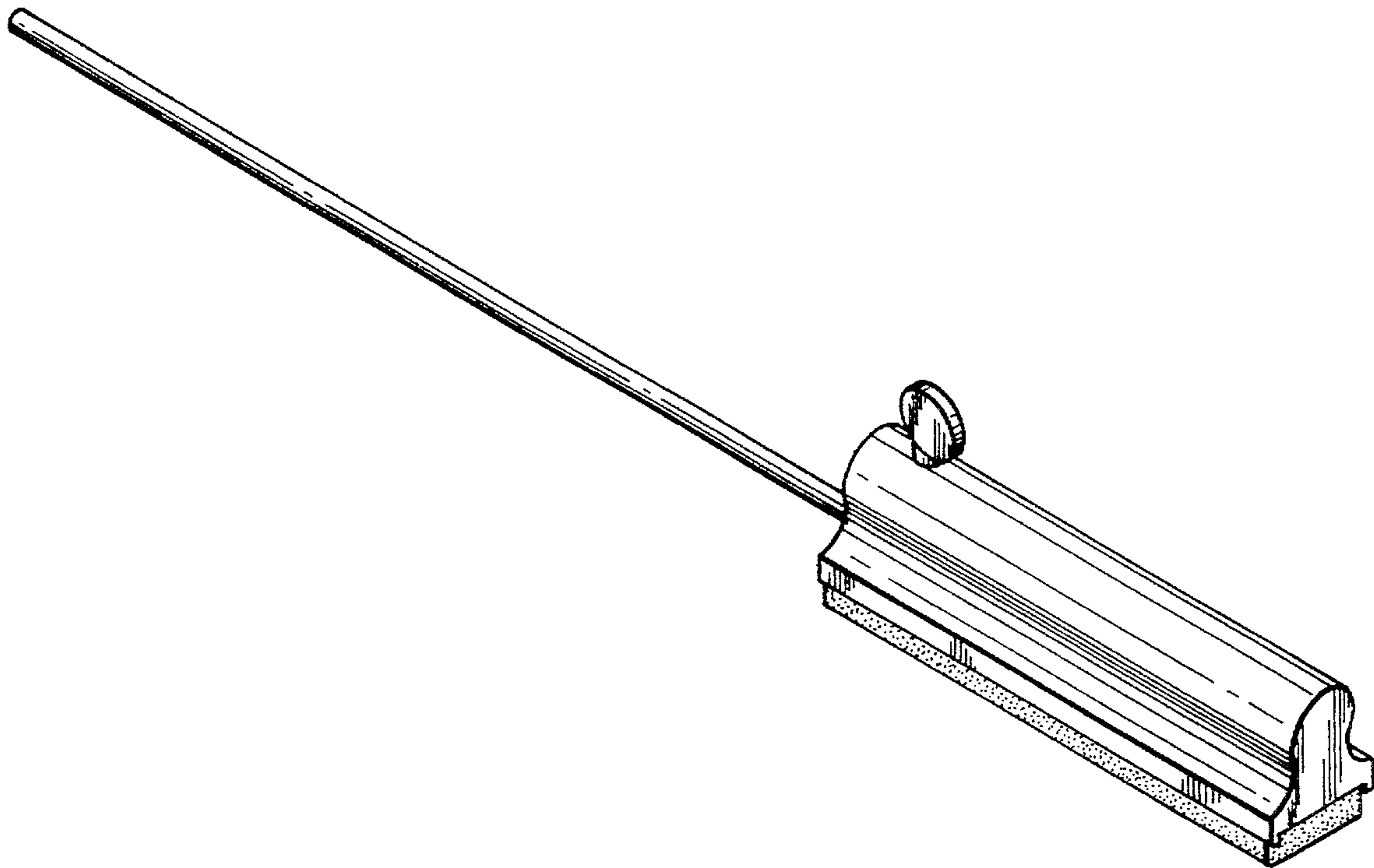
[57] **CLAIM**

The ornamental design for a sharpening stone holder for a knife sharpener, as shown and described.

DESCRIPTION

FIG. 1 is a perspective view of a sharpening stone holder for a knife sharpener, showing my new design;
FIG. 2 is a top plan view thereof;
FIG. 3 is a right side view thereof, the left side view being a mirror image;
FIG. 4 is a bottom view thereof;
FIG. 5 is a front view thereof; and,
FIG. 6 is a rear view thereof.

1 Claim, 1 Drawing Sheet



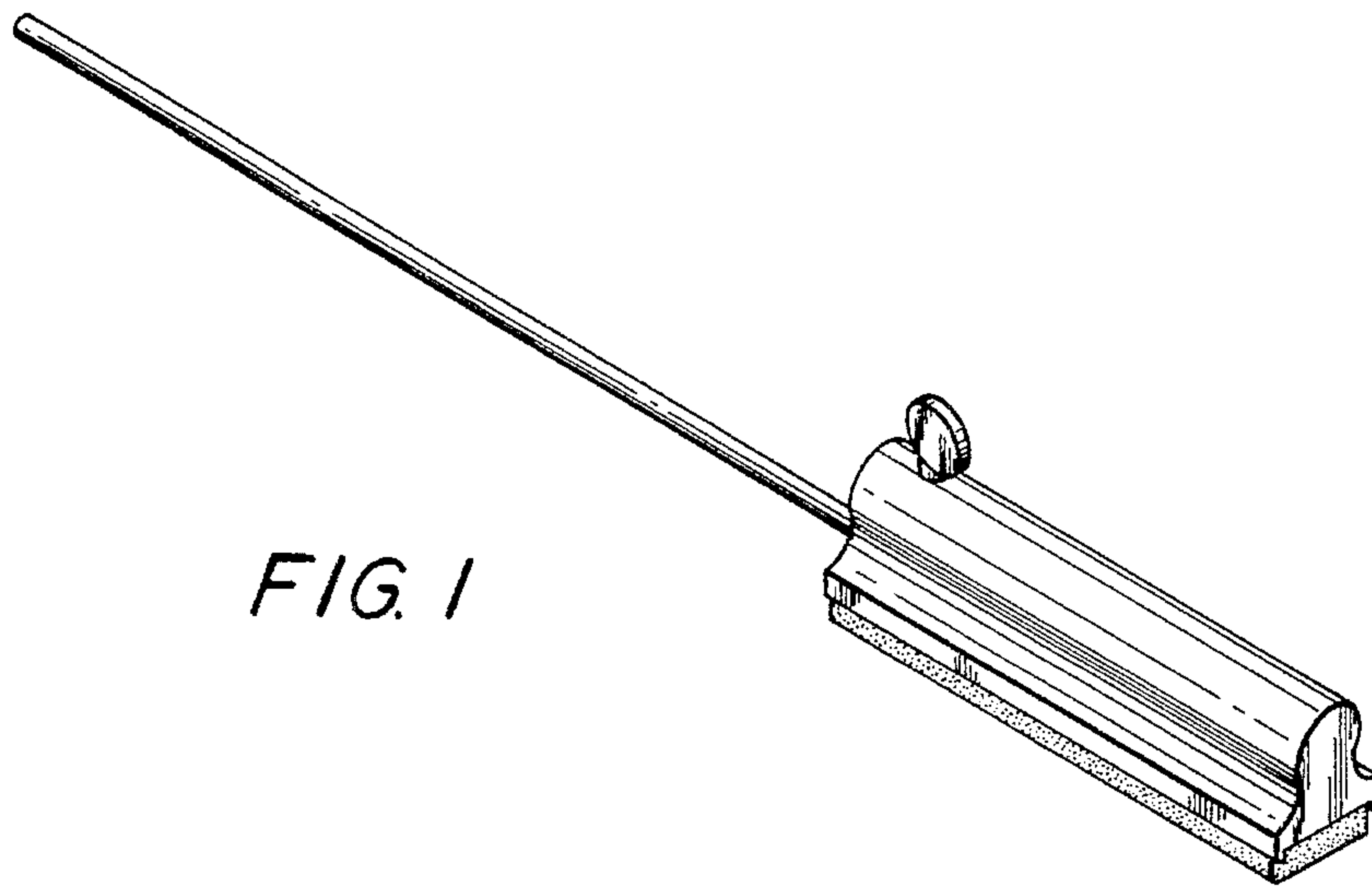


FIG. 1



FIG. 2

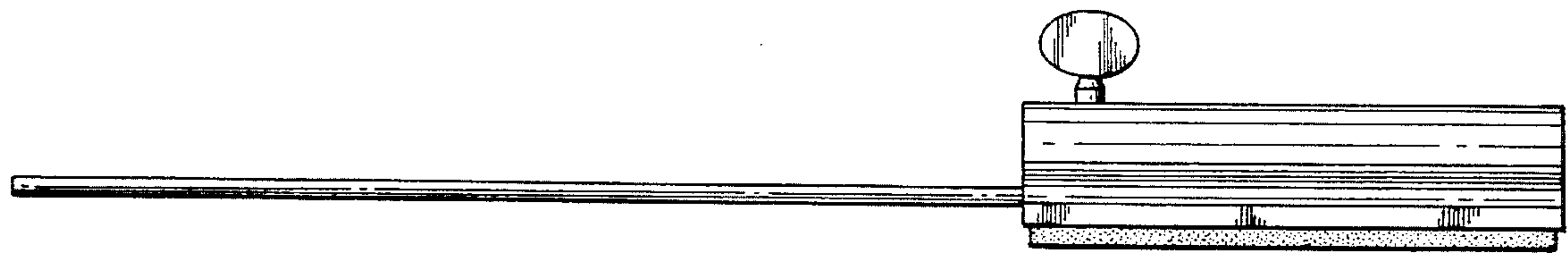


FIG. 3



FIG. 4



FIG. 5

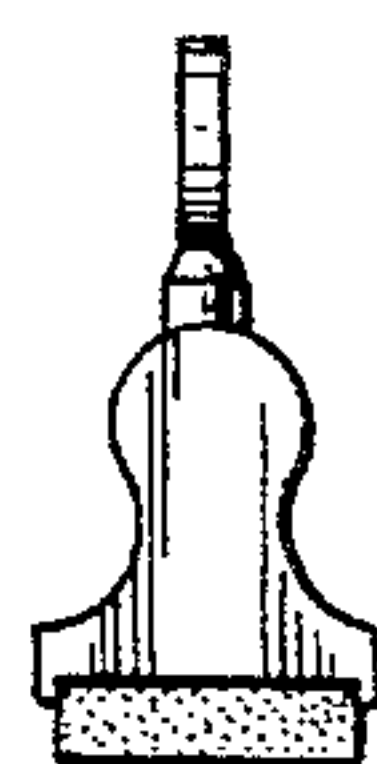


FIG. 6