



US00D363867S

United States Patent [19]

Harrison et al.

[11] Patent Number: **Des. 363,867**

[45] Date of Patent: ****Nov. 7, 1995**

[54] **KNIFE SHARPENER**

[75] Inventors: **Marc Harrison**, Portsmouth, R.I.;
Alain Vadrot, Paray-lo-Monial, France

[73] Assignee: **Cuisine de France, Ltd.**, Shelton, Conn.

[**] Term: **14 Years**

[21] Appl. No.: **26,892**

[22] Filed: **Aug. 8, 1994**

[52] U.S. Cl. **D8/63**; D8/93

[58] Field of Search D8/61, 62, 63,
D8/90, 91, 92, 93; 76/82, 82.1, 82.2, 83,
88; 451/262, 267, 293

[56] **References Cited**

U.S. PATENT DOCUMENTS

D. 184,653	3/1959	Anderson	D8/63
D. 185,556	6/1959	Madl	D8/63
D. 202,799	11/1965	De Fano	D8/63
D. 202,908	11/1965	Schellens	D8/63
D. 218,008	7/1970	Julkenbeck	D8/63

D. 232,516	8/1974	Smith	D8/63
D. 280,286	8/1985	Van Asten	D8/93
D. 303,209	9/1989	Friel	D8/93
D. 310,620	9/1990	Friel	D8/93
D. 326,986	6/1992	Dressel et al.	D8/63

Primary Examiner—Ted Shooman
Assistant Examiner—Philip Hyder
Attorney, Agent, or Firm—Nims Howes Collison Hansen & Lackert

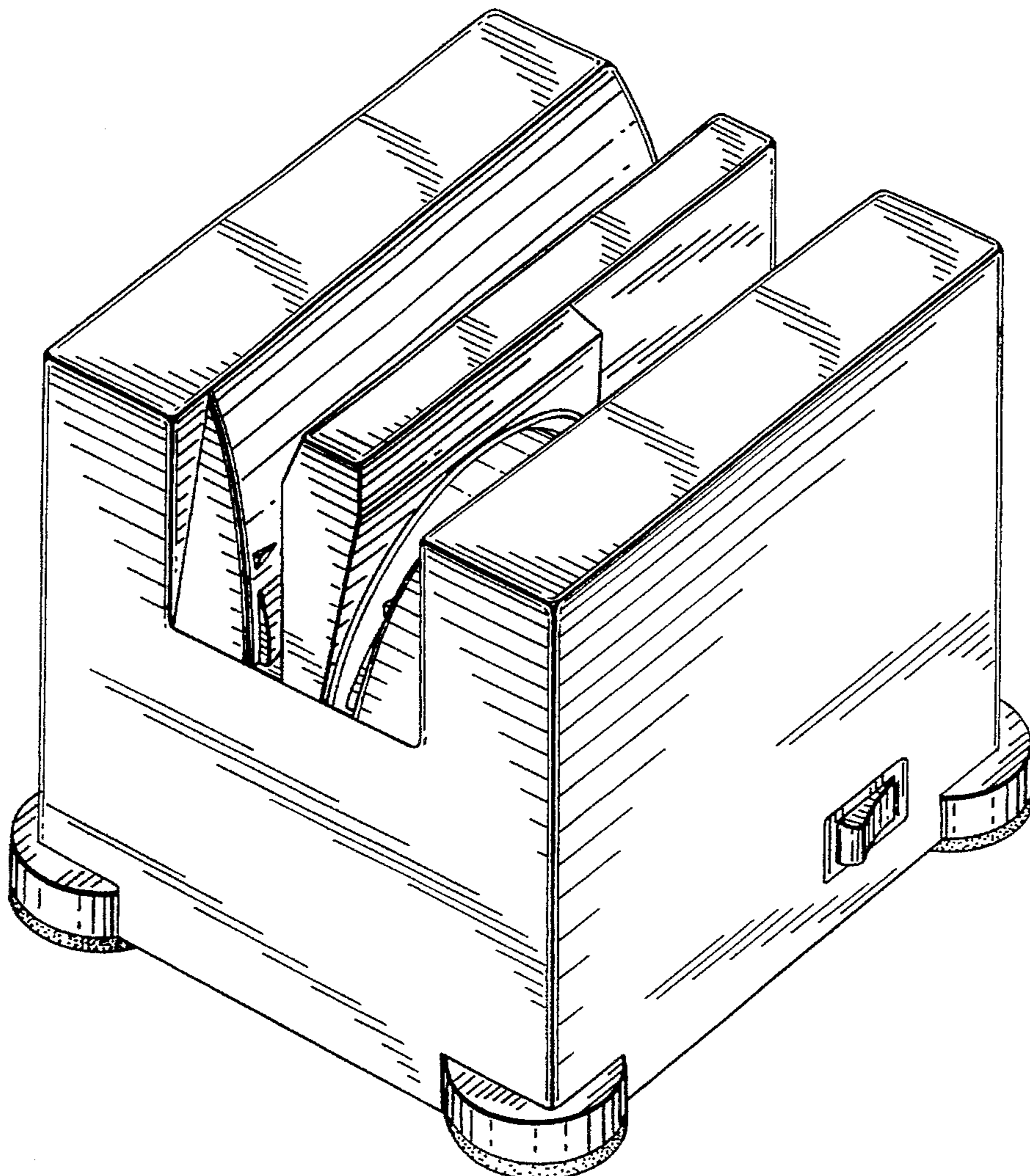
[57] **CLAIM**

The ornamental design for a knife sharpener, as shown.

DESCRIPTION

FIG. 1 perspective view showing front, top and right side view;
FIG. 2 front elevational view;
FIG. 3 rear elevational view;
FIG. 4 right side elevational view;
FIG. 5 left side elevational view;
FIG. 6 top plan view; and,
FIG. 7 bottom plan view.

1 Claim, 4 Drawing Sheets



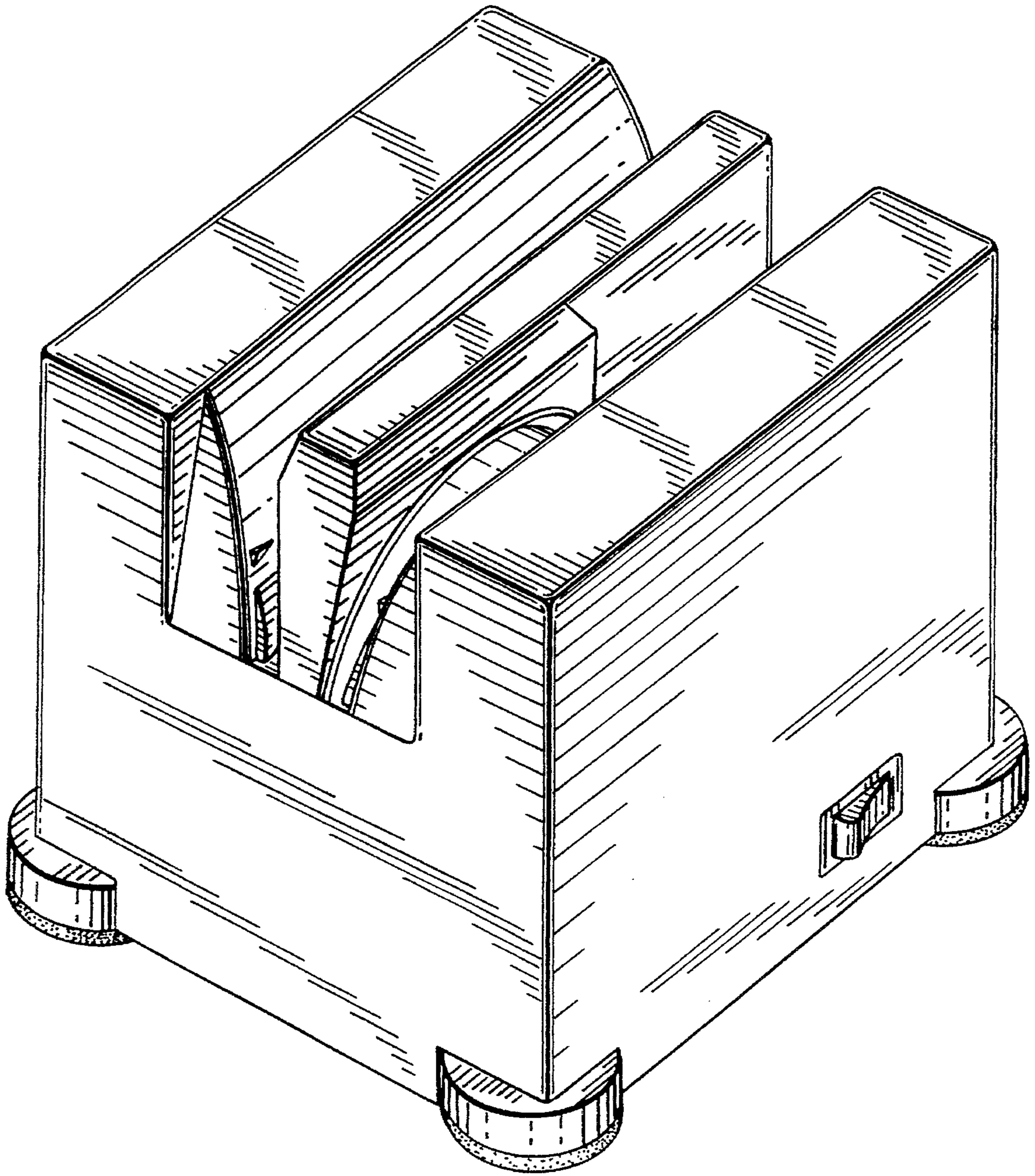


FIG. 1

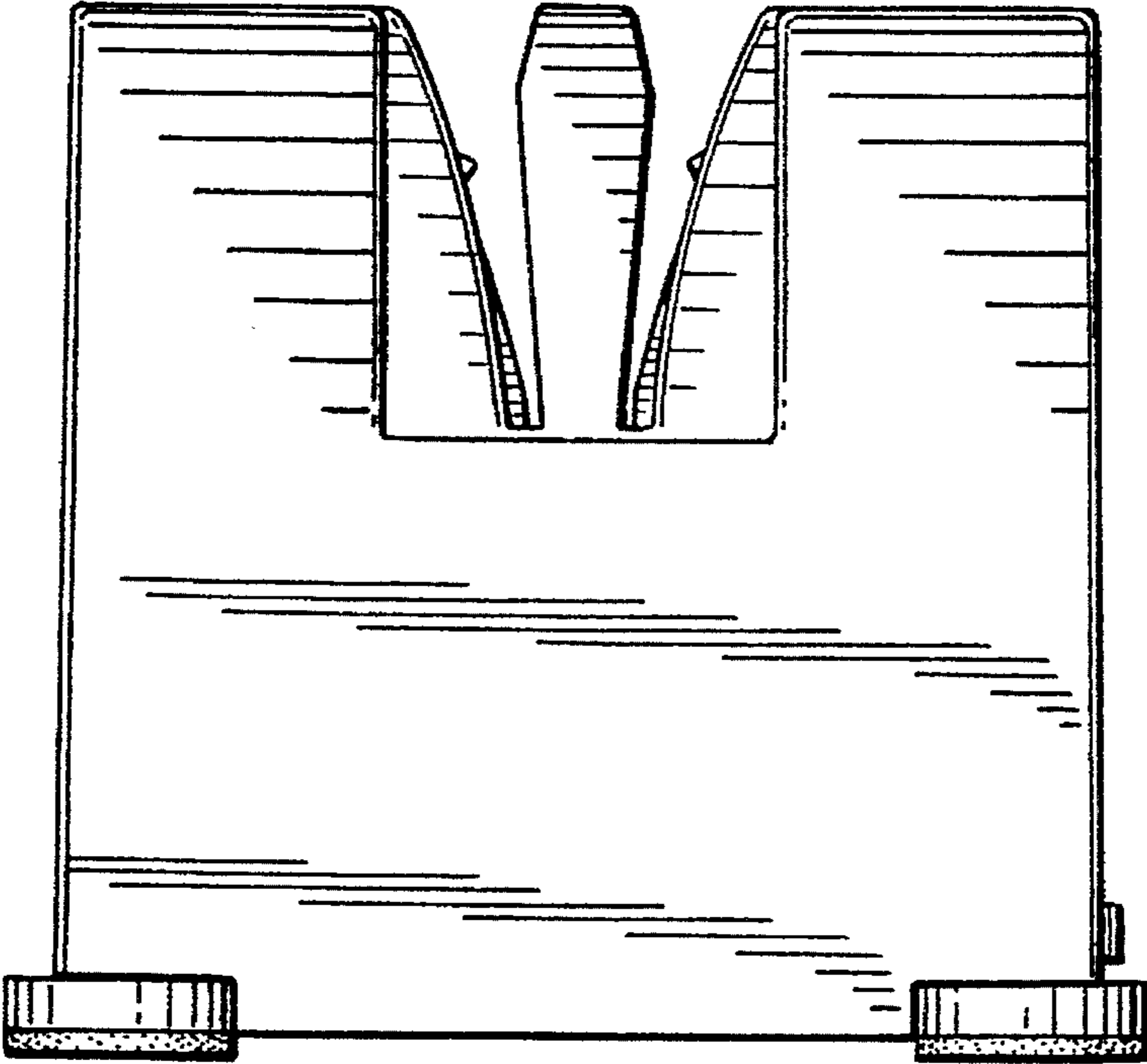


FIG. 2

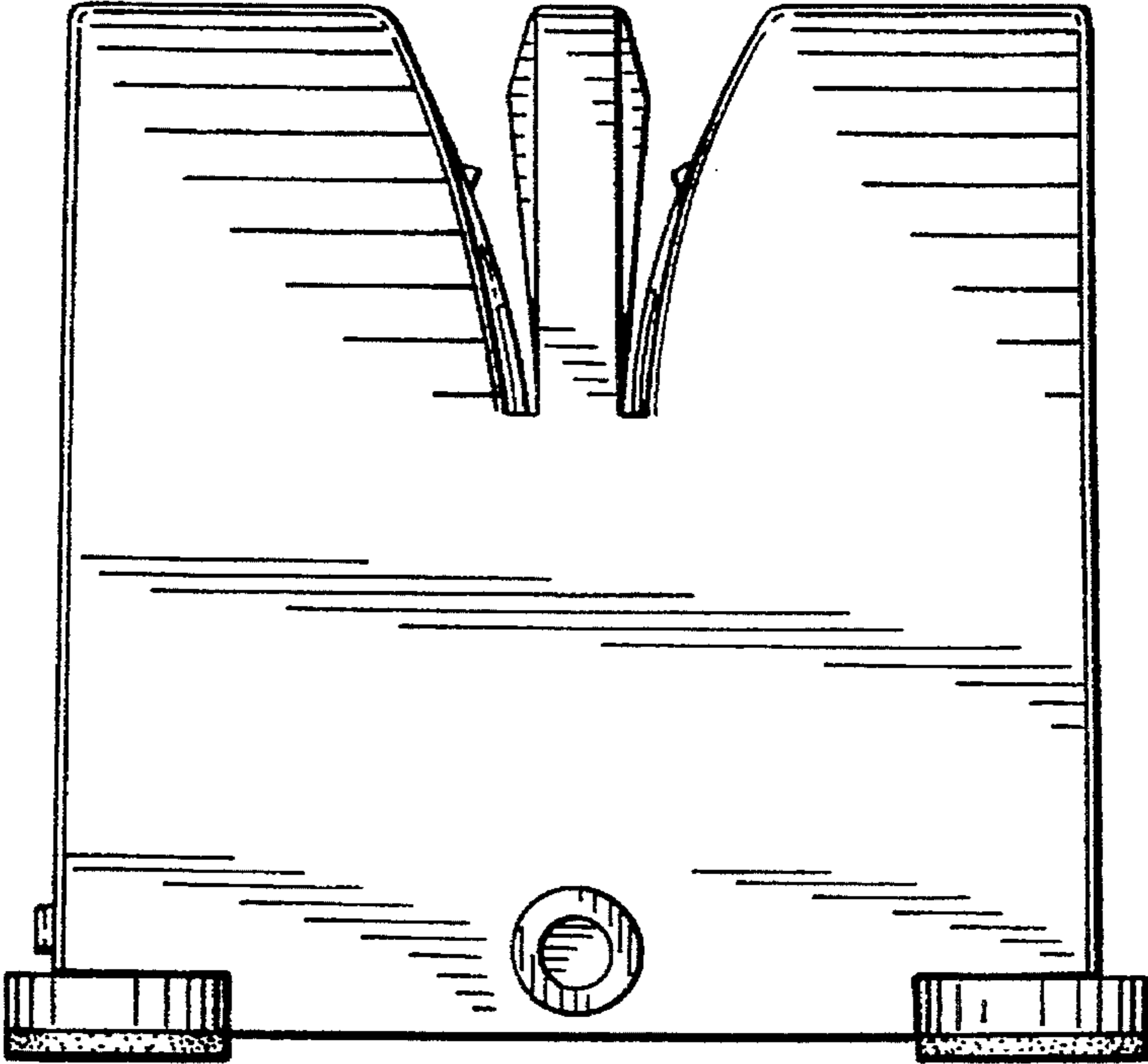


FIG. 3

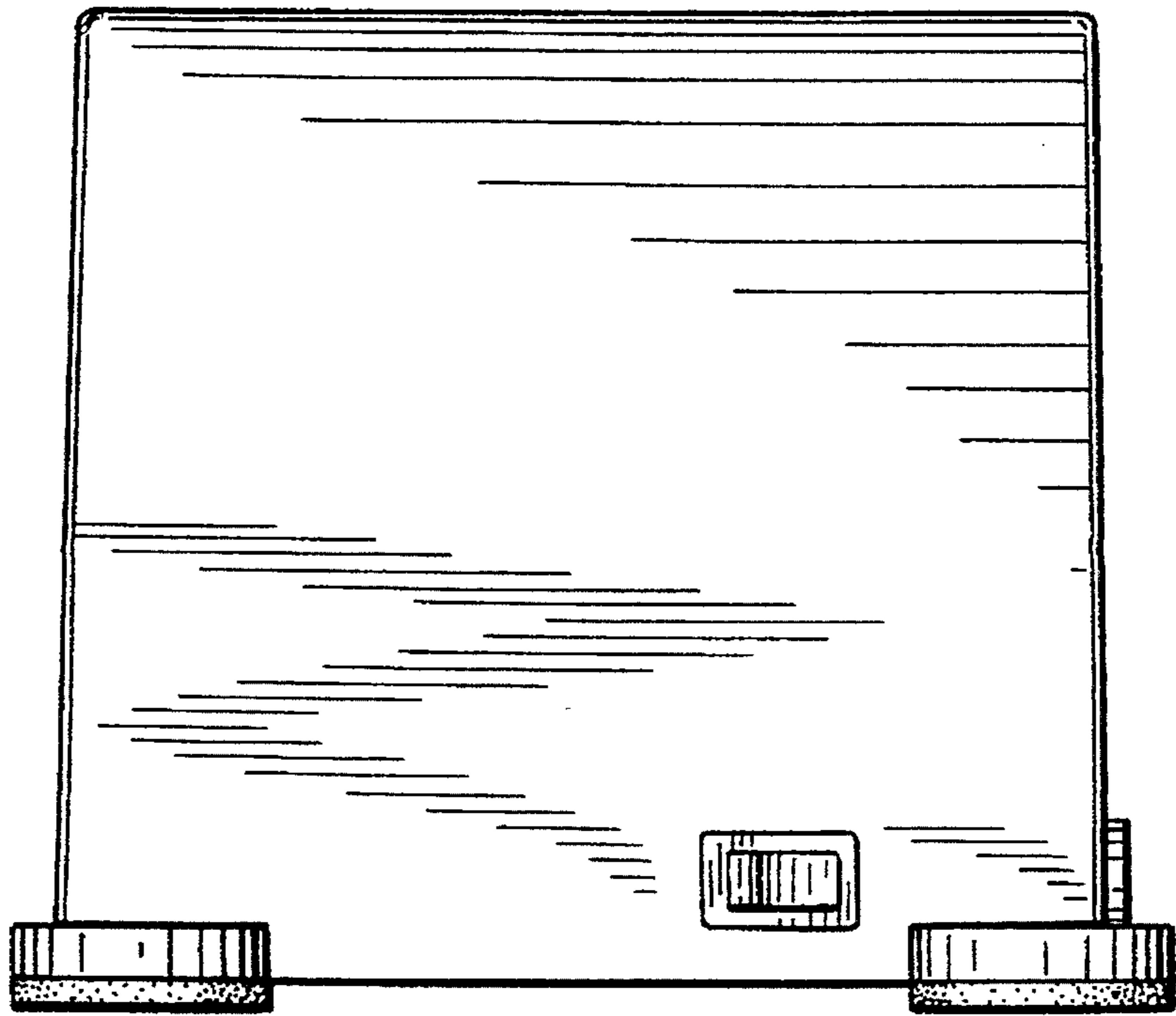


FIG. 4

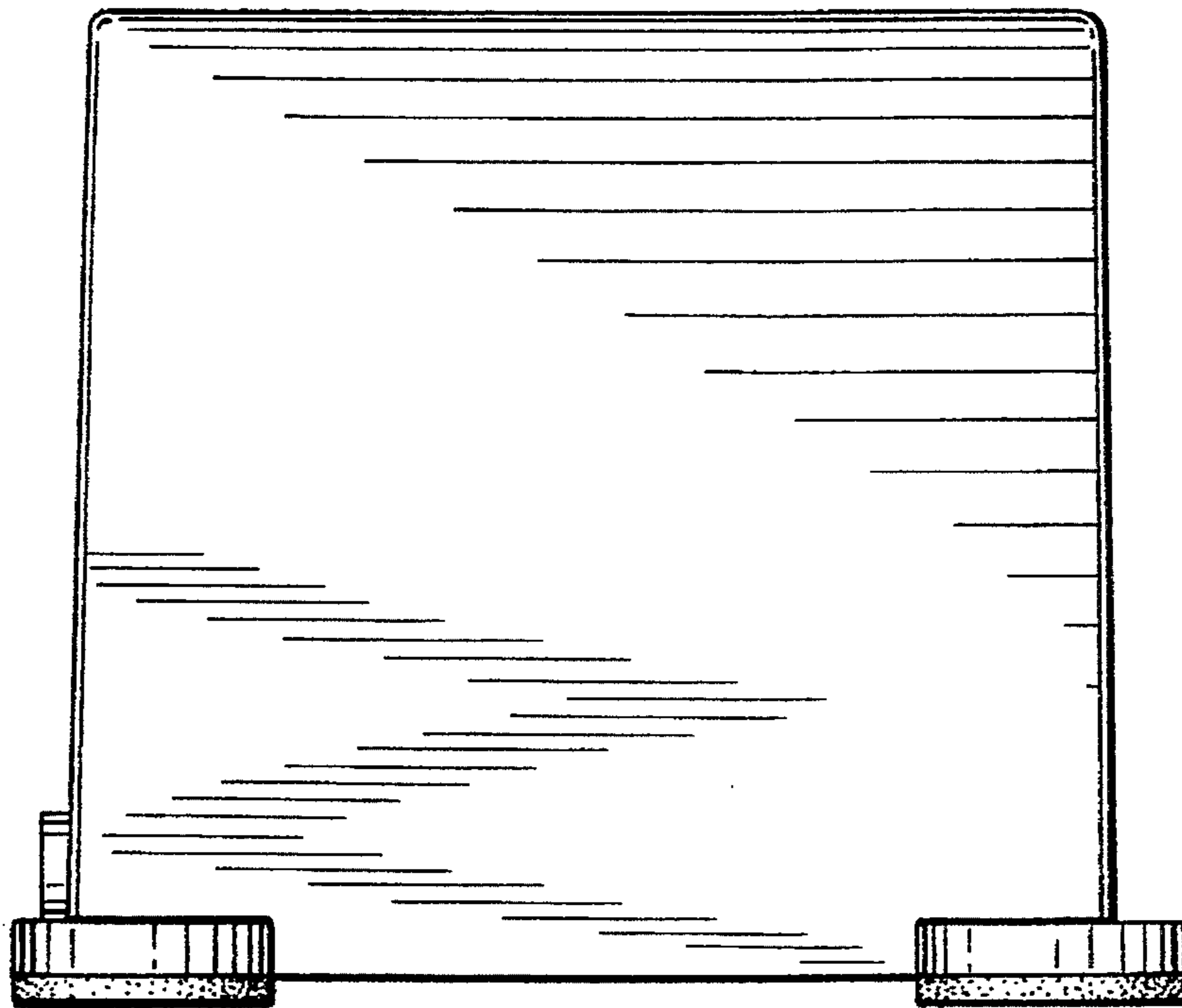


FIG. 5

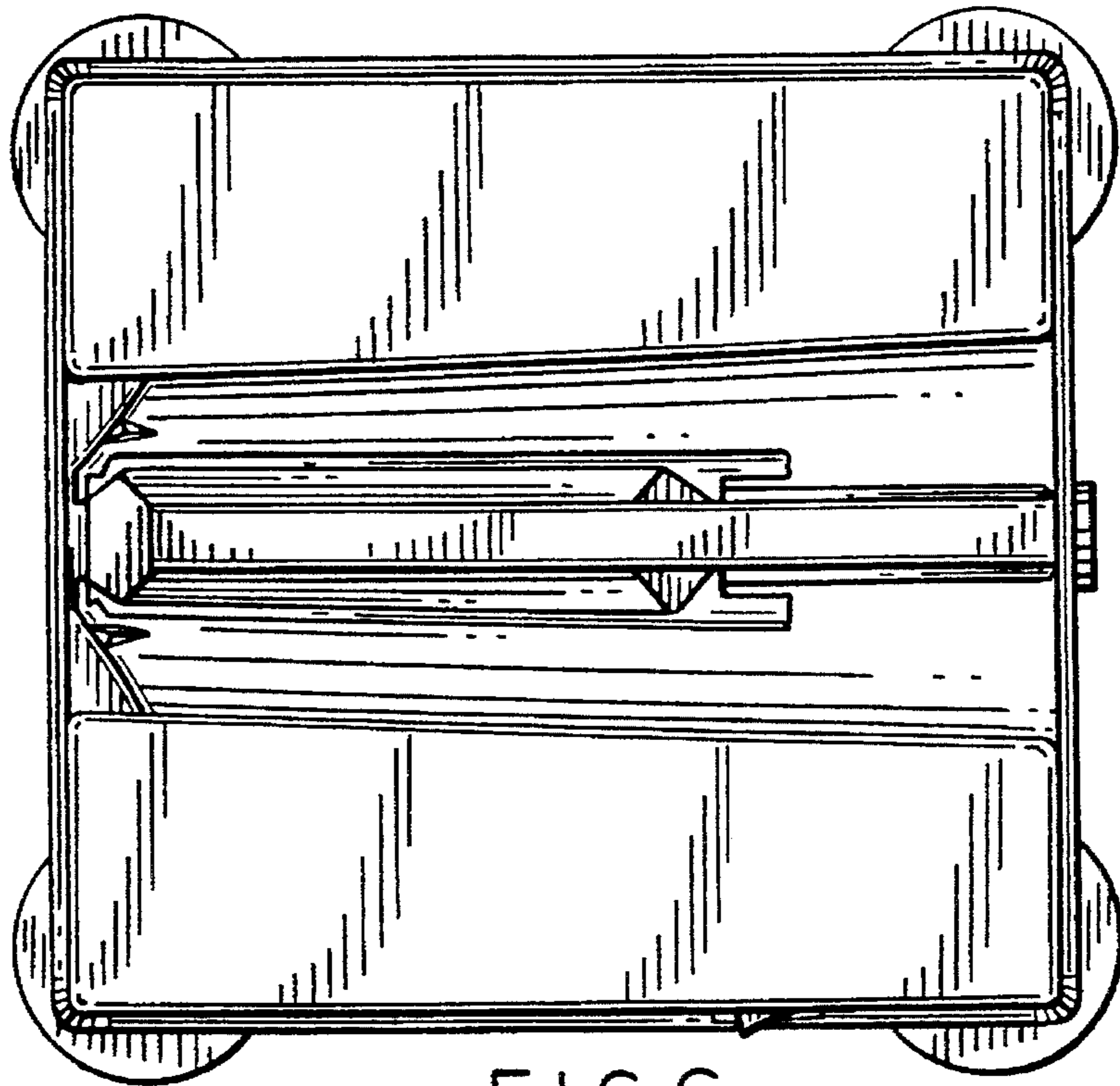


FIG. 6

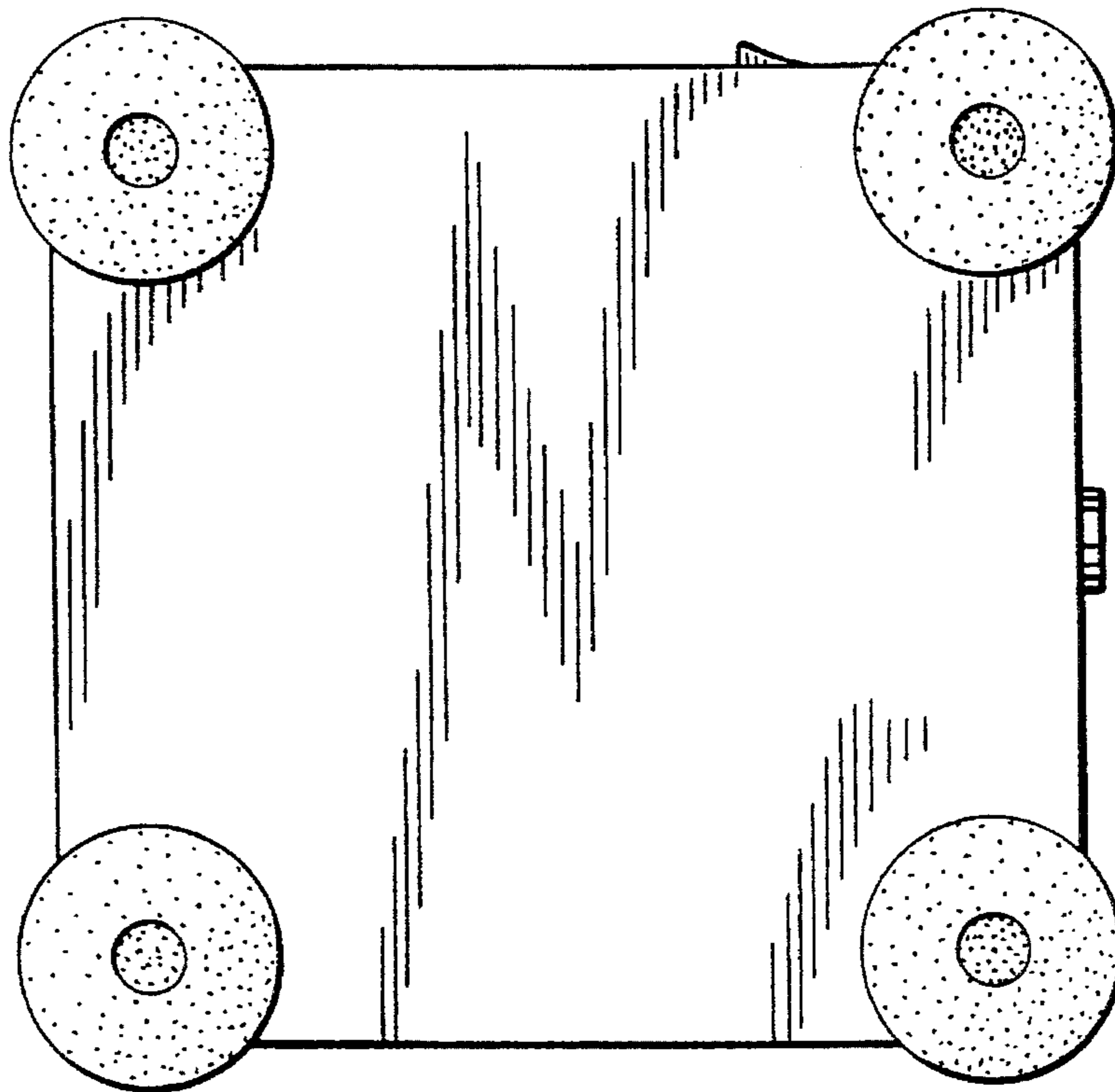


FIG. 7