



US00D363865S

United States Patent [19]

Pulido

[11] **Patent Number: Des. 363,865**

[45] **Date of Patent: **Nov. 7, 1995**

[54] **REBAR CUTTING TOOL**
[76] Inventor: **Cristobal Pulido**, 26964 Manon Ave.,
Hayward, Calif. 94544

[**] Term: **14 Years**

[21] Appl. No.: **21,814**

[22] Filed: **Apr. 25, 1994**

[52] **U.S. Cl.** **D8/51; D8/98**

[58] **Field of Search** **D8/51, 98, 54,**
D8/56; 83/605, 607, 602, 200, 80, 169,
454

[56] **References Cited**

U.S. PATENT DOCUMENTS

3,590,677	8/1971	Smith	83/454
3,893,357	7/1975	Zahlaus	83/80
4,189,966	2/1980	Keigley	83/607
4,233,871	11/1980	Alessi	83/607
4,249,308	2/1981	Boyajian	30/231
4,262,570	4/1981	Doyle	83/607

4,385,538	5/1983	Bieri et al.	83/169
4,722,257	2/1988	Deon et al.	83/605
4,798,078	1/1989	Schweitzer	83/200
4,887,447	12/1989	Schweitzer	72/332

Primary Examiner—Ted Shooman
Assistant Examiner—Philip Hyder

[57] **CLAIM**

The ornamental design for the rebar cutting tool, as shown and described.

DESCRIPTION

FIG. 1 is a front elevational view of the rebar cutting tool showing my new design;
FIG. 2 is a rear elevational view thereof;
FIG. 3 is a left side elevational view thereof;
FIG. 4 is a right side elevational view thereof;
FIG. 5 is a top plan view thereof;
FIG. 6 is a bottom plan view thereof; and,
FIG. 7 is a perspective view thereof.

1 Claim, 4 Drawing Sheets

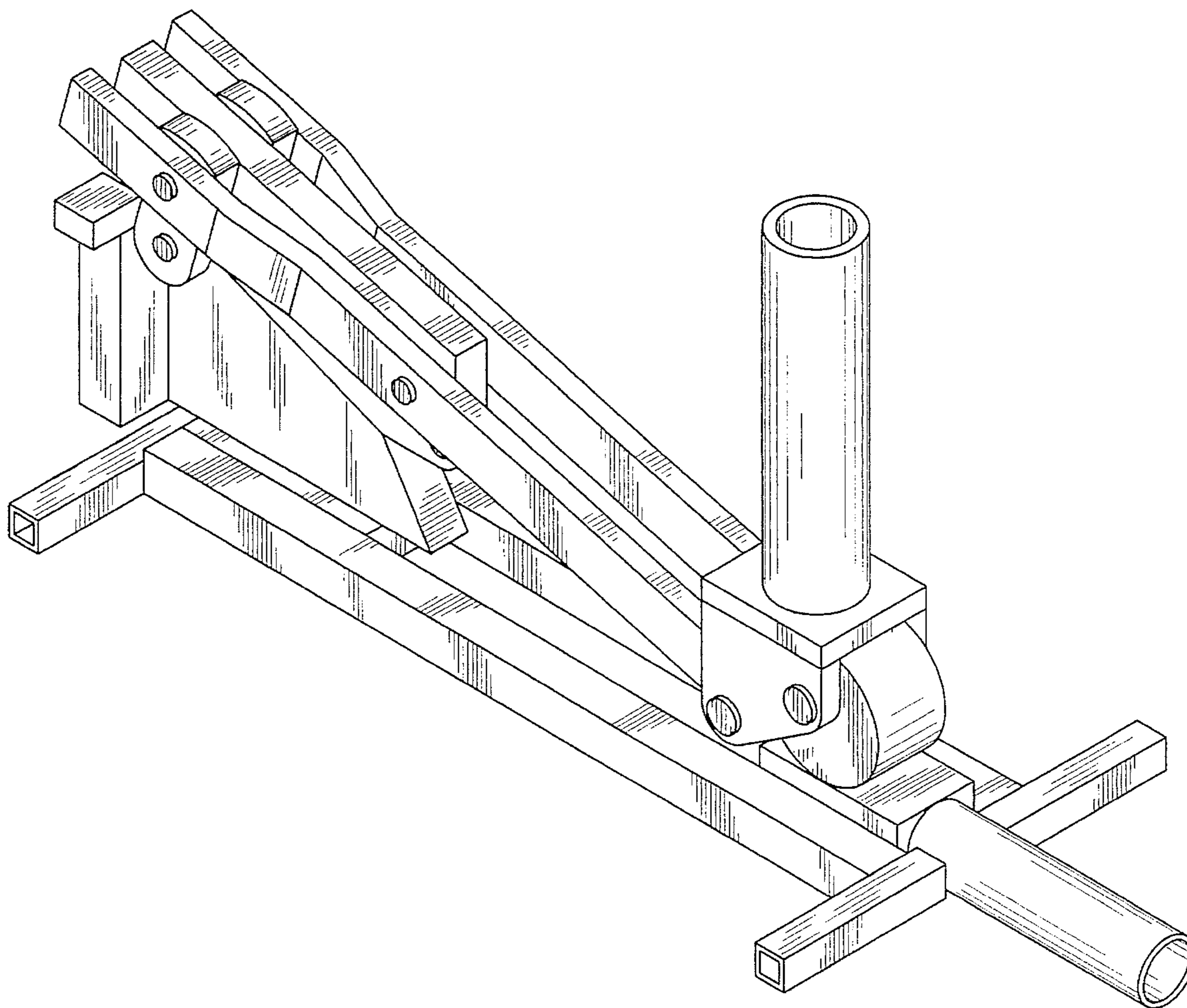


FIG. 1

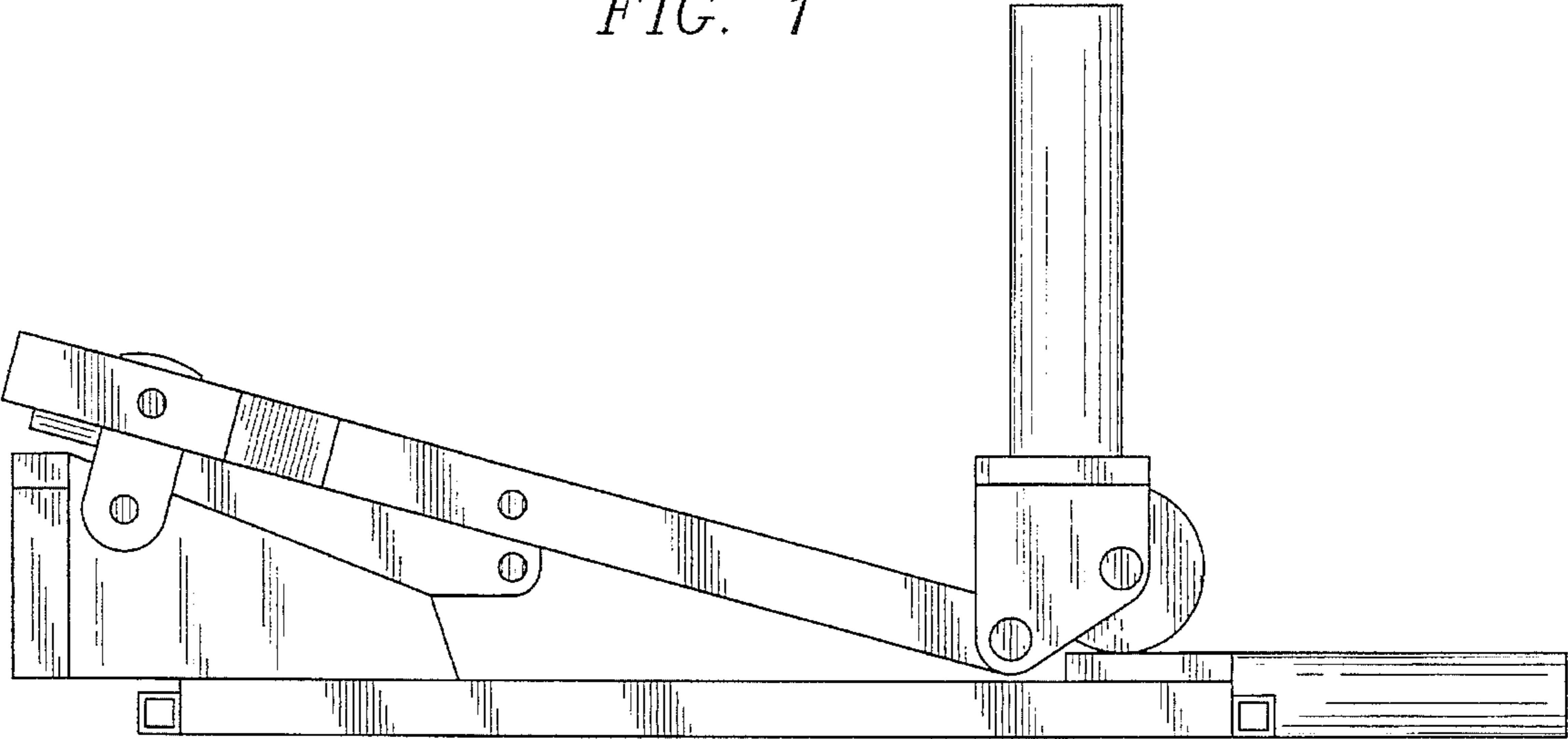


FIG. 2

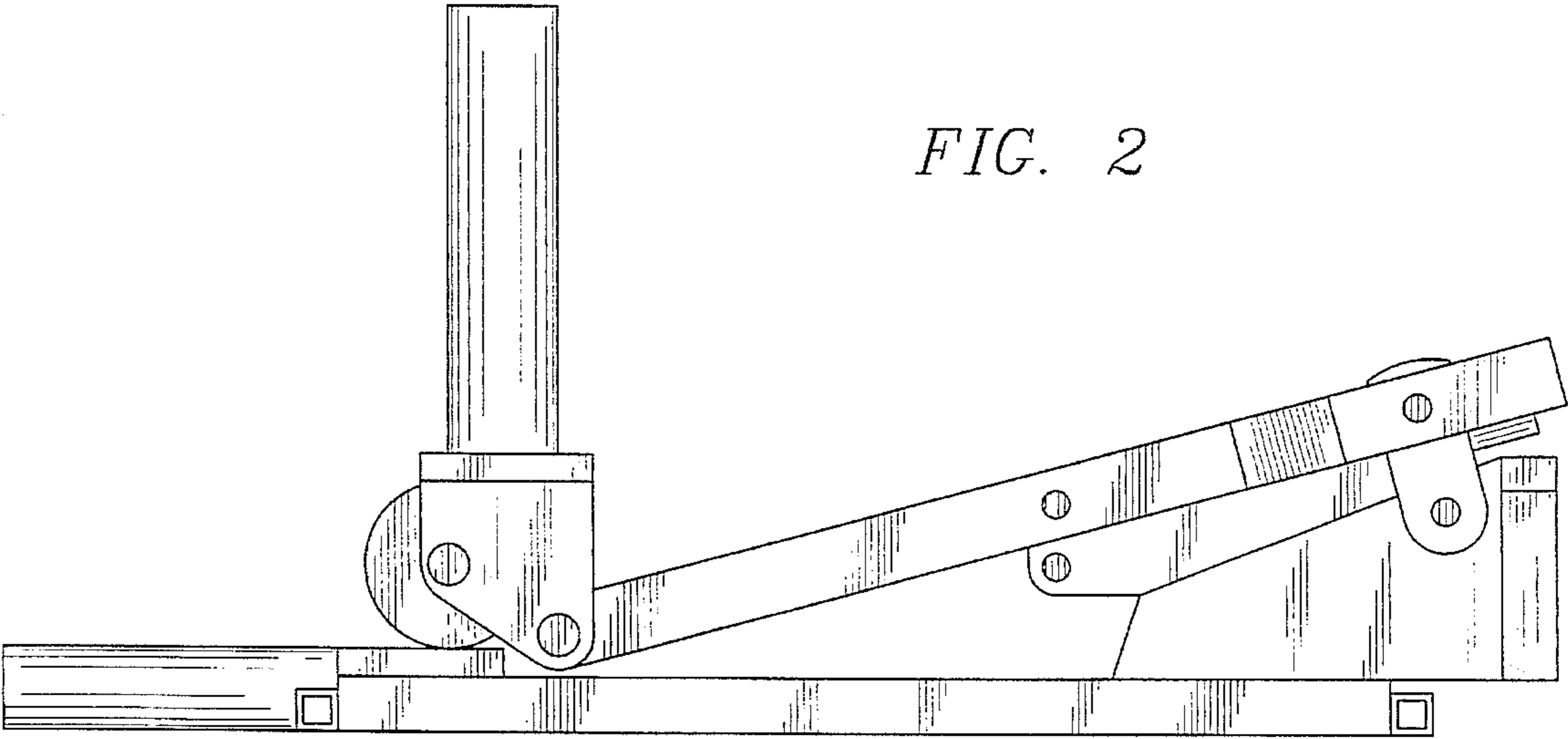


FIG. 3

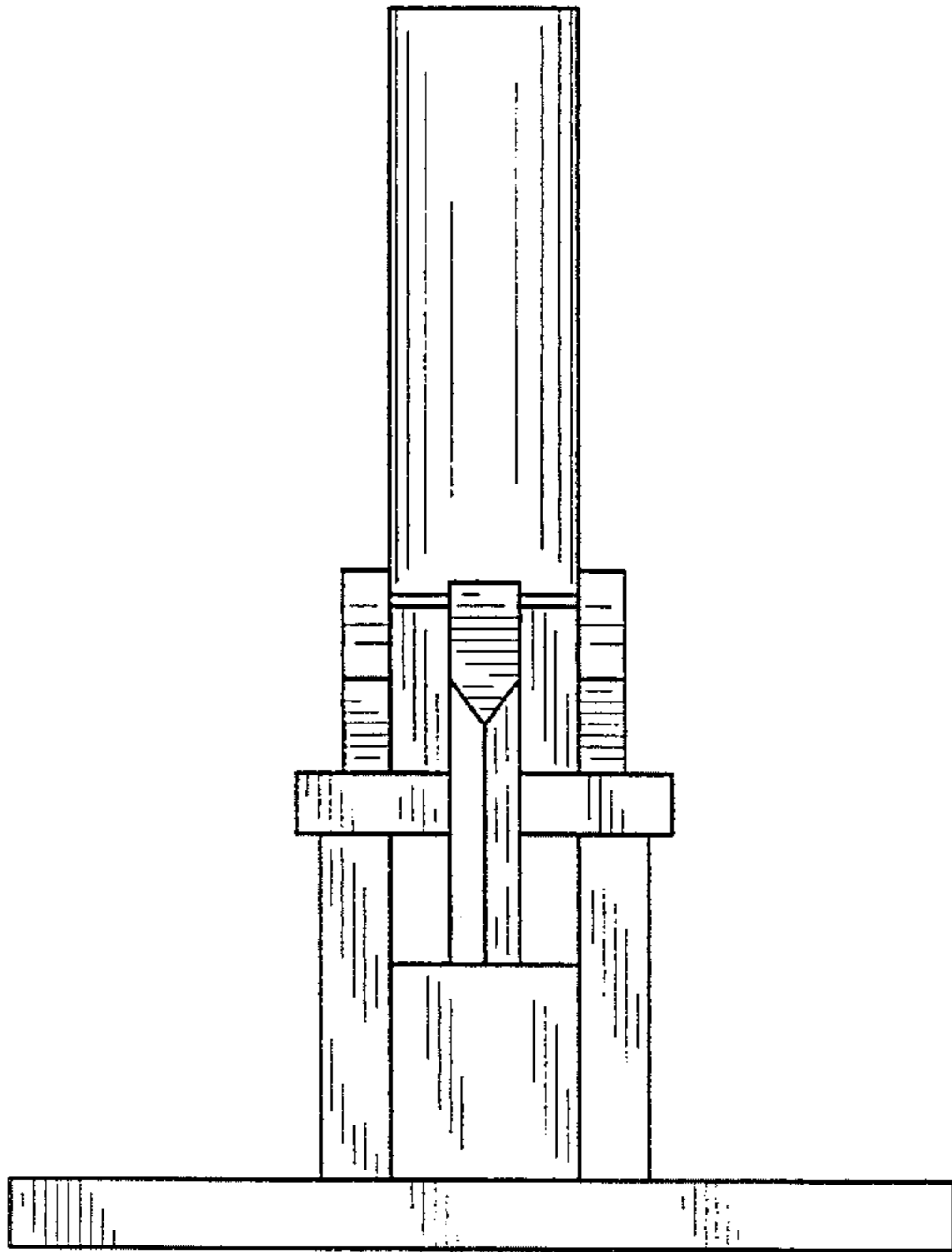


FIG. 4

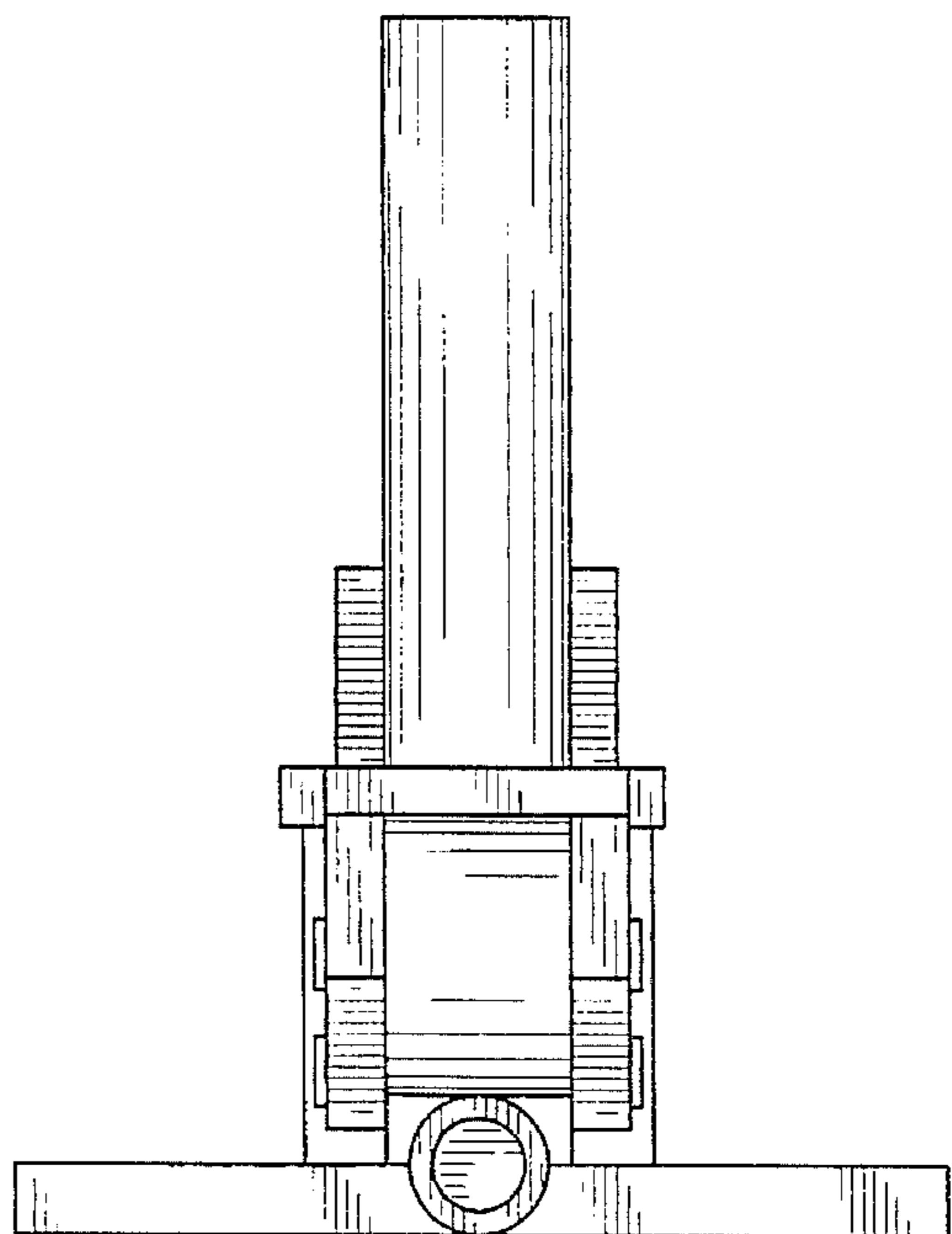


FIG. 5

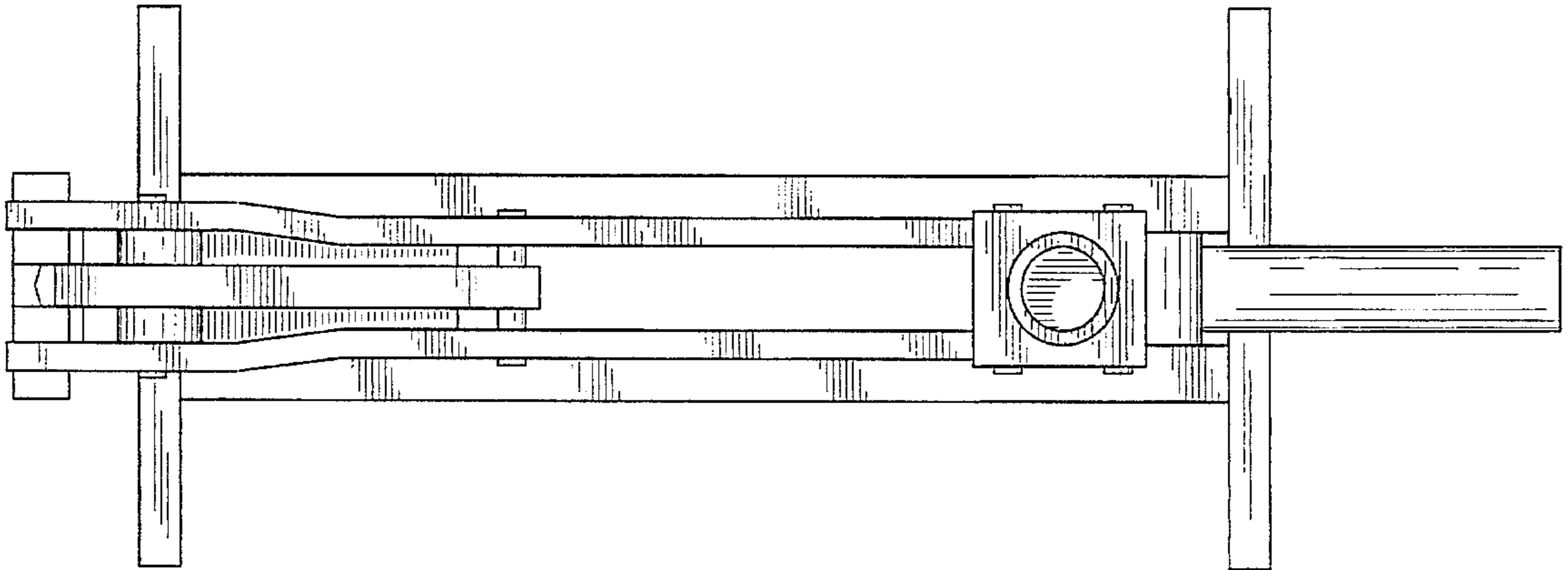


FIG. 6

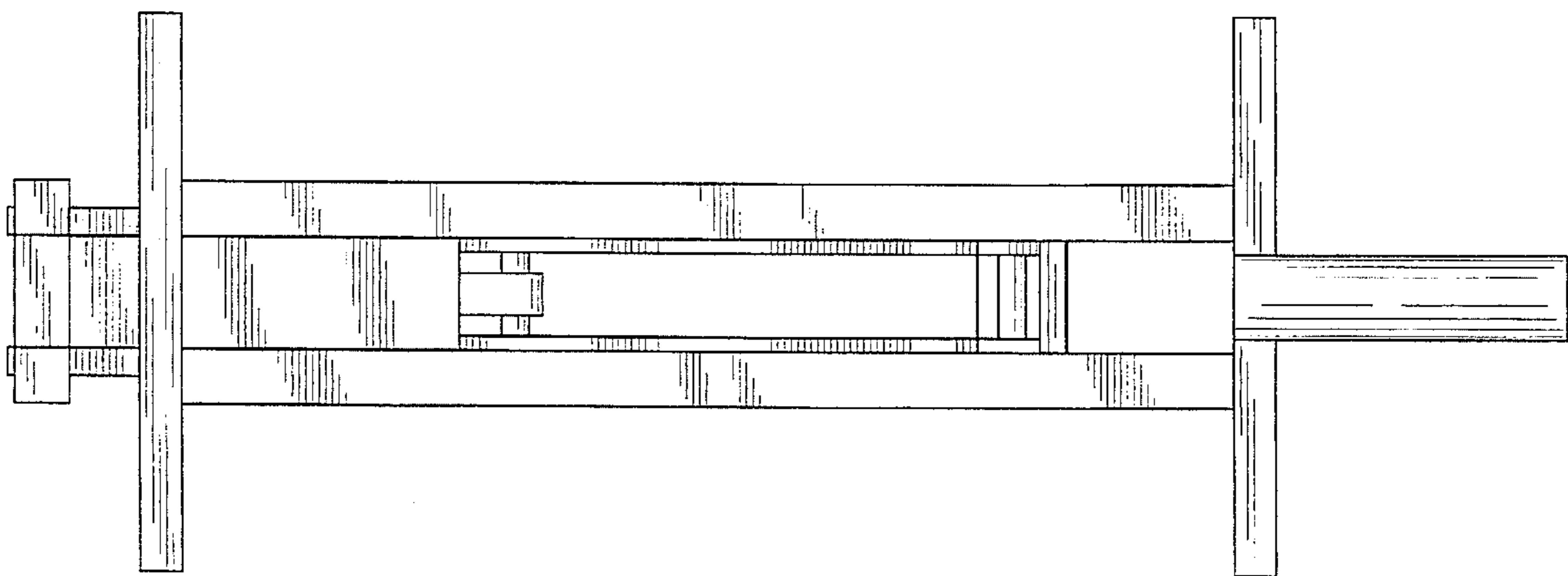


FIG. 7

