



US00D363864S

United States Patent [19]

Masterson et al.

[11] Patent Number: **Des. 363,864**

[45] Date of Patent: ****Nov. 7, 1995**

[54] **RULE PULLER FOR DIE PATTERN DISASSEMBLY**

FOREIGN PATENT DOCUMENTS

2645689 4/1978 Germany .

[75] Inventors: **Allan L. Masterson**, Los Alamitos;
Thomas L. Knutson, Yorba Linda, both
of Calif.

OTHER PUBLICATIONS

“ROBOGRIP” Brochure, 1989.
“EASY 84” Brochure, 1985.
“ELCEDE RULEX 2000” Brochure, 1991.

[73] Assignee: **Frank Wagner & Son**, Ontario, Calif.

[**] Term: **14 Years**

Primary Examiner—Terry A. Wallace
Assistant Examiner—Richelle Shelton
Attorney, Agent, or Firm—Price, Gess & Ubell

[21] Appl. No.: **19,160**

[57] CLAIM

[22] Filed: **Feb. 24, 1994**

[52] U.S. Cl. **D8/51**

The ornamental design for a rule puller for die pattern disassembly, as shown and described.

[58] Field of Search D8/51, 499; 294/106,
294/115; 29/270, 747, 764, 252; 81/129

DESCRIPTION

[56] References Cited

U.S. PATENT DOCUMENTS

1,877,684	9/1932	Nickerson .	
2,215,844	9/1940	Van Syckle .	
3,040,921	6/1962	Davis .	
3,042,987	7/1962	Lalli	81/129 X
3,061,357	10/1962	Wright .	
3,370,213	2/1968	Rose .	
3,606,443	9/1971	Painter et al. .	
3,759,563	9/1973	Kitamura .	
3,870,359	3/1975	Hultquist .	
3,875,643	4/1975	Cramer	29/252
4,068,374	1/1978	Coller	29/747

FIG. 1 is a front perspective view of the rule puller for die pattern disassembly showing the new design; FIG. 2 is a right side view thereof; FIG. 3 is a top plan view thereof; FIG. 4 is a bottom plan view thereof; FIG. 5 is a front elevational view thereof; FIG. 6 is a left side view thereof; and, FIG. 7 is a rear elevational view thereof. The broken line showing of the environmental structure of a die in FIG. 1 is for illustrative purposes only and forms no part of the claimed design.

1 Claim, 2 Drawing Sheets

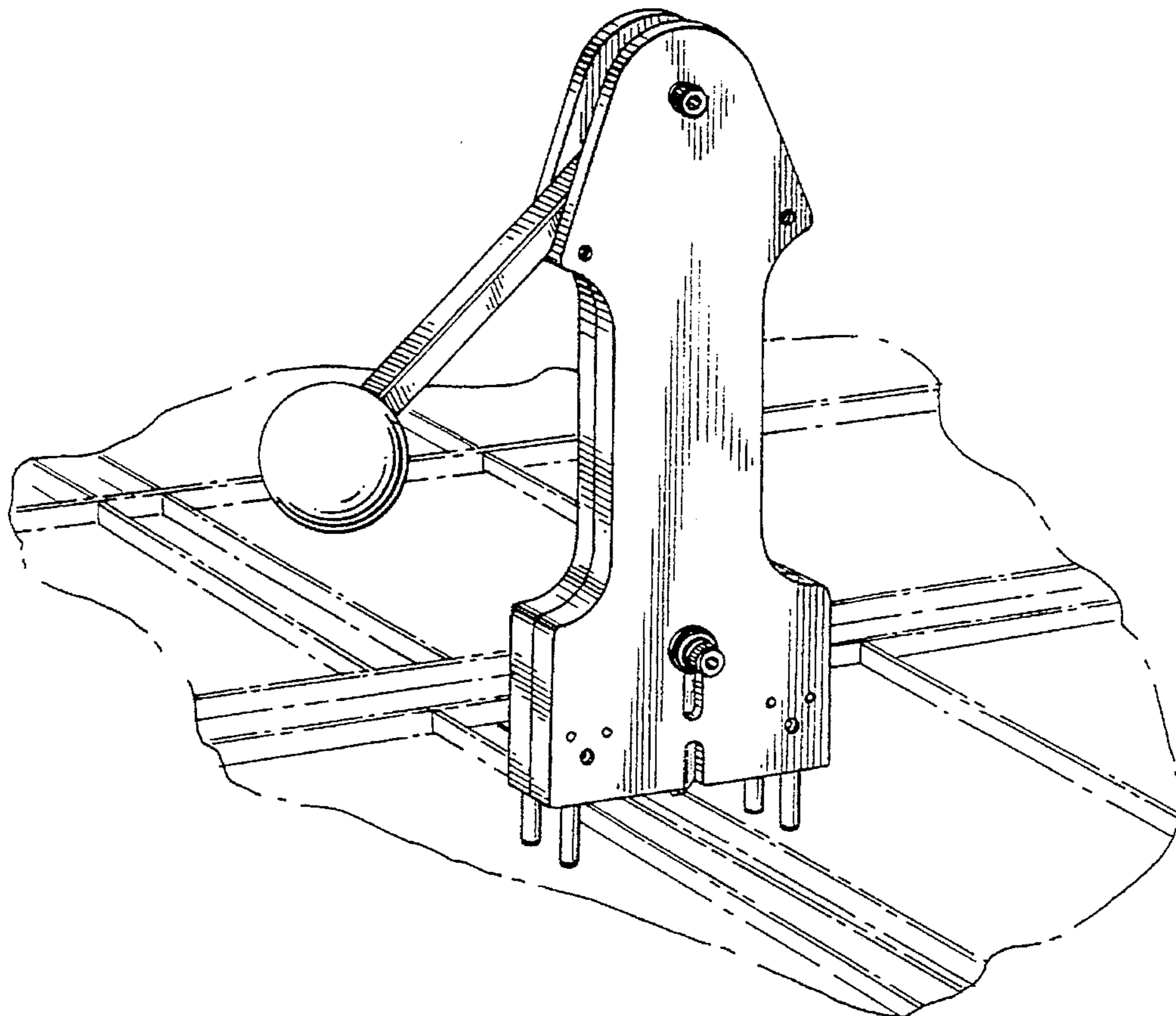


FIG. 1

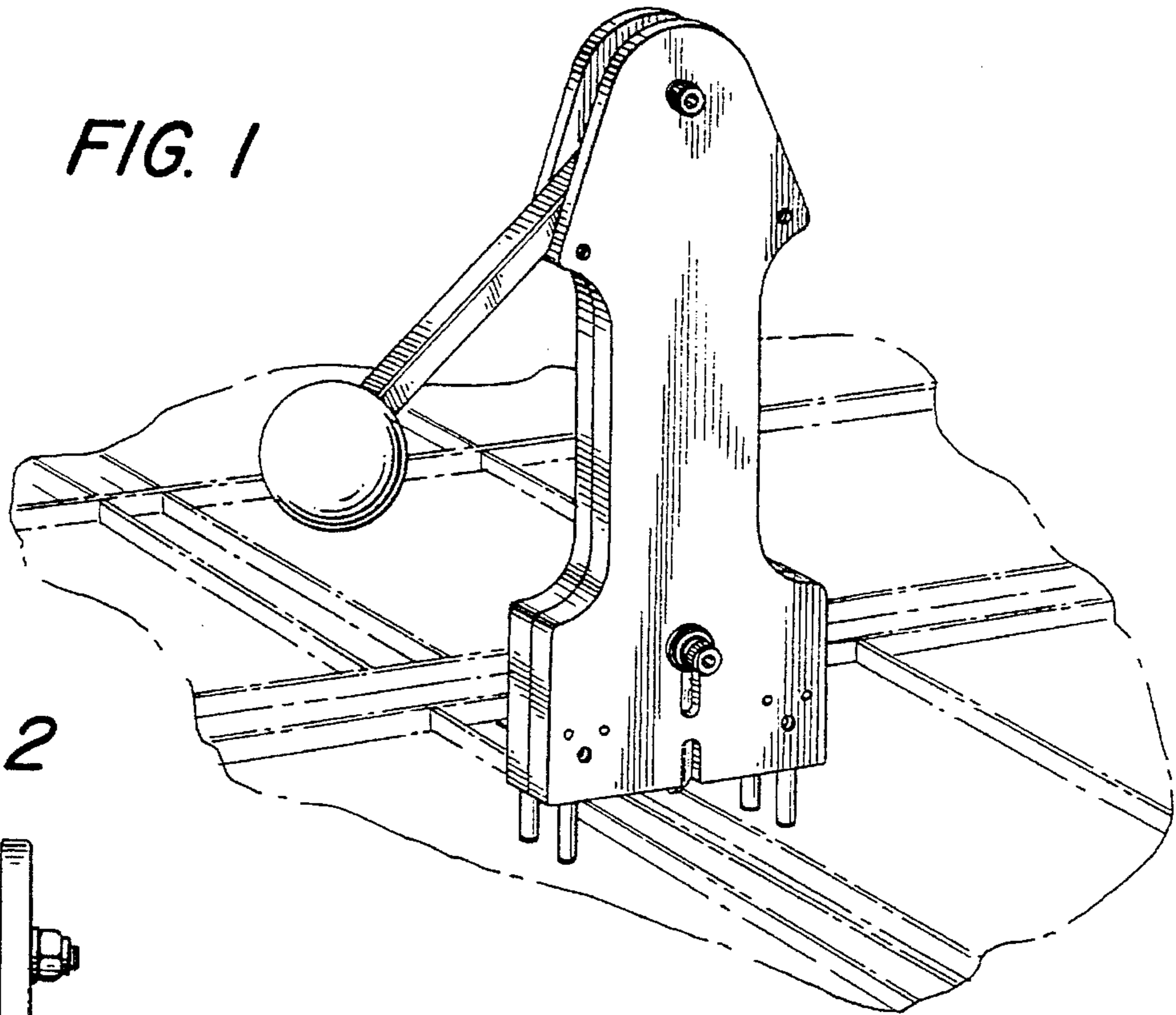


FIG. 2

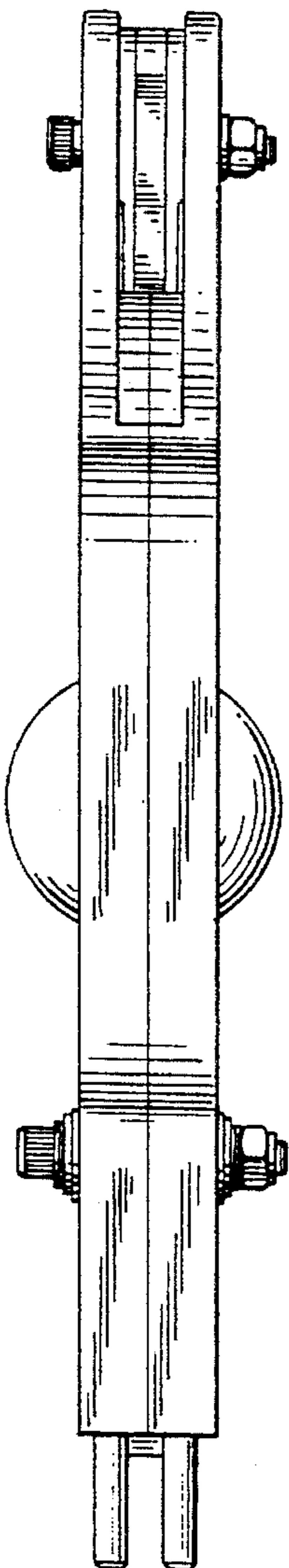


FIG. 3

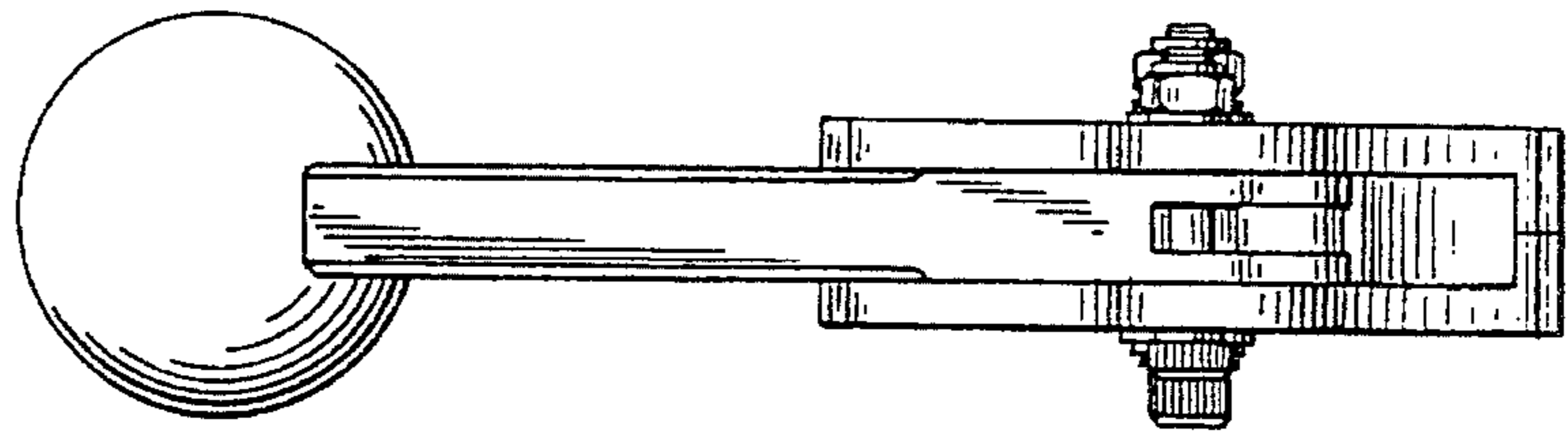


FIG. 4

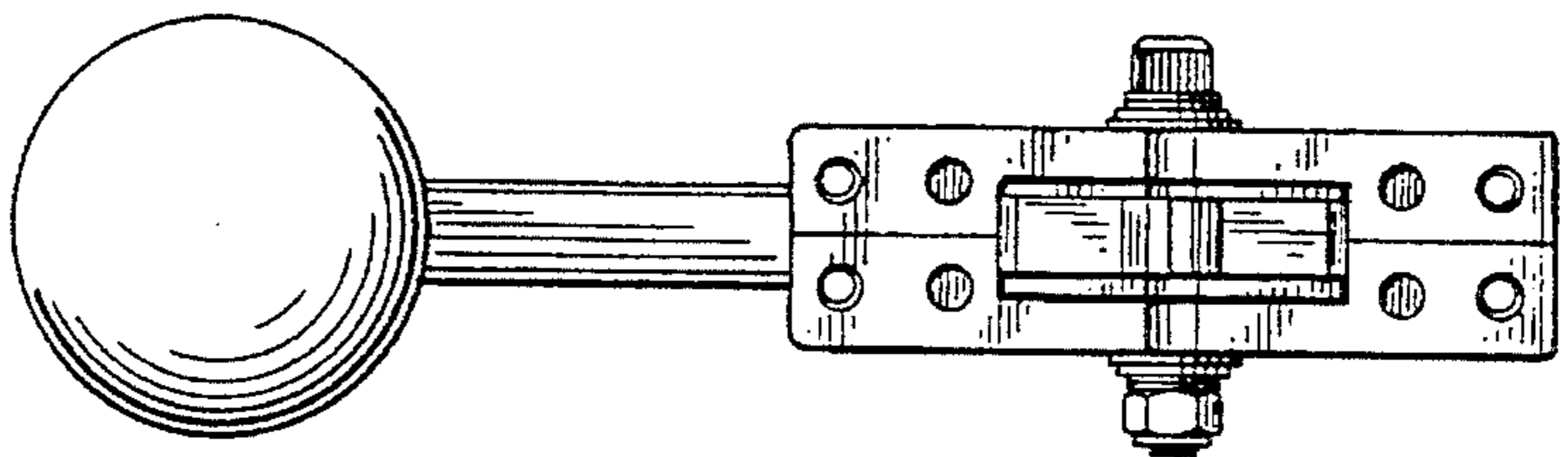


FIG. 7

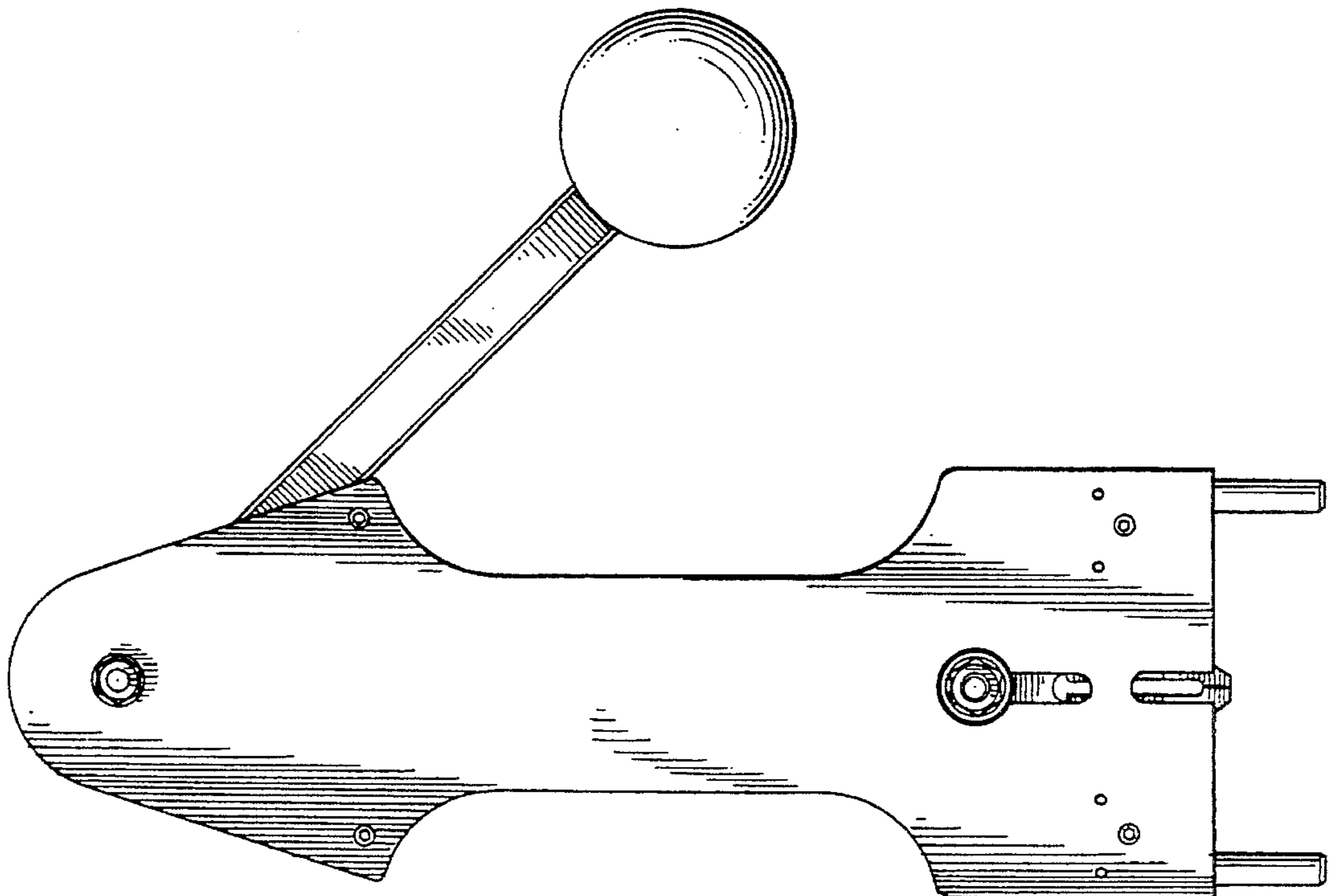


FIG. 6

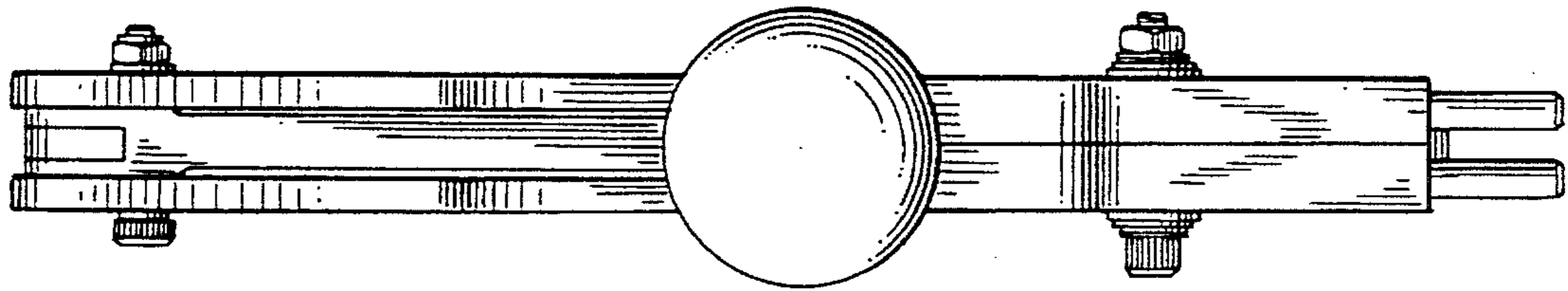


FIG. 5

