



US00D363863S

United States Patent [19] Tipp

[11] **Patent Number: Des. 363,863**

[45] **Date of Patent: **Nov. 7, 1995**

[54] **COMPACT TAB LIFTING TOOL**

5,309,793 5/1994 Tipp 81/3.43

[76] Inventor: **Raymond P. Tipp**, P.O. Box 3778,
Missoula, Mont. 59806

Primary Examiner—Ted Shooman
Assistant Examiner—Adir Aronovich

[**] Term: **14 Years**

[57] **CLAIM**

[21] Appl. No.: **23,344**

The ornamental design of a compact tab lifting tool, as shown and described.

[22] Filed: **May 23, 1994**

[52] U.S. Cl. **D8/40; D8/18**

[58] Field of Search **D8/18, 33, 34,
D8/40-43; 81/3.43, 3.4, 3.09, 3.15, 3.55,
64**

DESCRIPTION

FIG. 1 is a top perspective view of a compact tab lifting tool showing my new design;
FIG. 2 is a bottom plan view thereof;
FIG. 3 is a side elevational view thereof;
FIG. 4 is a front elevational view thereof, the rear elevational view being a mirror image;
FIG. 5 is a top plan view thereof; and,
FIG. 6 is a side elevational view opposite of that shown in FIG. 3;

[56] References Cited

U.S. PATENT DOCUMENTS

D. 249,451	9/1978	Bujan	D8/18
D. 293,199	12/1987	Grenley	D8/18
4,563,919	1/1986	Sellars	81/3.55
4,660,446	4/1987	Soltis	81/3.55
4,911,038	3/1990	Ferrin	81/3.09

1 Claim, 1 Drawing Sheet

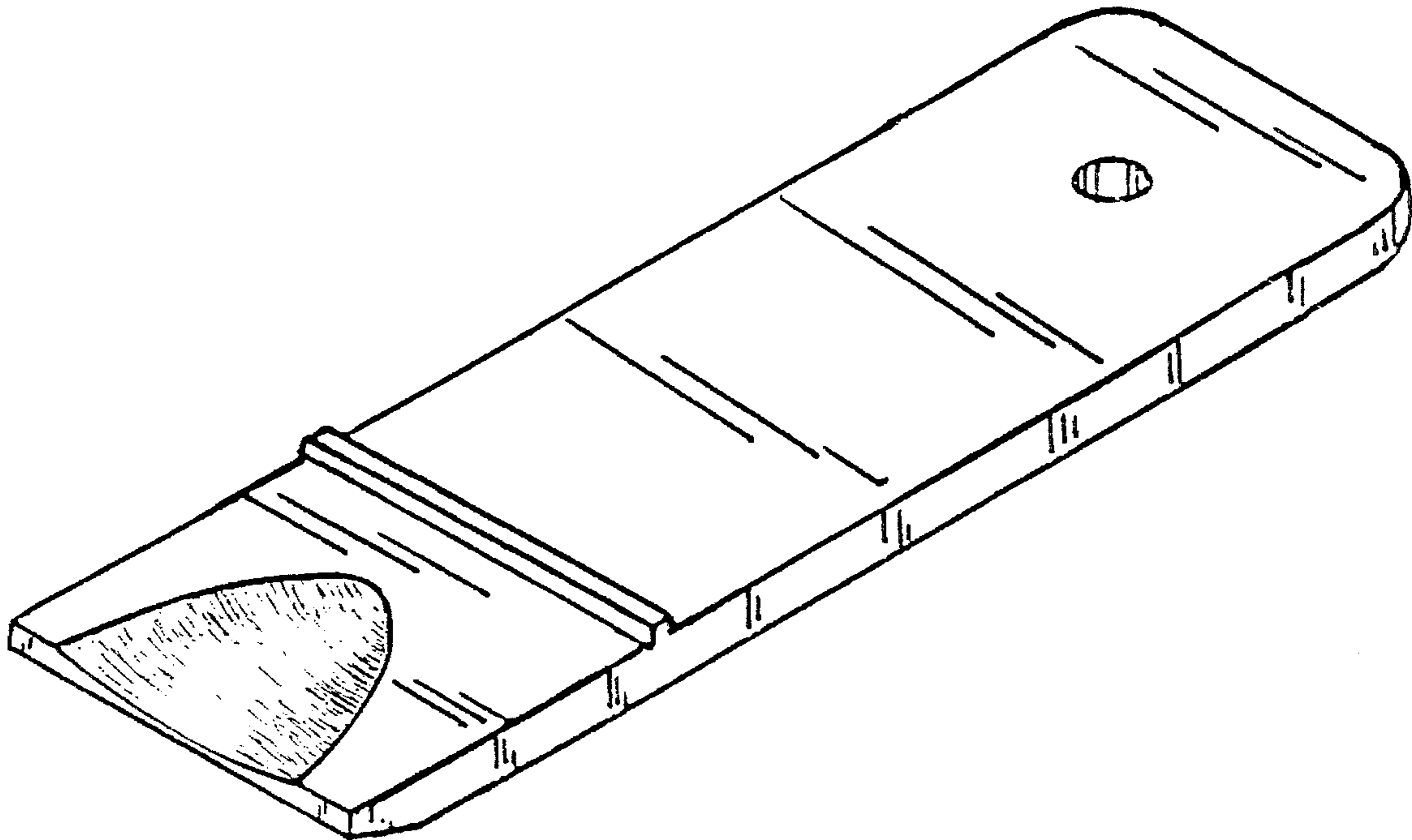


FIG. 1

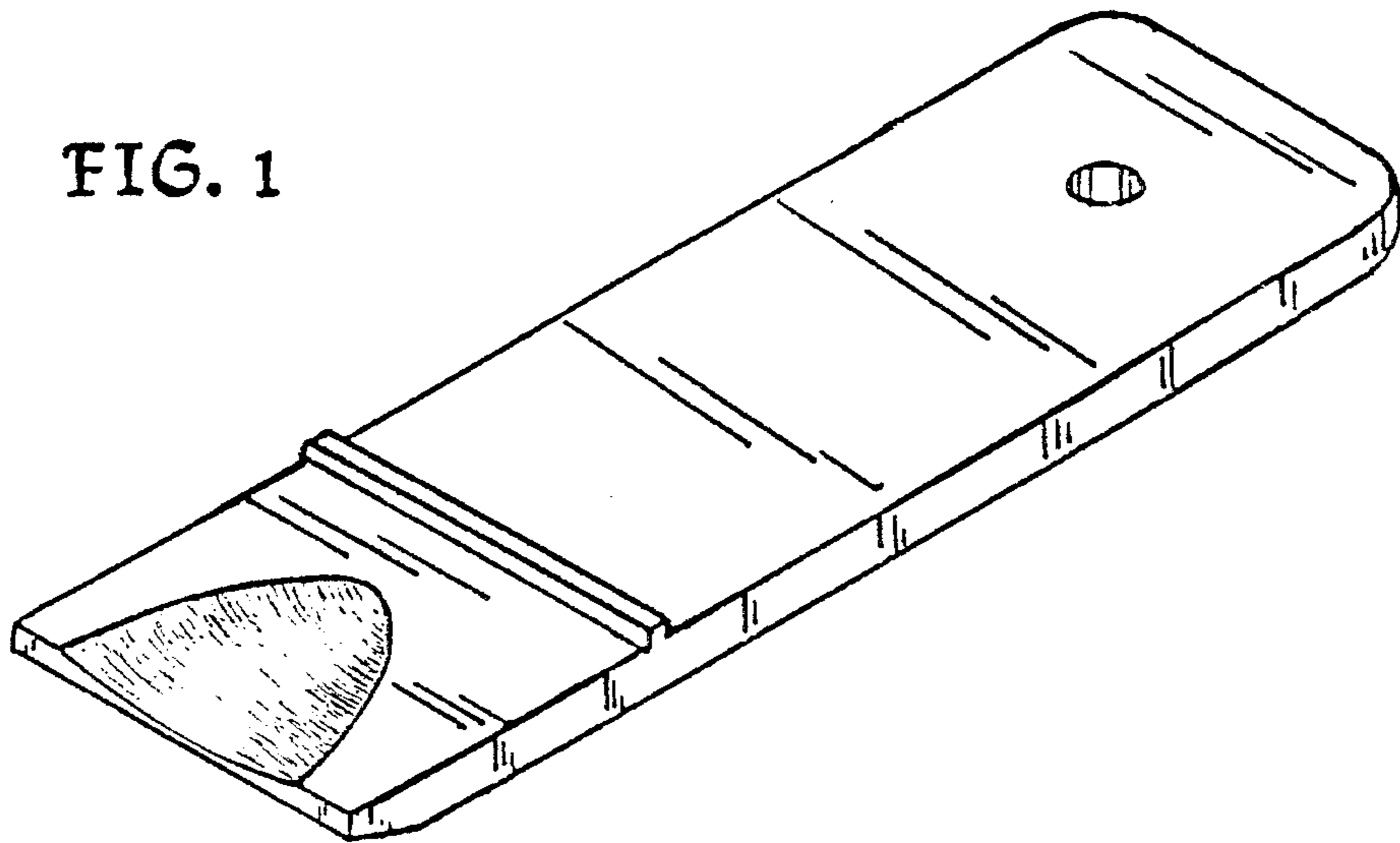


FIG. 2

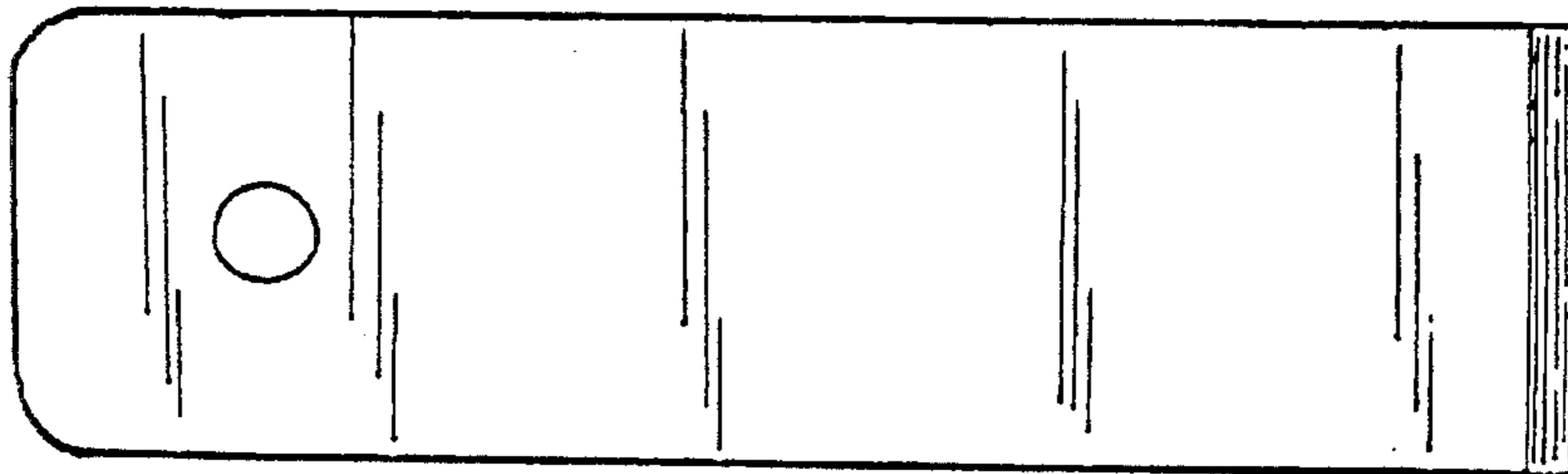


FIG. 3



FIG. 4

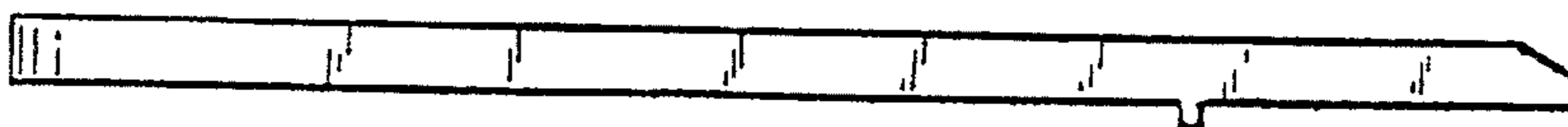


FIG. 5

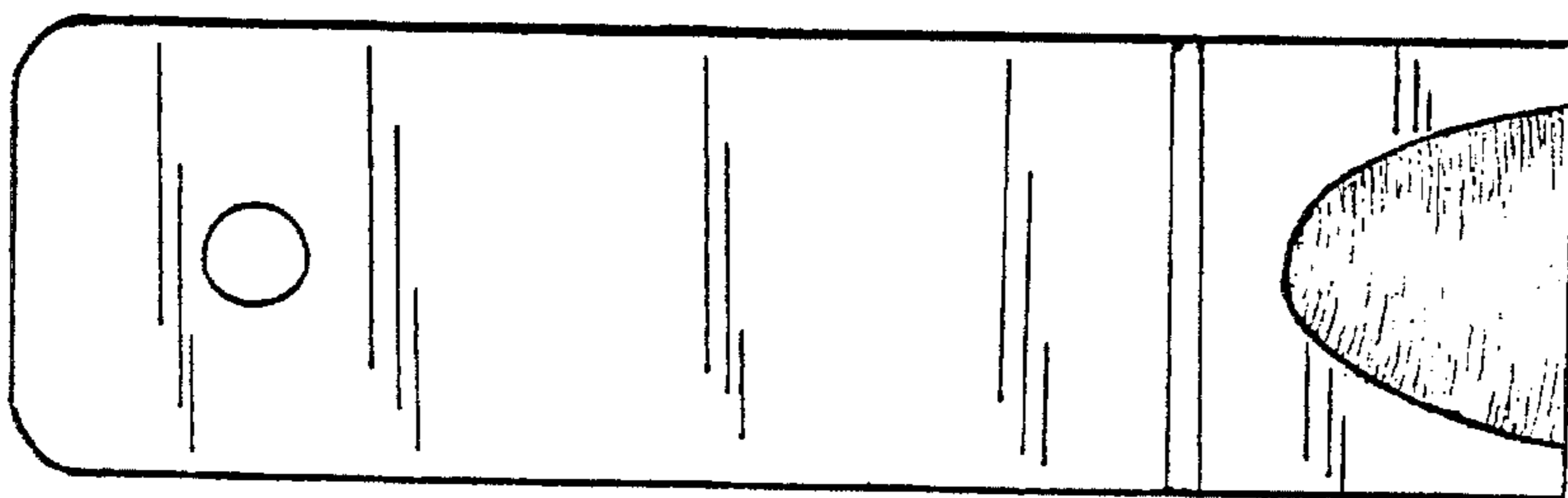


FIG. 6

