



US00D363862S

United States Patent [19]
Lusignan

[11] **Patent Number:** **Des. 363,862**
[45] **Date of Patent:** ****Nov. 7, 1995**

[54] **SHOVEL**

[76] Inventor: **Richard V. Lusignan**, 35 Lancer La.,
West Warwick, R.I. 02893

[**] Term: **14 Years**

[21] Appl. No.: **25,092**

[22] Filed: **Jun. 27, 1994**

[52] U.S. Cl. **D8/10**

[58] Field of Search **D8/10; D30/162;**
D32/74; 294/49, 55, 1.3

[56] **References Cited**

U.S. PATENT DOCUMENTS

D. 233,158	10/1974	Lowe	294/1.3	X
433,546	8/1890	Smith	294/49	X
1,353,307	9/1920	Berger	294/49	X
2,960,230	11/1960	Fracker	294/49	X

FOREIGN PATENT DOCUMENTS

945959	5/1949	France	294/49	
--------	--------	--------	-------	--------	--

OTHER PUBLICATIONS

Industrial Plastics Catalogue, Apr. 8, 1987, sifting scoop, circled at left of page.

Primary Examiner—A. Hugo Word
Assistant Examiner—Holly Baynham
Attorney, Agent, or Firm—Salter & Michaelson

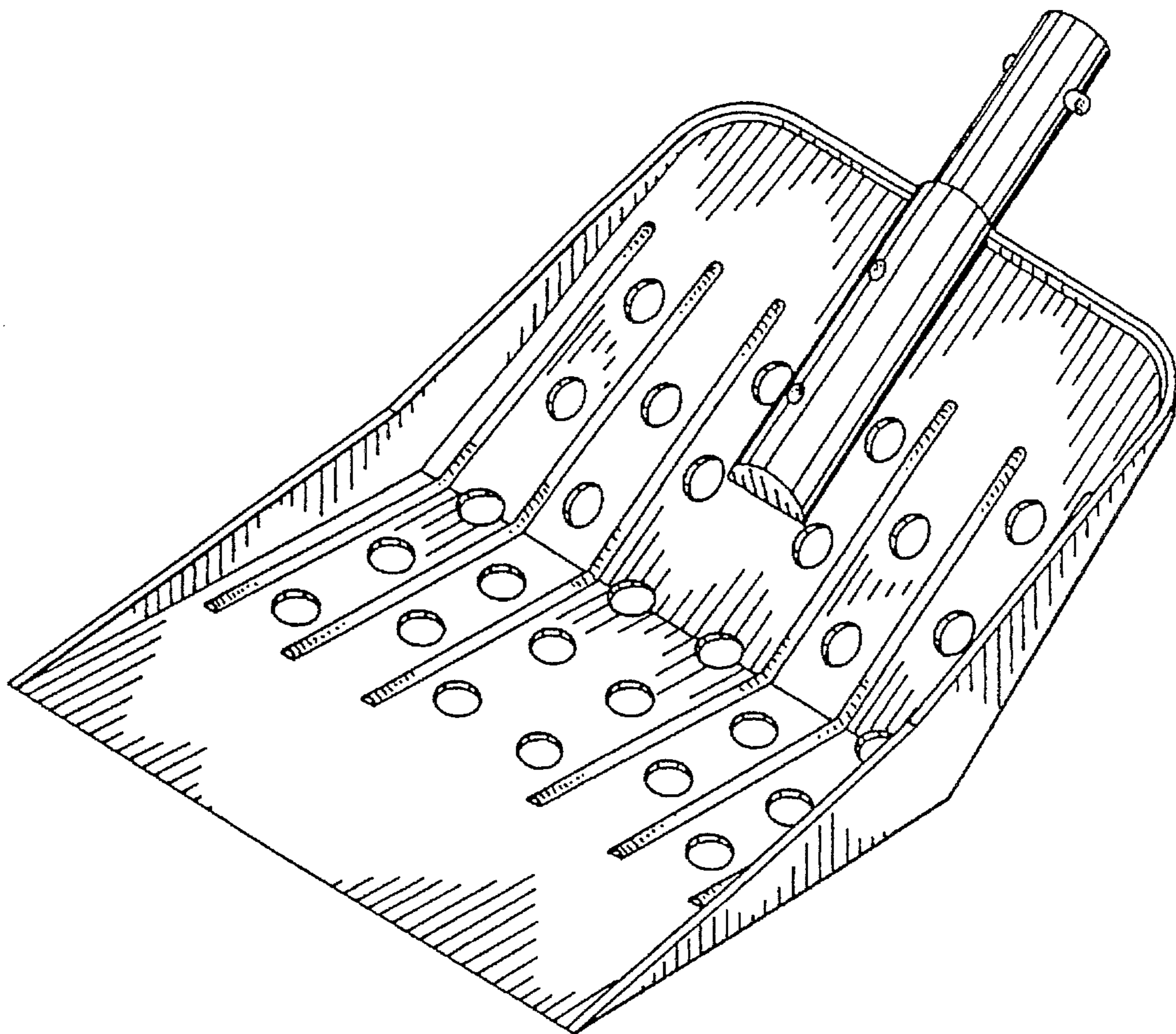
[57] **CLAIM**

The ornamental design for a shovel, as shown.

DESCRIPTION

FIG. 1 is a perspective view of the instant shovel design; FIG. 2 is a top view thereof; FIG. 3 is a bottom view thereof; FIG. 4 is a right side view thereof; FIG. 5 is a left side view thereof; FIG. 6 is a front view thereof; and, FIG. 7 is a rear view thereof.

1 Claim, 2 Drawing Sheets



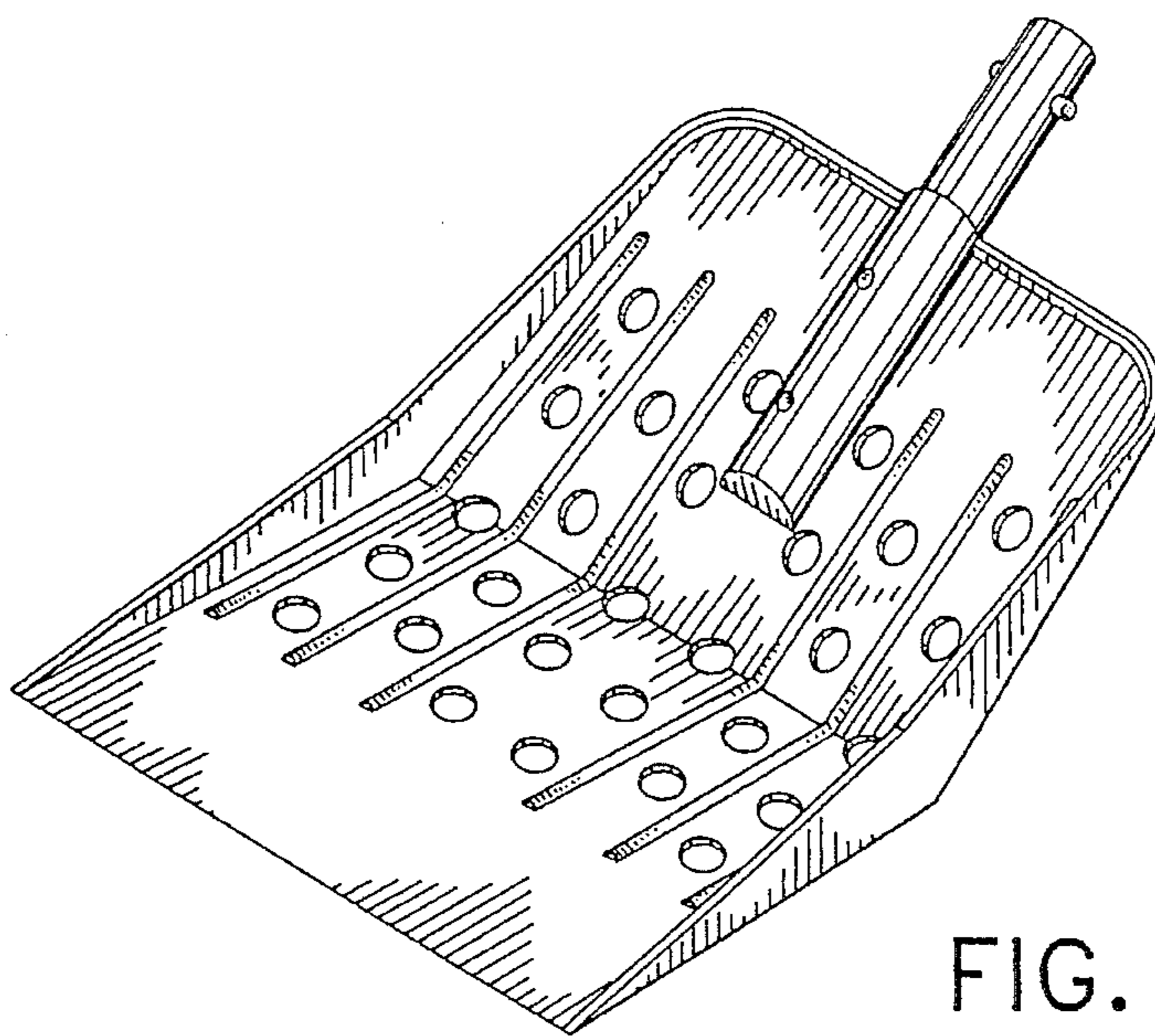


FIG. 1

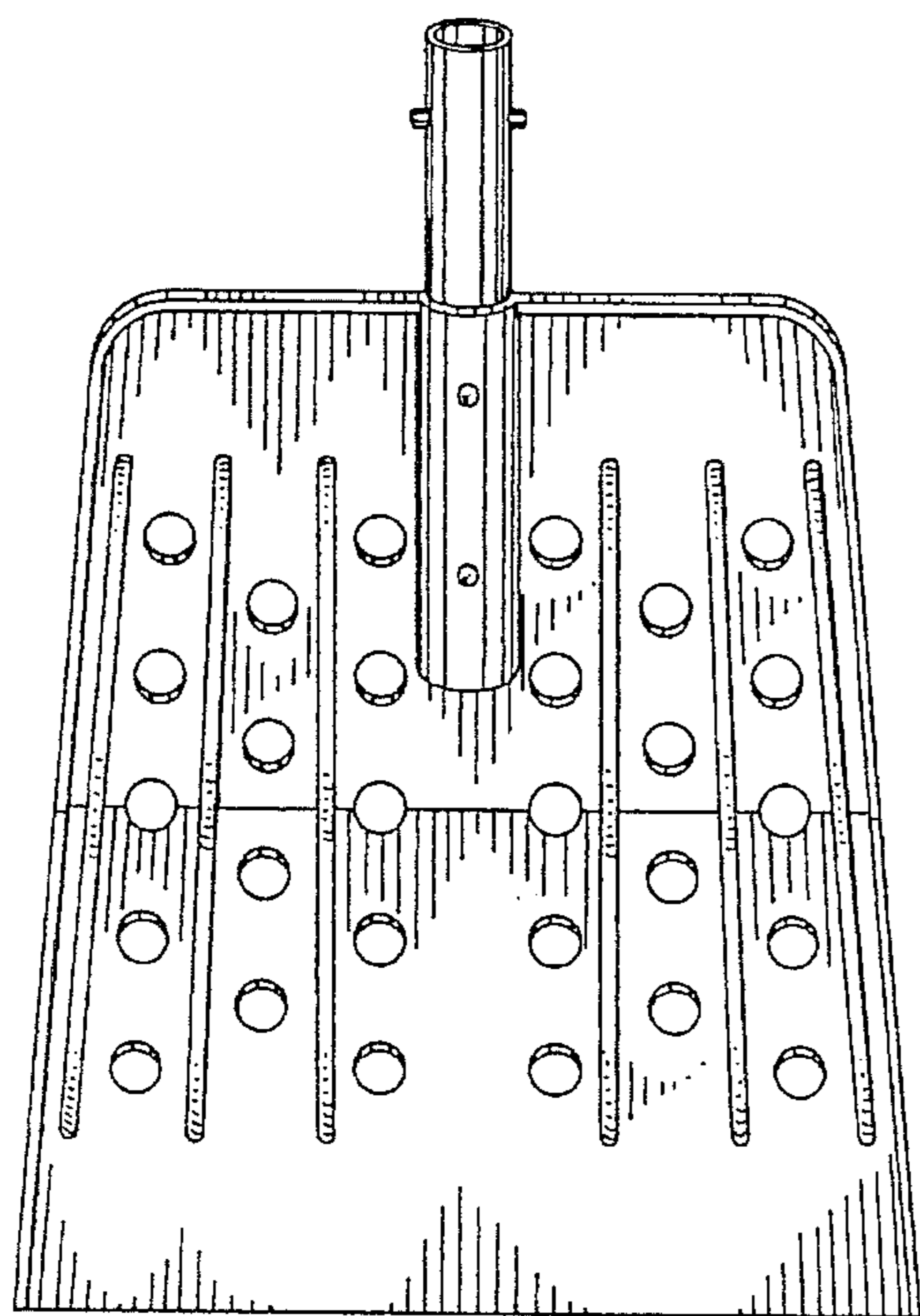


FIG. 2

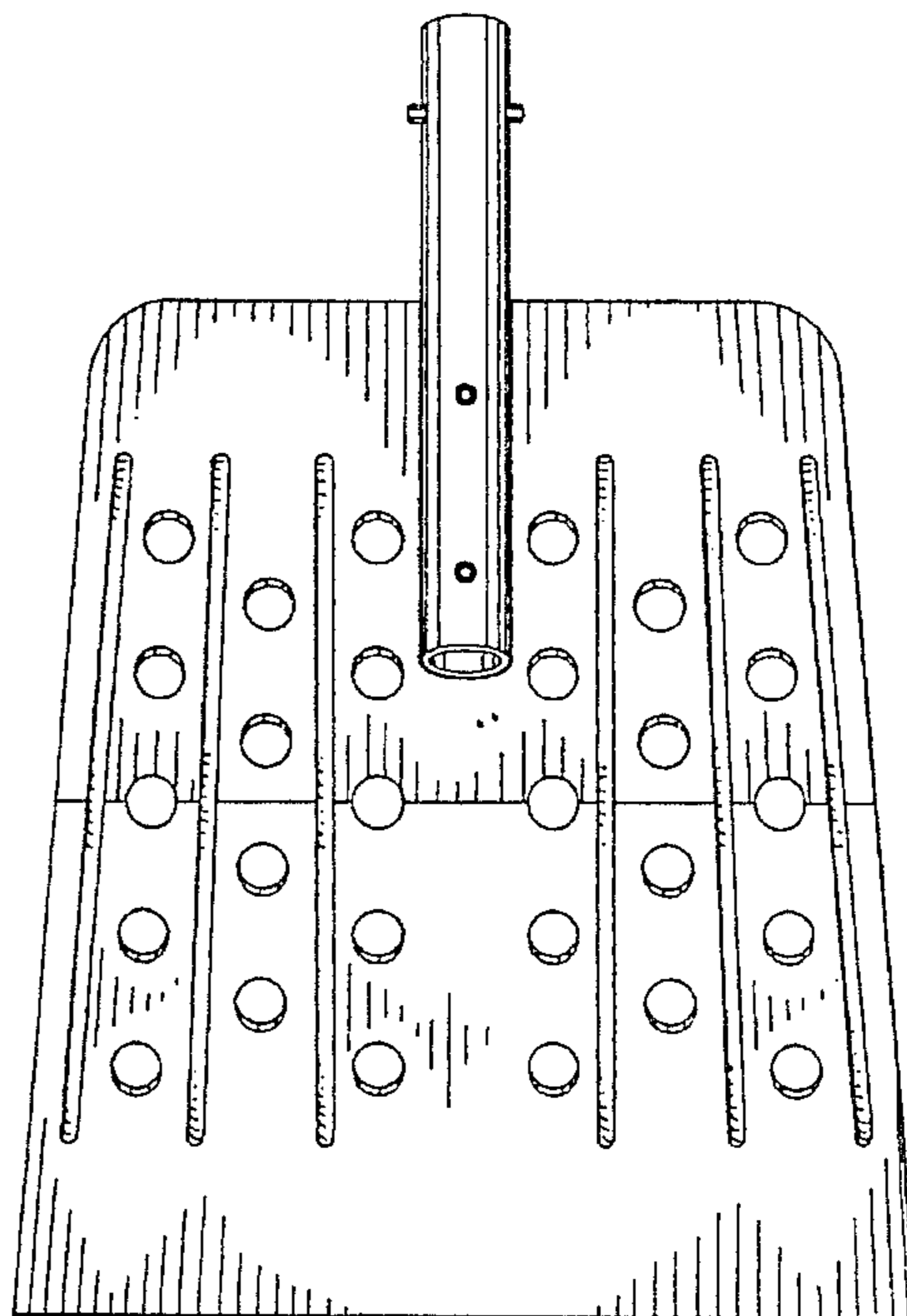


FIG. 3

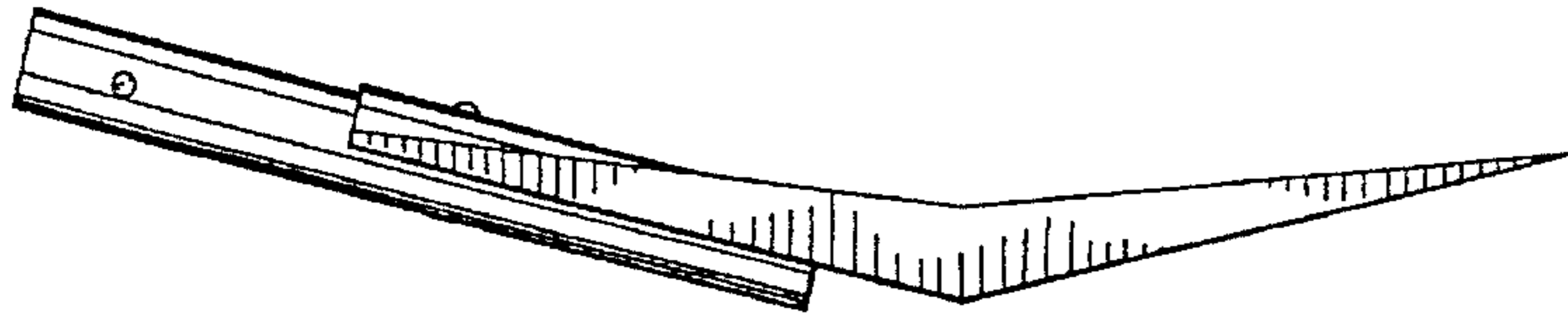


FIG. 4

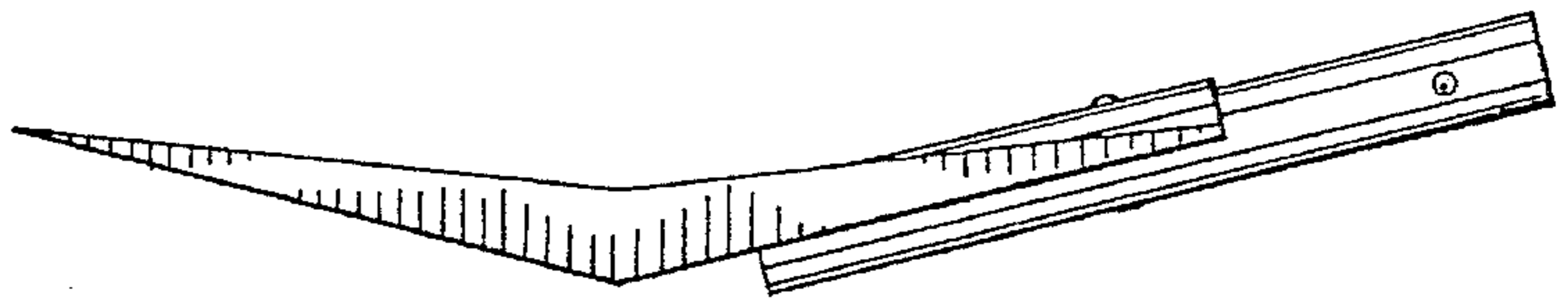


FIG. 5

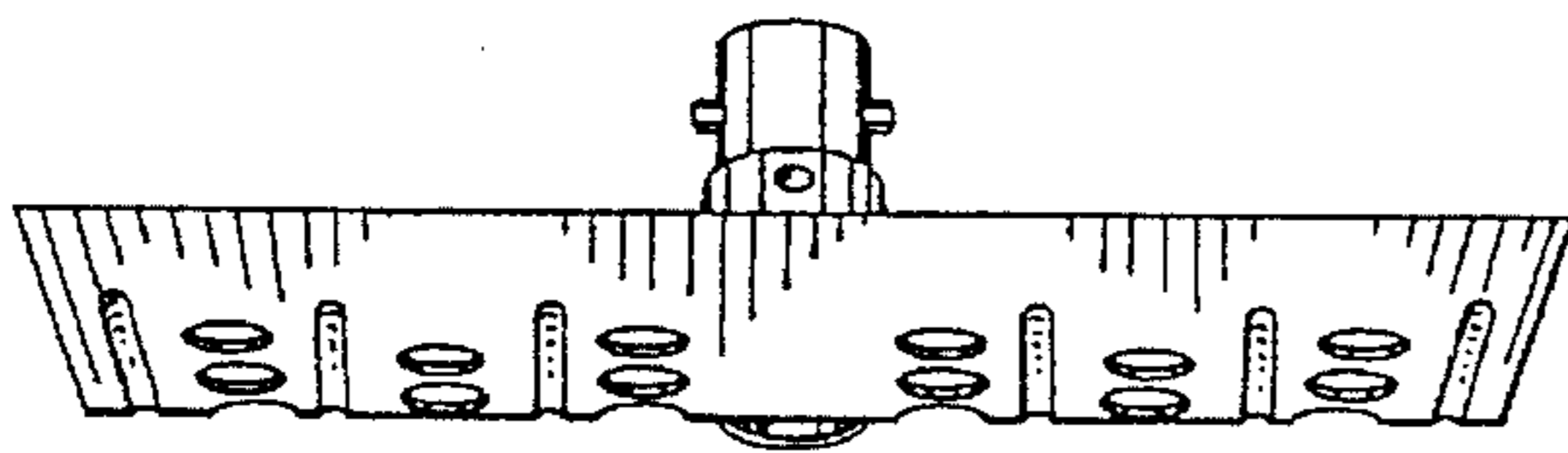


FIG. 6

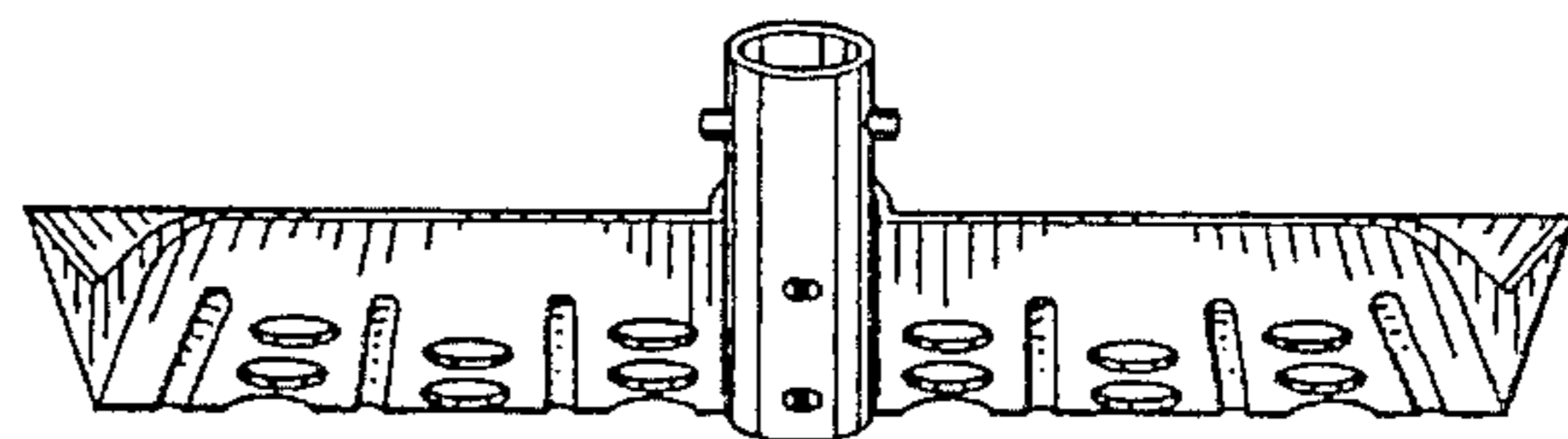


FIG. 7