



US00D363860S

**United States Patent** [19]  
**Gallo**

[11] **Patent Number:** **Des. 363,860**

[45] **Date of Patent:** **\*\*Nov. 7, 1995**

[54] **CAKE CUTTER**

4,477,943 10/1984 Grush, Jr. .... D8/98 X  
4,847,998 7/1989 Colozzi et al. .... 30/114

[76] Inventor: **John F. Gallo**, 121 Harriet St., Throop,  
Pa. 18512

*Primary Examiner*—Terry A. Wallace

[\*\*] Term: **14 Years**

[57] **CLAIM**

[21] Appl. No.: **25,565**

The ornamental design for a cake cutter, as shown and described.

[22] Filed: **Jul. 5, 1994**

**DESCRIPTION**

[52] **U.S. Cl.** ..... **D7/673**

[58] **Field of Search** ..... D7/672, 673, 693,  
D7/696; 30/114, 124, 302, 303; 294/7

FIG. 1 is a left side elevational view of the cake cutter showing my new design;

FIG. 2 is a right side elevational view thereof;

FIG. 3 is a front elevational view thereof;

FIG. 4 is a rear elevational view thereof;

FIG. 5 is a top plan view thereof;

FIG. 6 is a bottom plan view thereof; and,

FIG. 7 is an isometric view thereof.

[56] **References Cited**

**U.S. PATENT DOCUMENTS**

D. 295,485 5/1988 Ferrin et al. .... D7/673  
2,797,478 7/1957 Gebhart et al. .... 30/114 X  
2,841,868 7/1958 O'Brien ..... D7/693 X  
3,130,764 4/1964 Donovan ..... D7/673 X

**1 Claim, 4 Drawing Sheets**

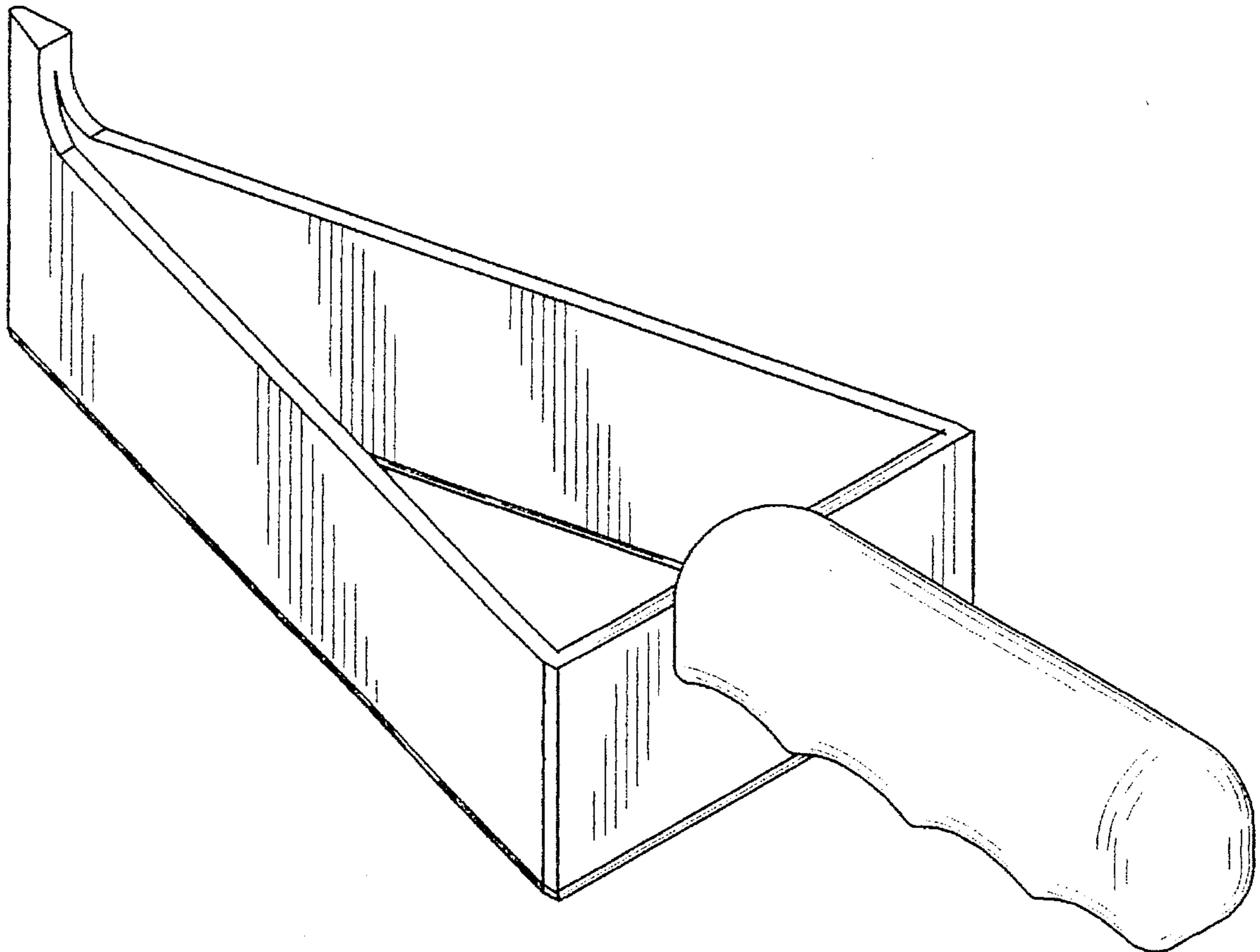


FIG. 1

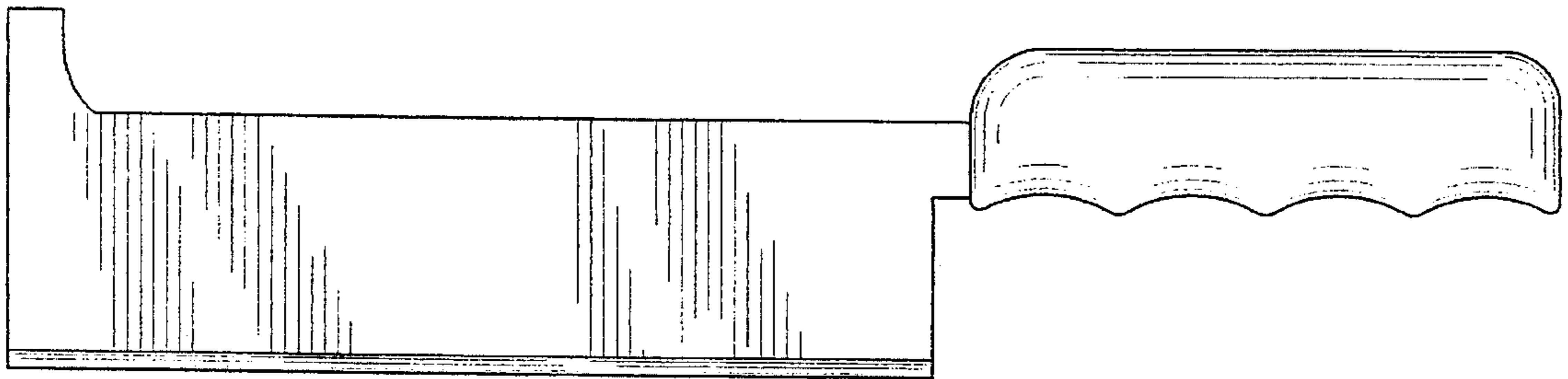
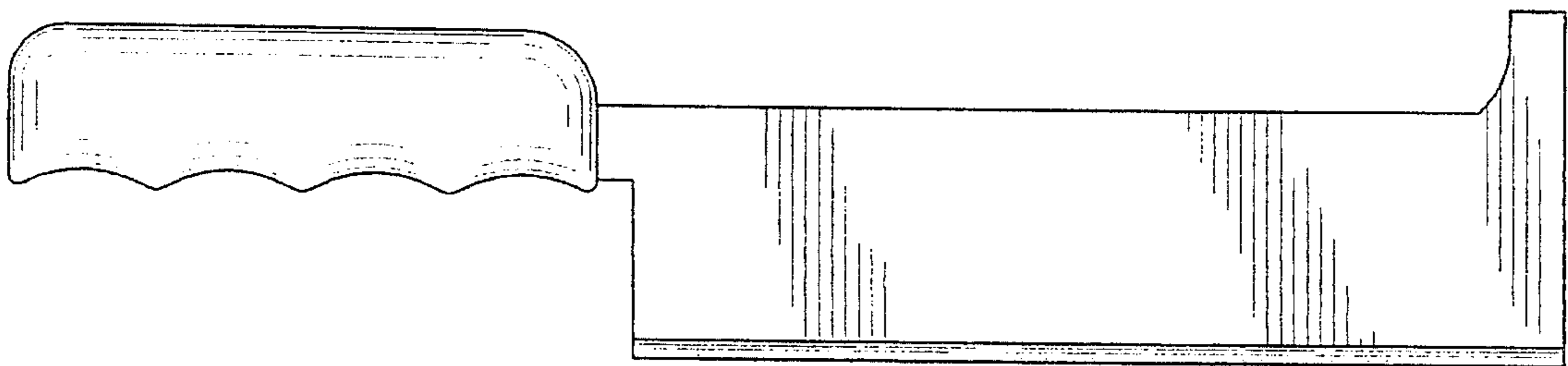
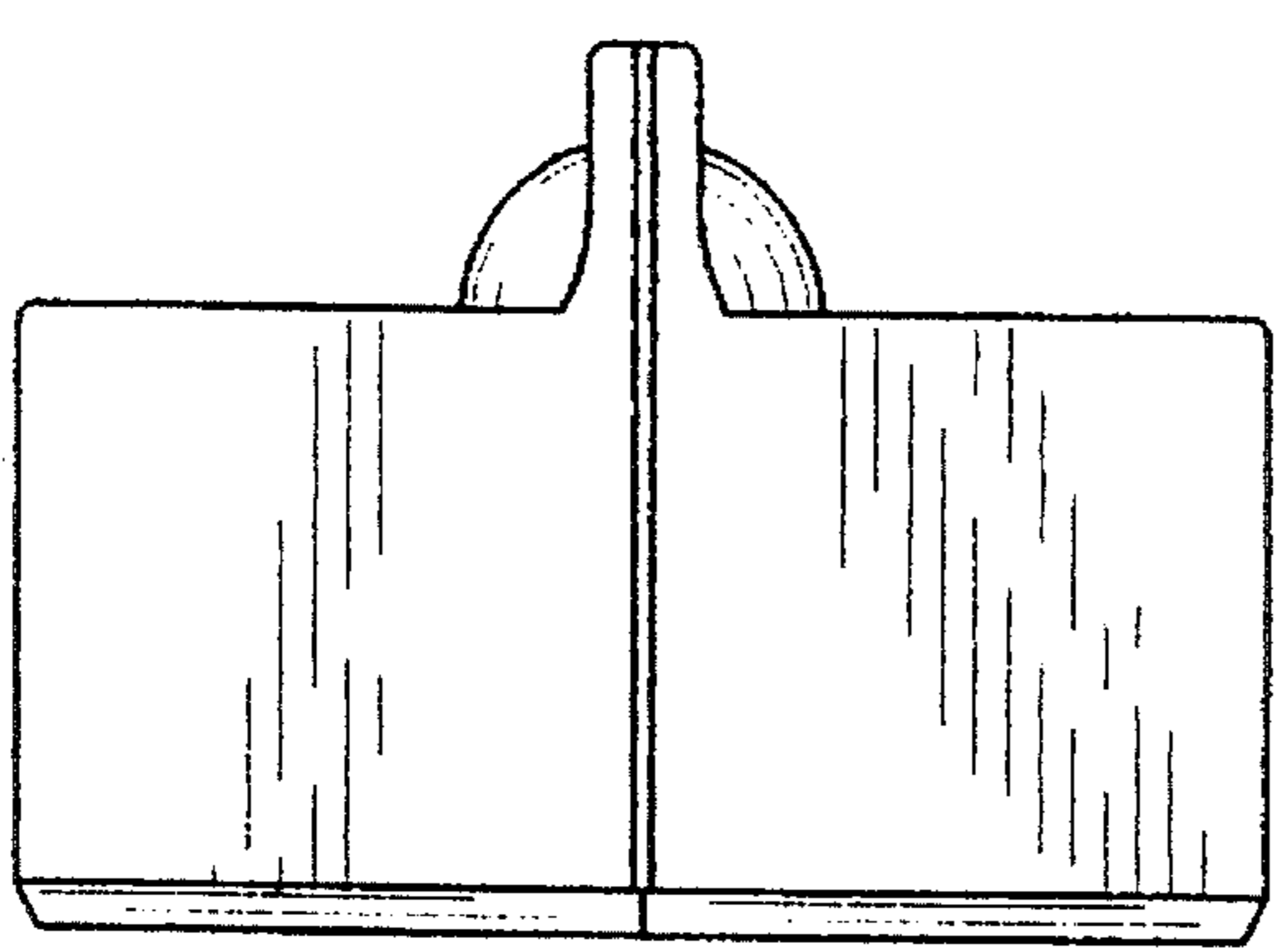


FIG. 2



*FIG. 3*



*FIG. 4*

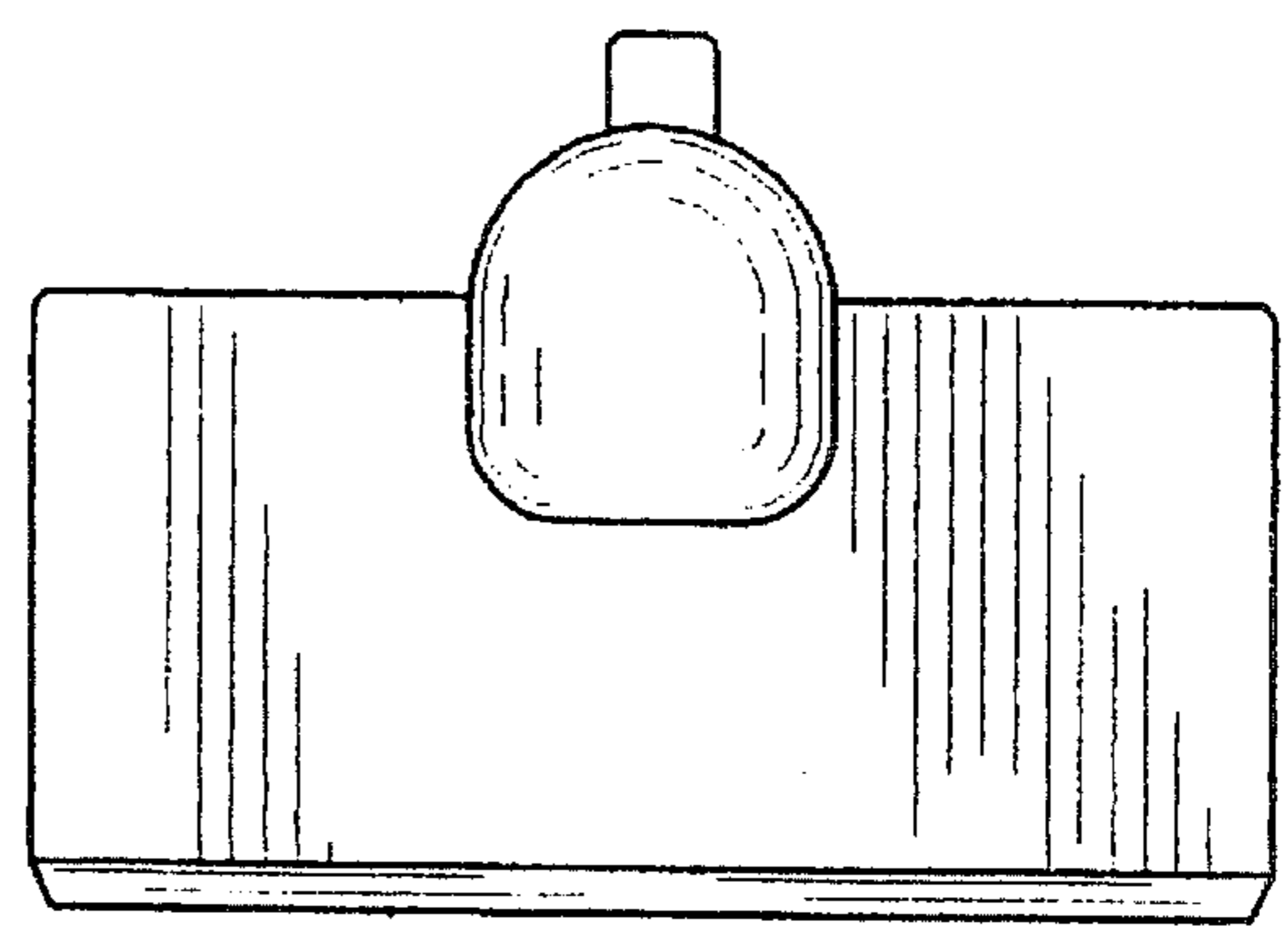


FIG. 5

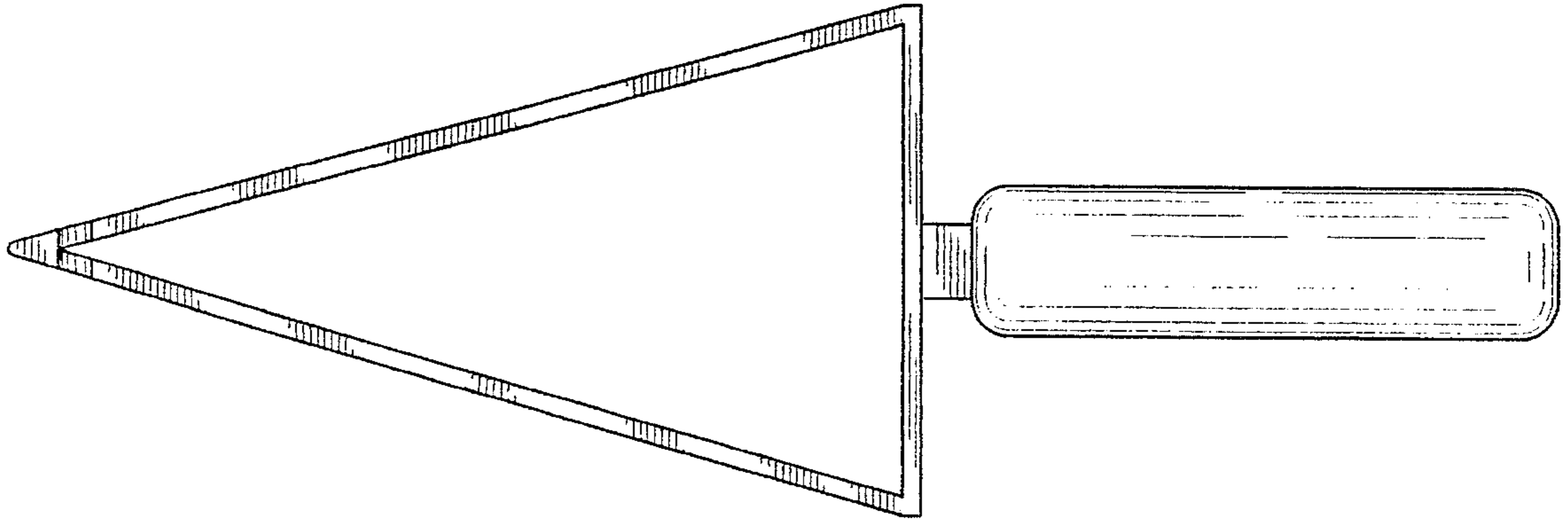
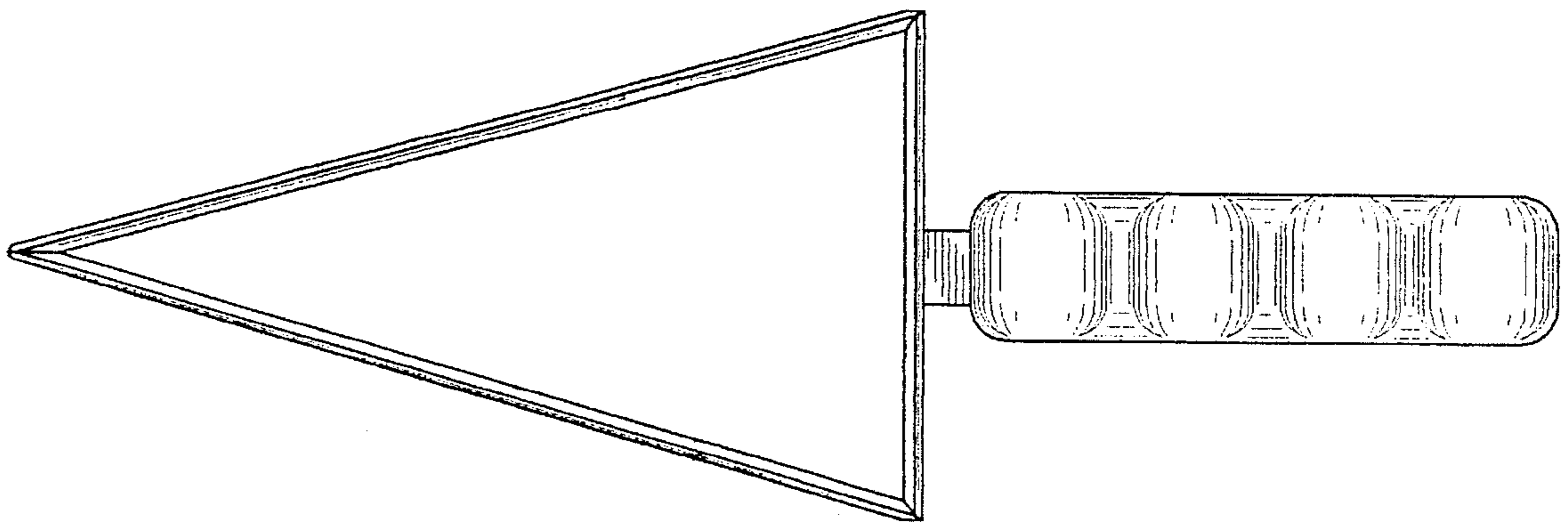


FIG. 6



*FIG. 7*

