



US00D363859S

United States Patent [19]
Matsick

[11] **Patent Number:** **Des. 363,859**
[45] **Date of Patent:** ****Nov. 7, 1995**

- [54] **CONTAINER FOR SAVING A PARTIALLY EATEN STICK-MOUNTED SUCKER**
- [76] Inventor: **Patricia Matsick**, R.R. 1, Box 89D, Weatherly, Pa. 18255
- [**] Term: **14 Years**
- [21] Appl. No.: **25,797**
- [22] Filed: **Jul. 12, 1994**
- [52] U.S. Cl. **D7/629; D9/503**
- [58] **Field of Search** D7/600, 601, 629; D1/105; D9/418, 424, 503, 504, 521; 229/932

1,672,884 6/1928 Gingras 229/932 X

Primary Examiner—Terry A. Wallace
Attorney, Agent, or Firm—H. Jay Spiegel

[57] **CLAIM**

The ornamental design for a container for saving a partially eaten stick-mounted sucker, as shown and described.

DESCRIPTION

FIG. 1 is an exploded side elevation view of a container for saving a partially eaten stick-mounted sucker showing my new design, the remaining sides being the same;
FIG. 2 is a reduced side elevation view thereof, the stick-mounted sucker shown in broken lines for illustrative purposes only and forming no part of the claimed design;
FIG. 3 is a bottom plan view thereof; and,
FIG. 4 is a top plan view thereof.

[56] **References Cited**

U.S. PATENT DOCUMENTS

- D. 185,302 5/1959 Mitzenmacher D1/105
- D. 329,782 9/1992 Narsutis D7/629

1 Claim, 1 Drawing Sheet

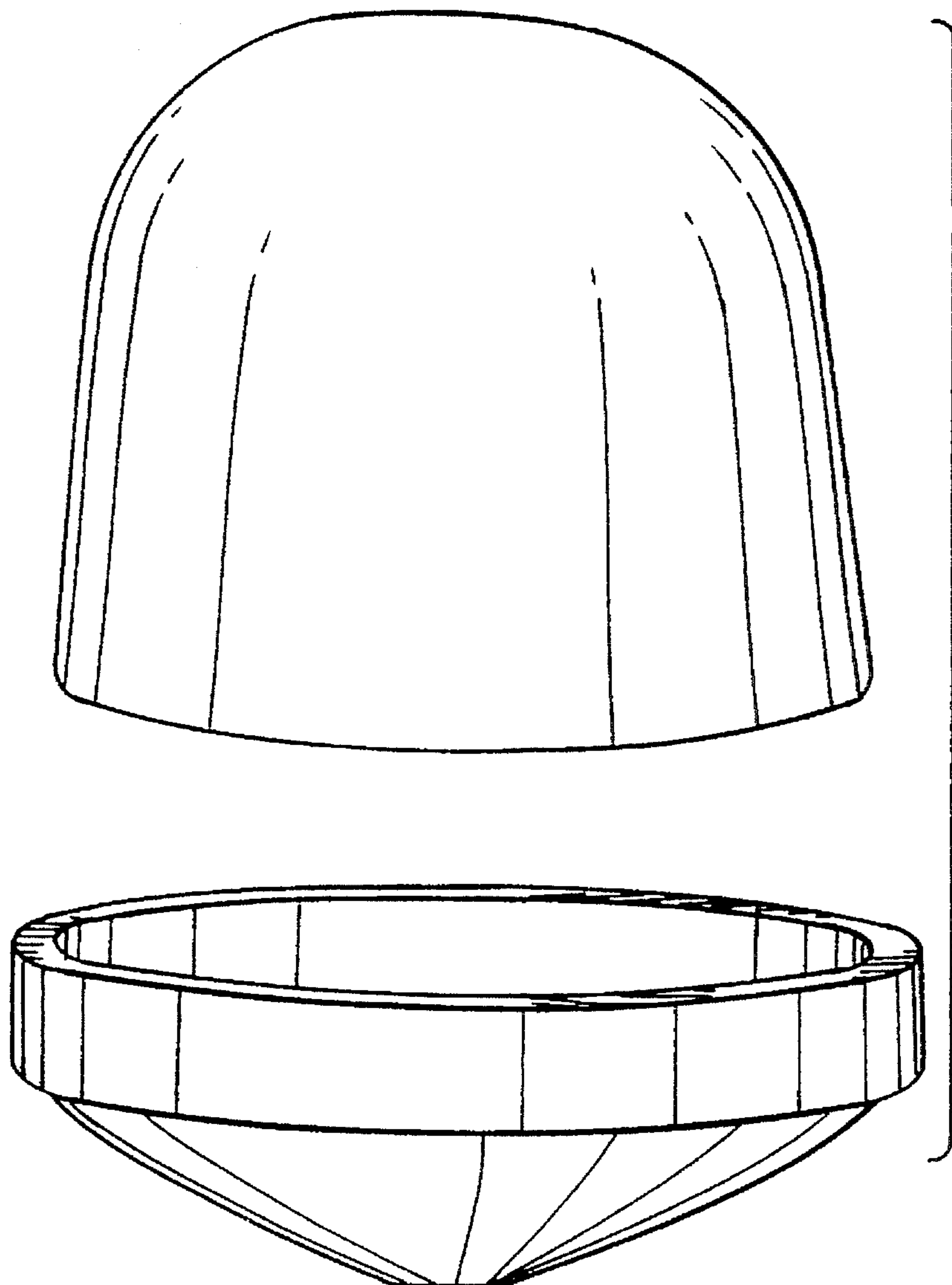


FIG. 1

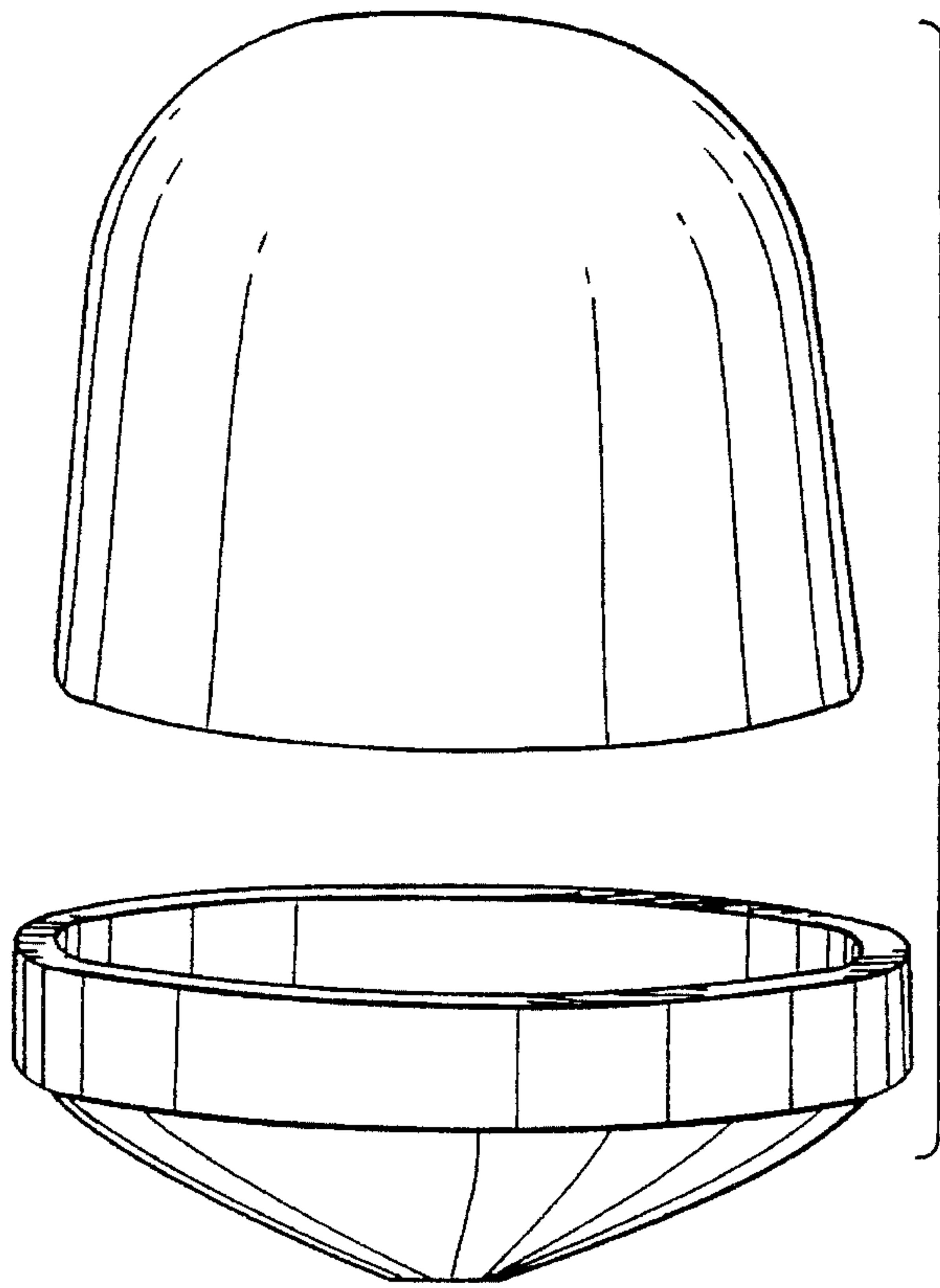


FIG. 2

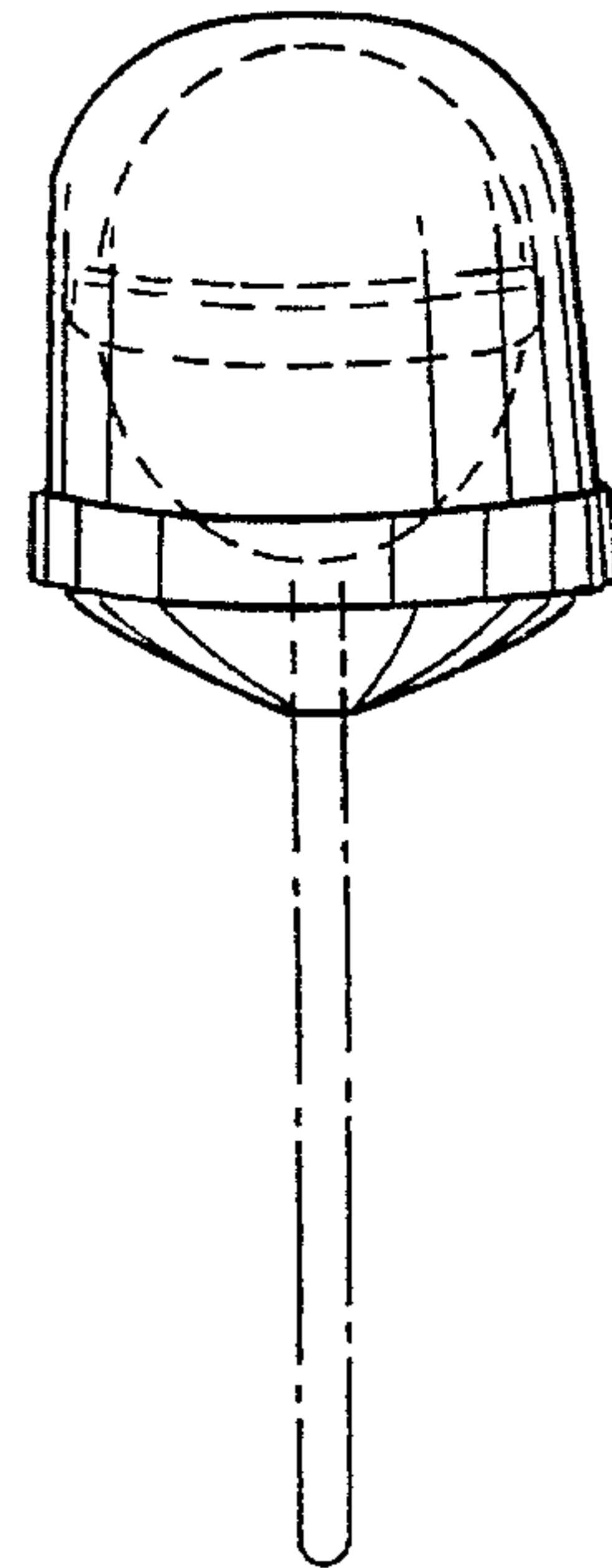


FIG. 3

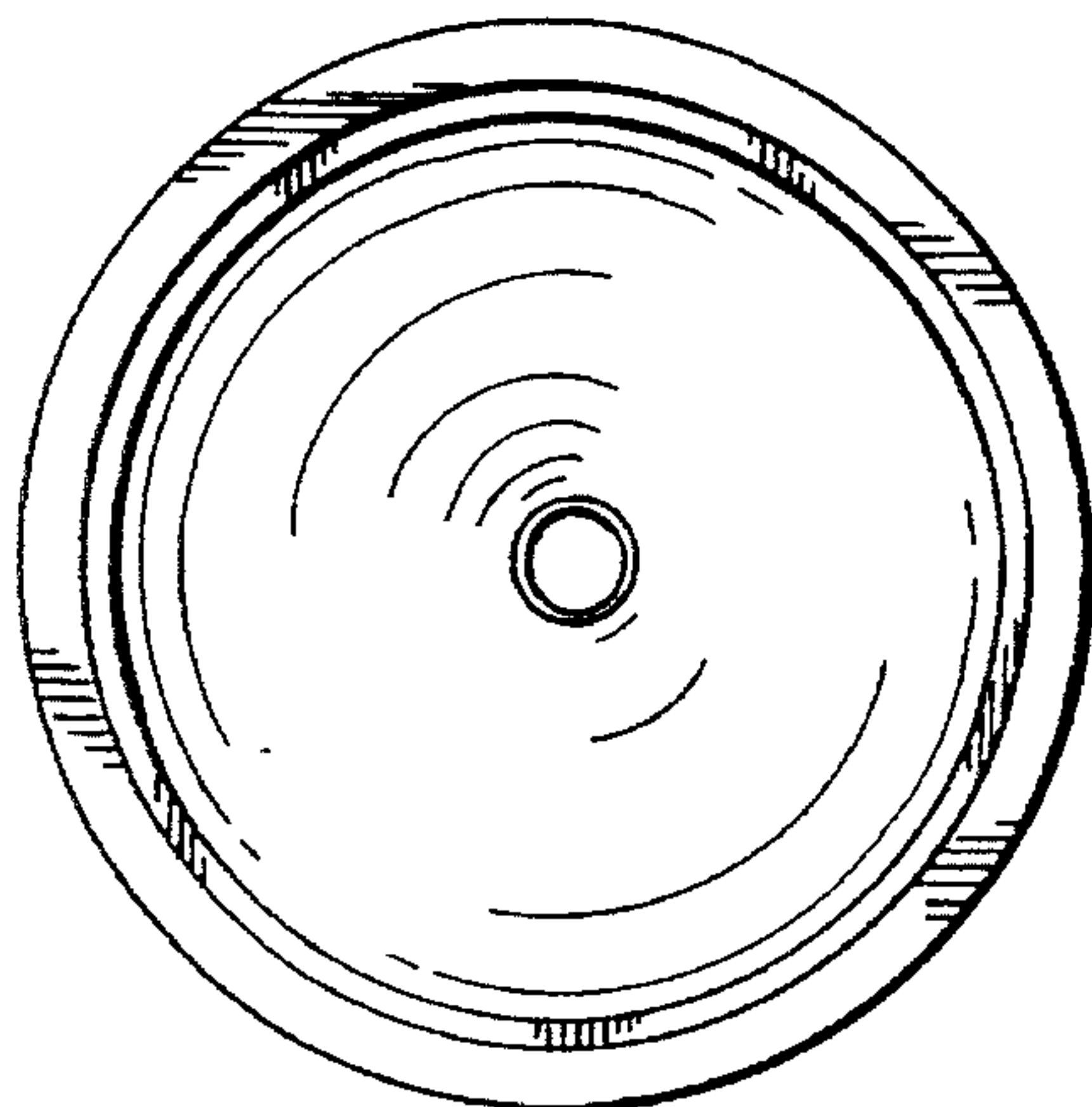


FIG. 4

