



US00D363857S

United States Patent [19]

Sussman

[11] Patent Number: **Des. 363,857**

[45] Date of Patent: ****Nov. 7, 1995**

[54] **LAP TRAY**

[76] Inventor: **Sy Sussman**, 435 Promontory Dr. West,
Newport Beach, Calif. 92660

[**] Term: **14 Years**

[21] Appl. No.: **27,866**

[22] Filed: **Aug. 31, 1994**

[52] U.S. Cl. **D7/553; D7/555; D7/507;**
D6/406

[58] **Field of Search** D7/505, 507, 550,
D7/553, 554, 555, 557, 587, 571, 551,
556, 584, 586; D6/406; 220/DIG. 12, DIG. 26,
675, 697, 735, 636, 750, 912, 914; 206/561,
564

2,652,702 9/1953 Hintze D7/553 X
3,467,247 9/1969 Weiss 206/561

OTHER PUBLICATIONS

Tray, The Hurchon Collection, May-Jun. 1975, p. 19.

Primary Examiner—Alan P. Douglas
Assistant Examiner—M. N. Pandozzi
Attorney, Agent, or Firm—Hawes & Fischer

[56] References Cited

U.S. PATENT DOCUMENTS

D. 204,999 6/1966 Edwards D7/554 X
D. 231,180 8/1974 Vigue D7/554
D. 301,820 6/1989 Wasserman D7/553
D. 311,662 10/1990 Lorenzana et al. D7/505
D. 311,828 11/1990 Clark et al. D6/406
D. 314,678 2/1991 Ali D6/406
D. 326,962 6/1992 Mowry et al. D7/554 X
1,595,356 8/1926 Moseman D7/553 X

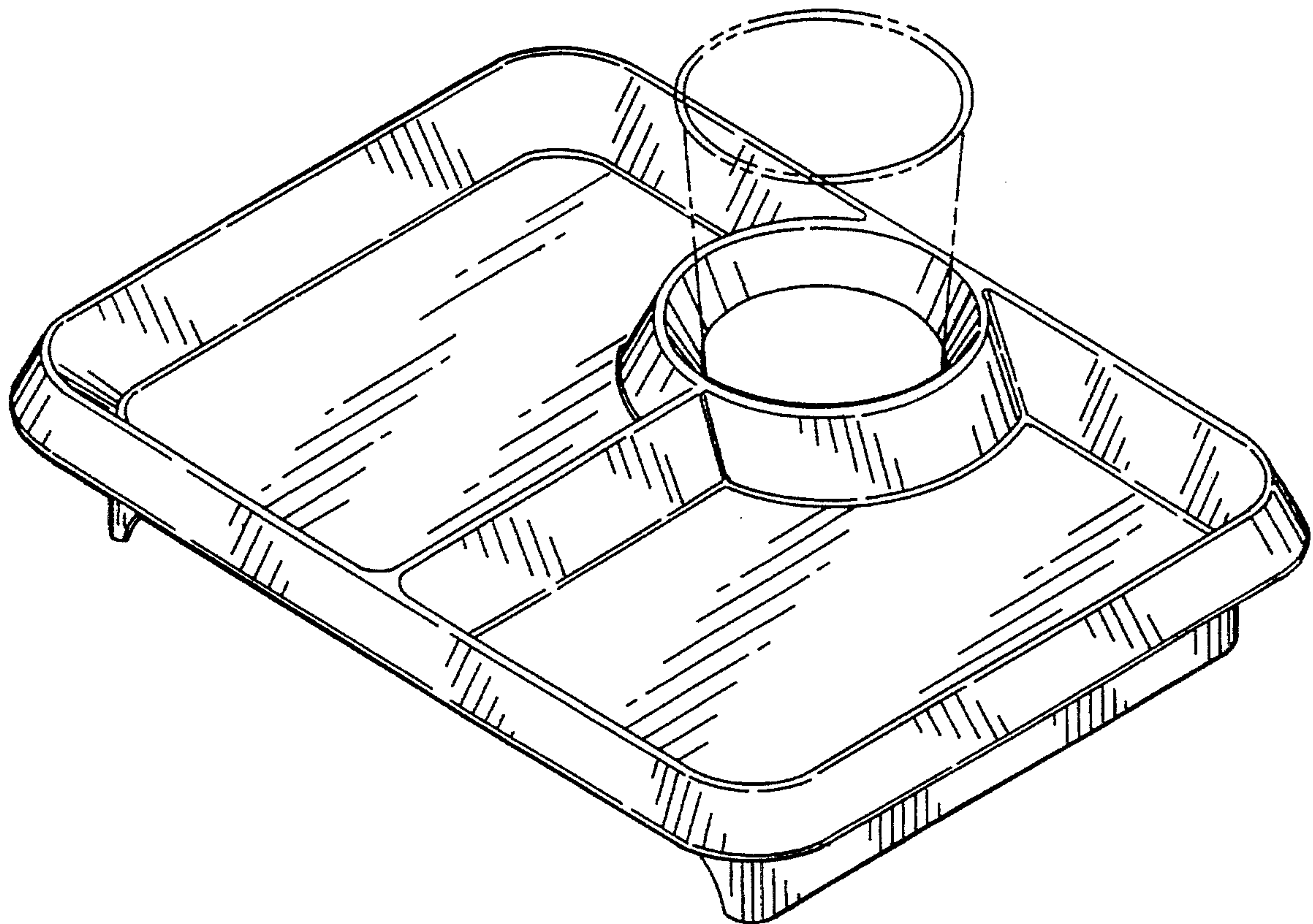
[57] CLAIM

The ornamental design for a lap tray, as shown and described.

DESCRIPTION

FIG. 1 is a top, front, and right side perspective view of a lap tray showing my new design, the broken lines representing a cup being shown for illustrative purposes only and forming no part of the claimed design;
FIG. 2 is a top plan view thereof;
FIG. 3 is a bottom plan view thereof;
FIG. 4 is a front, elevational view thereof, this and the rear elevational view being of identical design; and,
FIG. 5 is a side elevational view thereof, this and the opposite elevational view being of identical design.

1 Claim, 2 Drawing Sheets



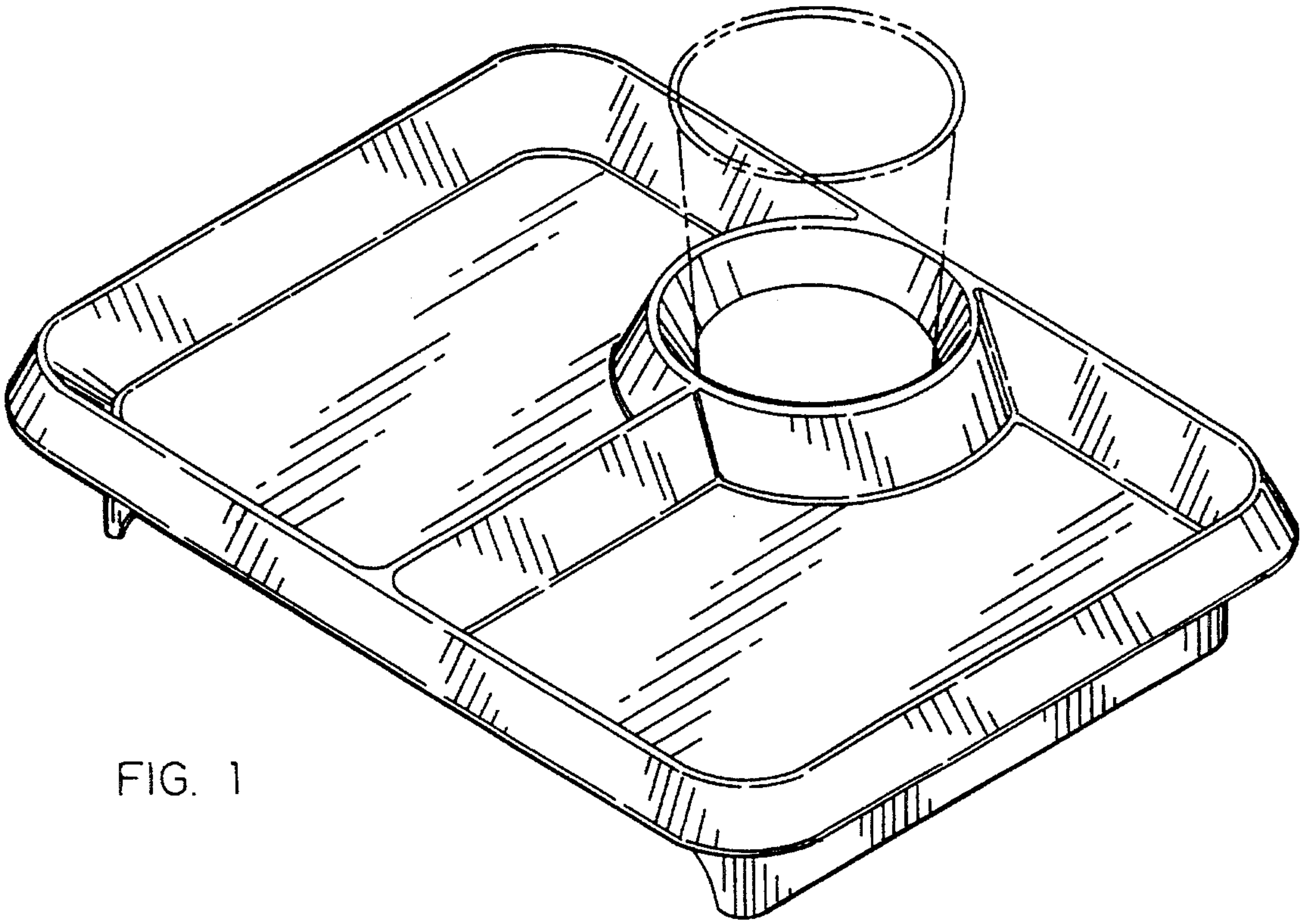
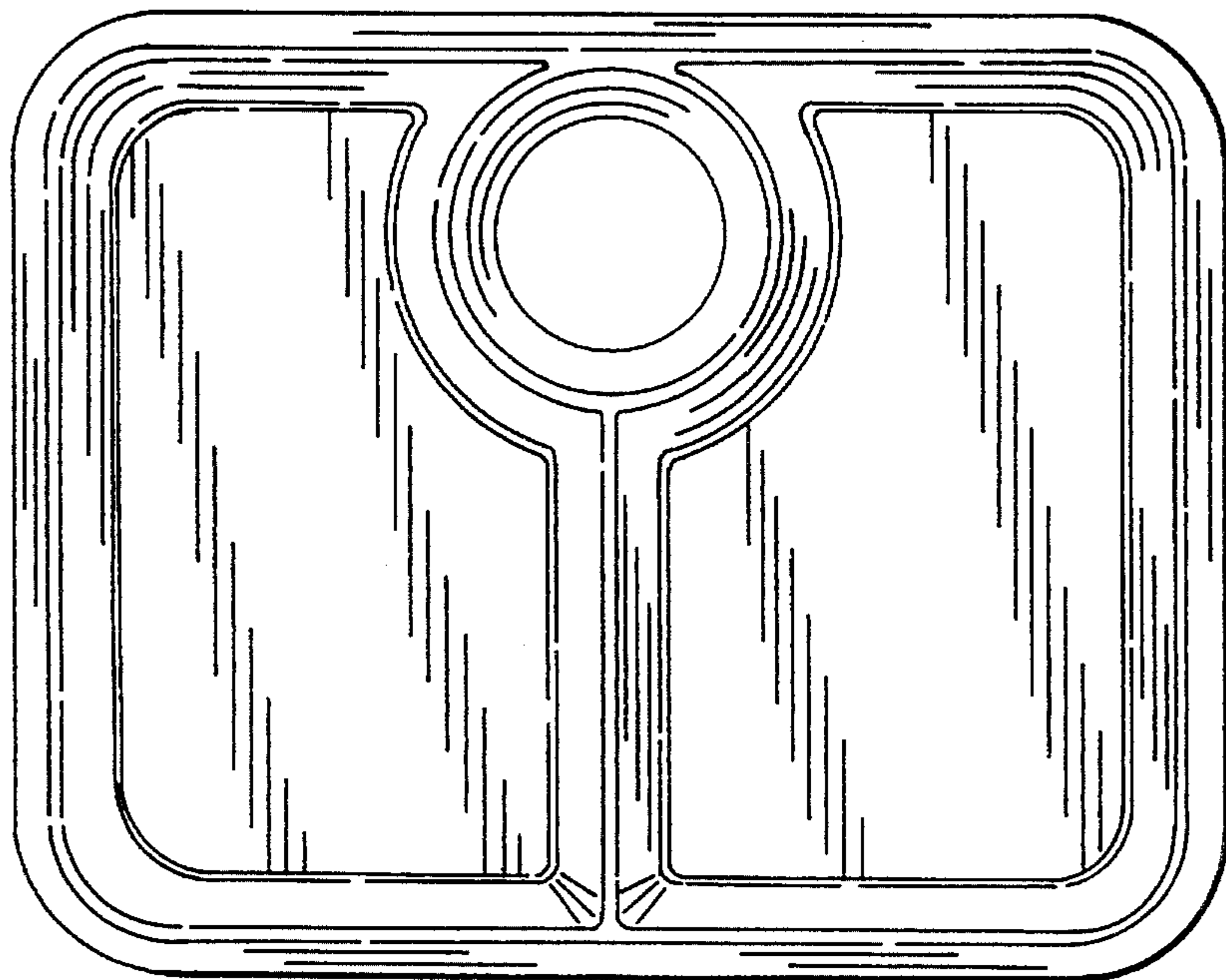


FIG. 1

FIG. 2



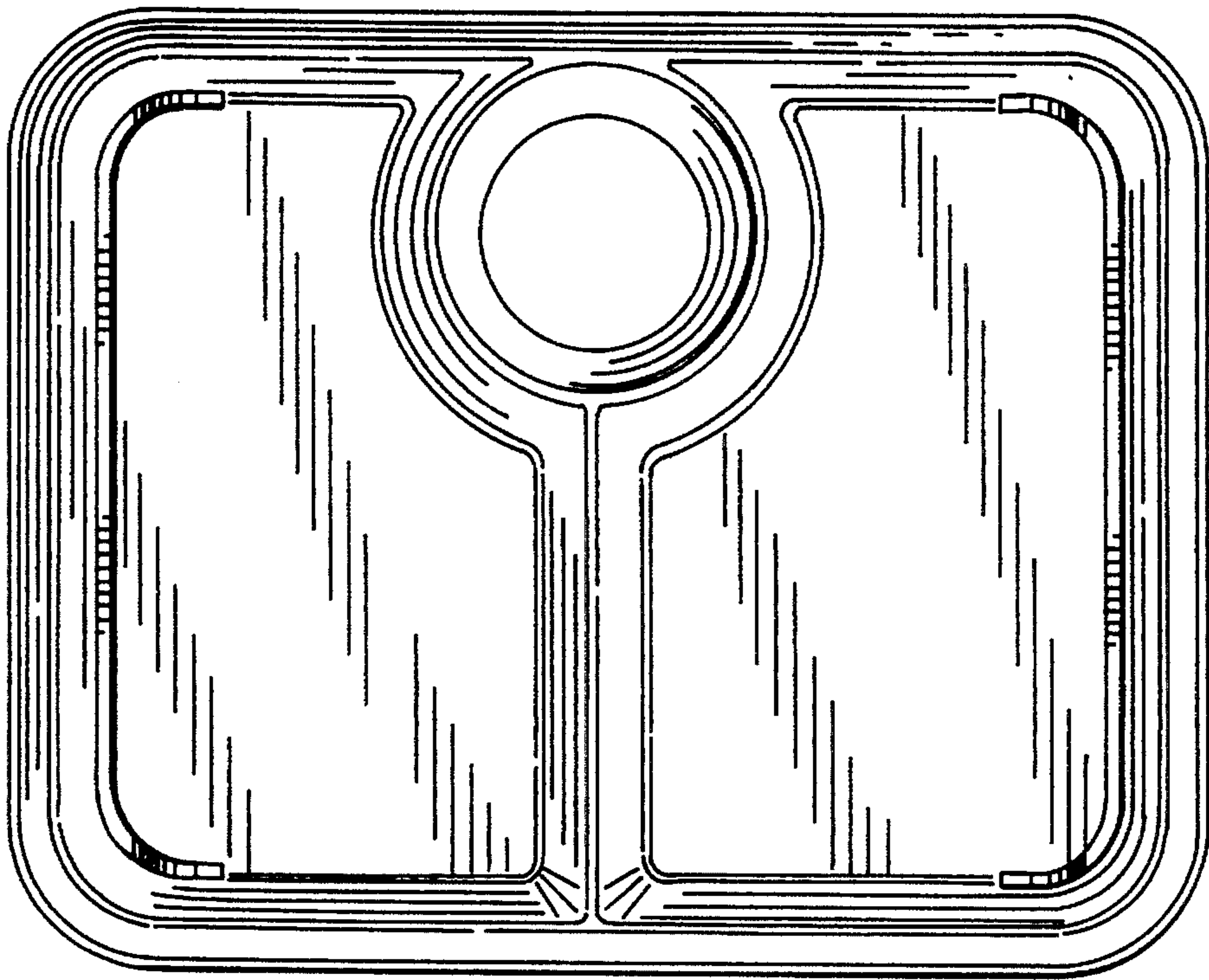


FIG. 3

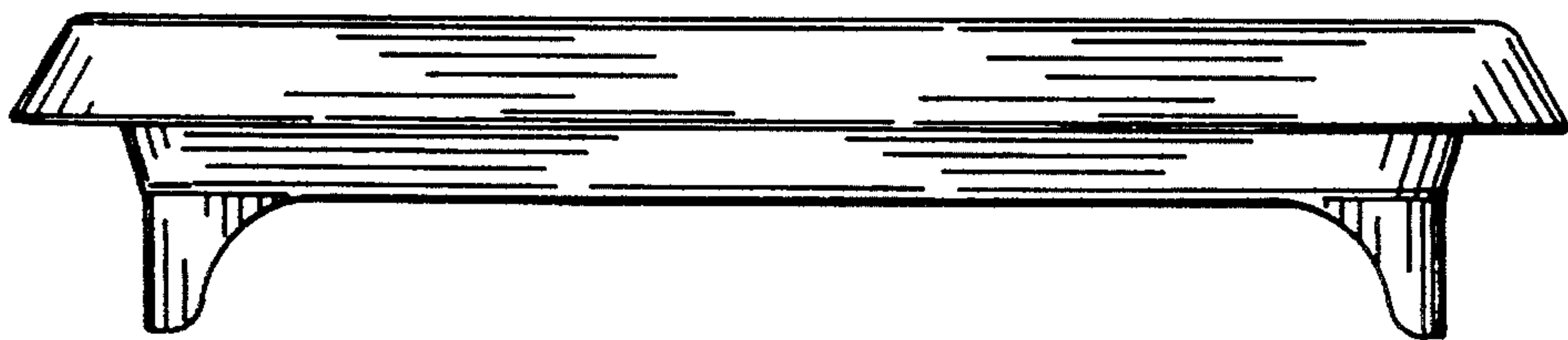


FIG. 4

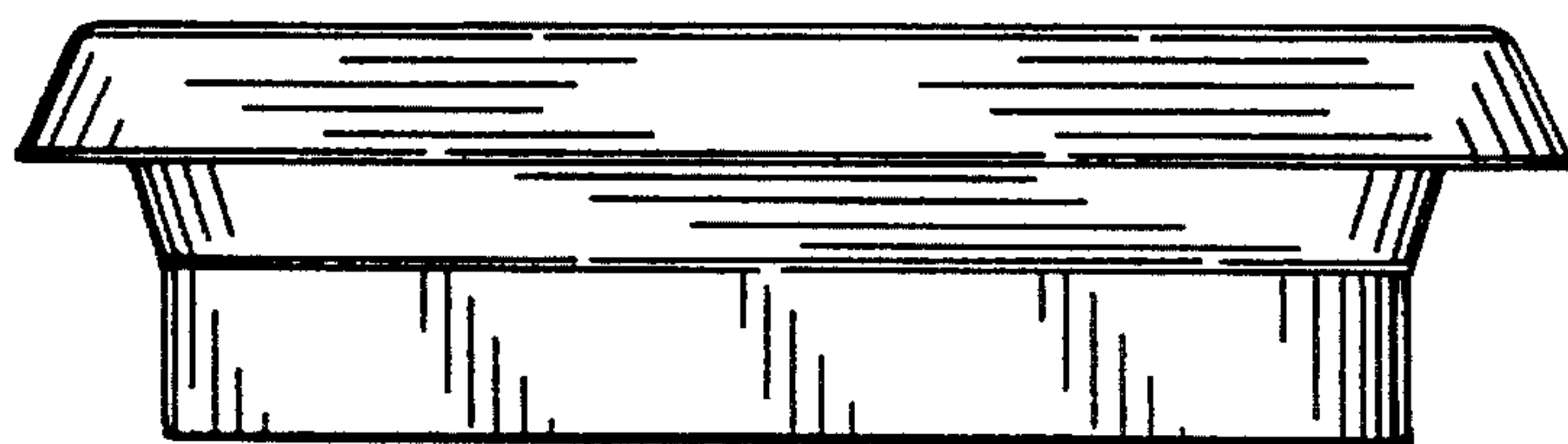


FIG. 5