



US00D363855S

**United States Patent** [19]  
**Van Blankenburg**

[11] **Patent Number: Des. 363,855**

[45] **Date of Patent: \*\*Nov. 7, 1995**

- [54] **DRINK CONTAINER**
- [76] Inventor: **Karl Van Blankenburg**, 61830 Lantern Cove, Washington, Mich. 48094
- [\*\*] Term: **14 Years**
- [21] Appl. No.: **11,339**
- [22] Filed: **Aug. 2, 1993**
- [52] U.S. Cl. .... **D7/515; D7/623; D7/536**
- [58] Field of Search ..... **D7/509, 510, 511, D7/514, 515, 517, 523, 533, 536, 559, 563, 564, 613, 623, 307, 320, 451; D27/106; D29/12, 15, 16; D2/870, 878**

3,825,925 7/1974 Pershing et al. .... D29/15 X  
4,566,292 1/1986 Parmet .

*Primary Examiner*—Alan P. Douglas  
*Assistant Examiner*—M. N. Pandozzi  
*Attorney, Agent, or Firm*—Basile and Hanlon

[57] **CLAIM**

The ornamental design for a drink container, as shown and described.

**DESCRIPTION**

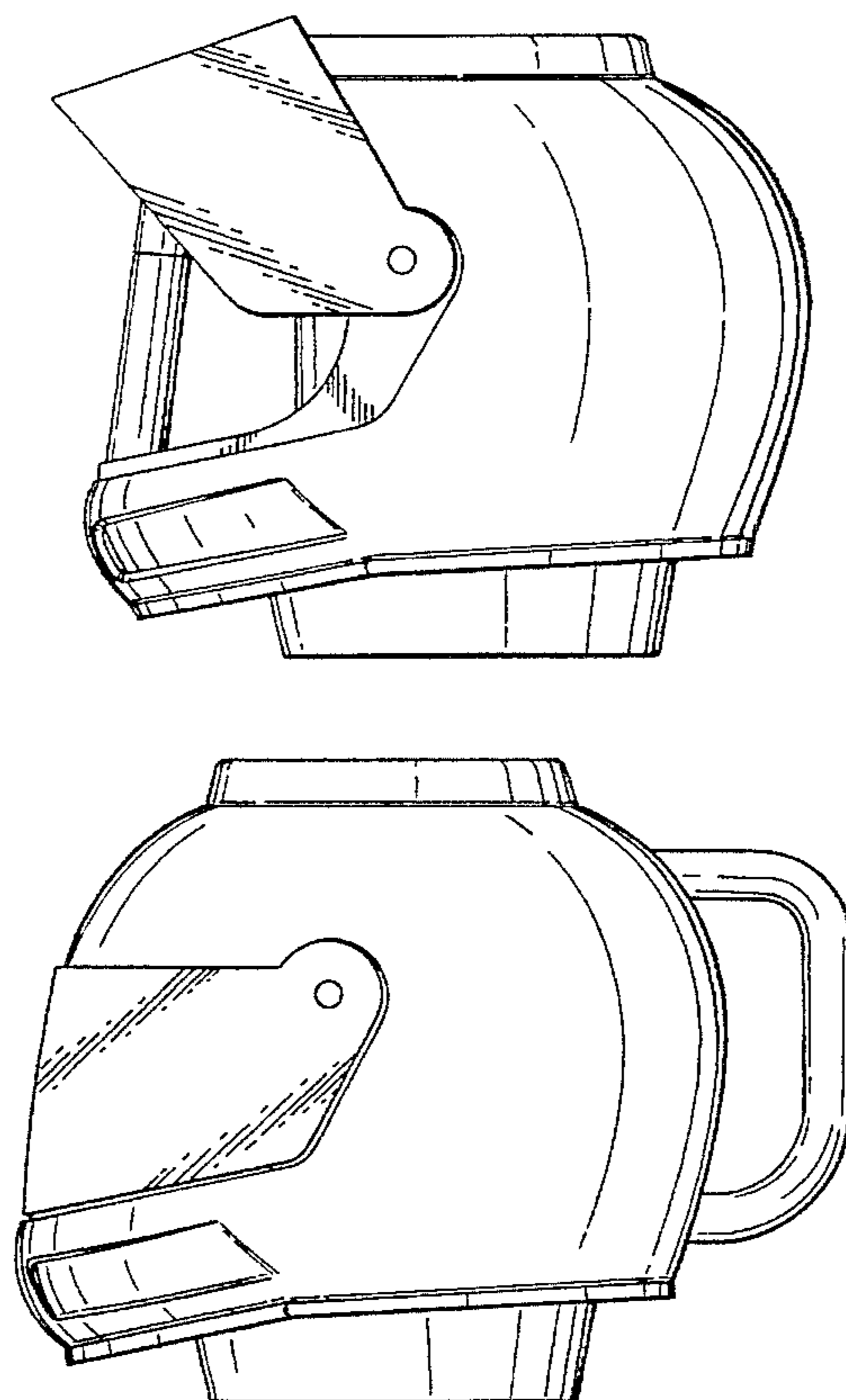
FIG. 1 is a right side elevational view of a first embodiment of a drink container showing my new design, the left side being identical in appearance;  
FIG. 2 is a right side elevational view similar to FIG. 1, but showing the visor in a raised position;  
FIG. 3 is a front elevational view thereof;  
FIG. 4 is a rear elevational view thereof;  
FIG. 5 is a top plan view thereof;  
FIG. 6 is a bottom plan view thereof;  
FIG. 7 is a right side elevational view of a second embodiment of a drink container showing my new design, the left side being identical in appearance;  
FIG. 8 is a front elevational view thereof;  
FIG. 9 is a rear elevational view thereof;  
FIG. 10 is a top plan view thereof;  
FIG. 11 is a bottom plan view thereof; and,  
FIG. 12 is a perspective view of the first embodiment of the drink container shown in FIG. 2, with the visor depicted in a raised position.

[56] **References Cited**

**U.S. PATENT DOCUMENTS**

- D. 232,011 7/1974 Denton ..... D29/15 X
- D. 239,587 4/1976 Dickstein et al. .... D7/564
- D. 249,396 9/1978 Kamata ..... D29/15
- D. 249,438 9/1978 Meier et al. .... D7/515
- D. 251,226 3/1979 Danat et al. .... D7/317
- D. 279,430 7/1985 McLeroy ..... D7/613 X
- D. 289,598 5/1987 Parmet .
- D. 291,524 8/1987 Yanniell et al. .
- D. 314,492 2/1991 Weller et al. .
- D. 327,817 7/1992 Paullin .
- D. 330,857 11/1992 Kidd .
- D. 334,659 3/1994 Hsu ..... D7/514 X
- D. 337,242 7/1993 Steinfels, III ..... D7/623
- D. 340,319 10/1993 Kamata ..... D29/15
- D. 347,361 5/1994 Herrera ..... D7/514 X
- D. 349,216 8/1994 Steinfels, III ..... D7/623

**1 Claim, 3 Drawing Sheets**



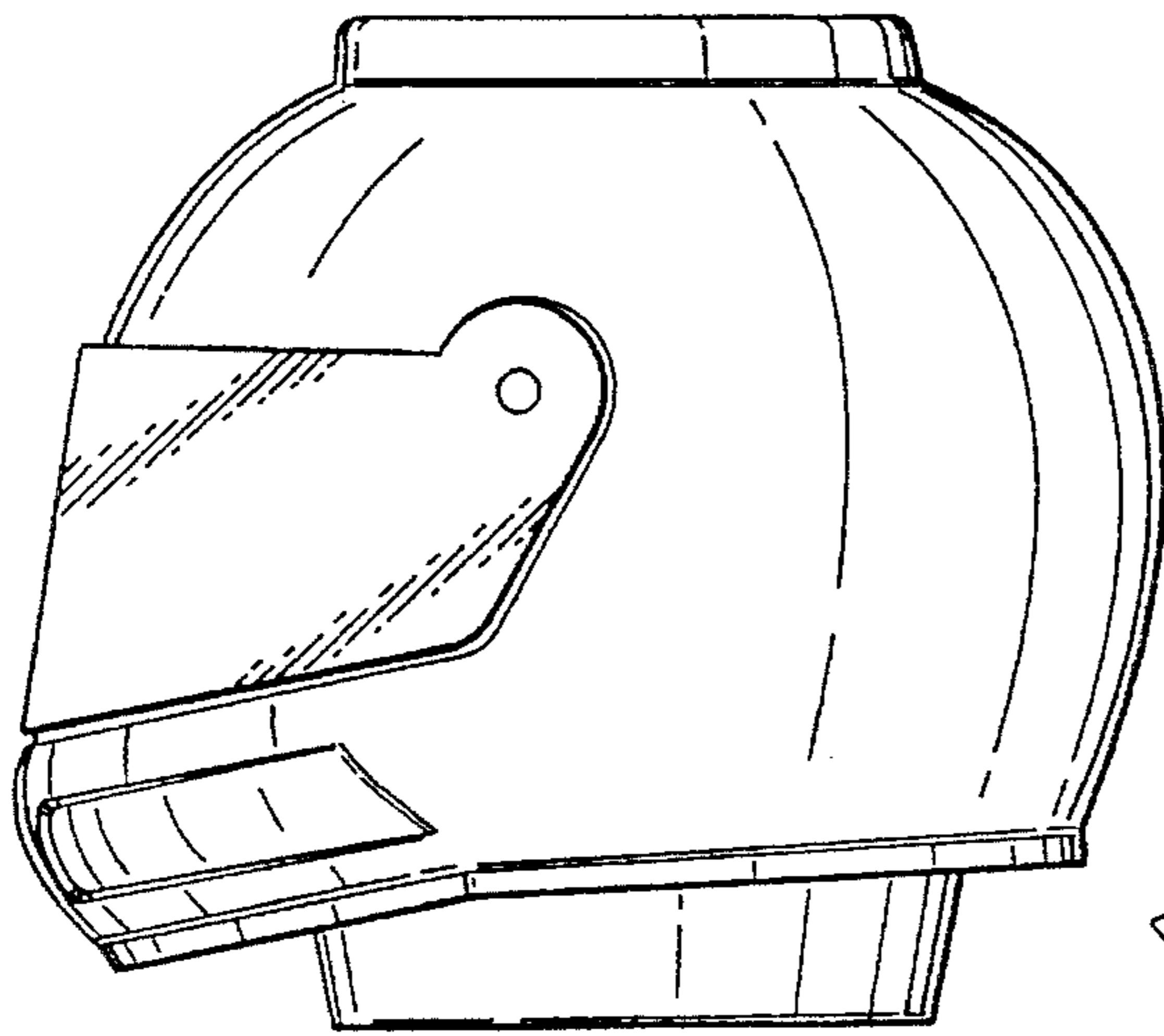


FIG-1

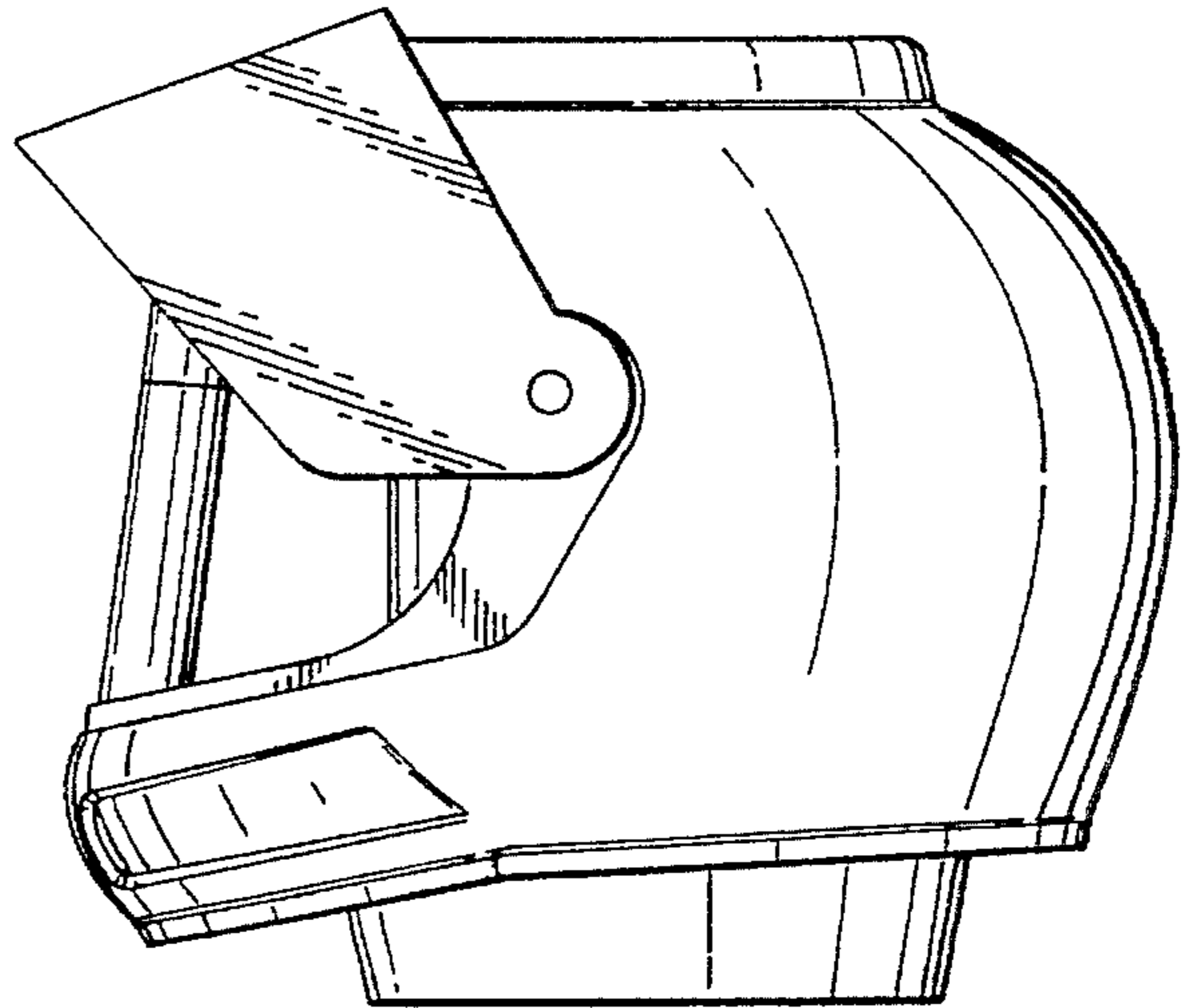


FIG-2

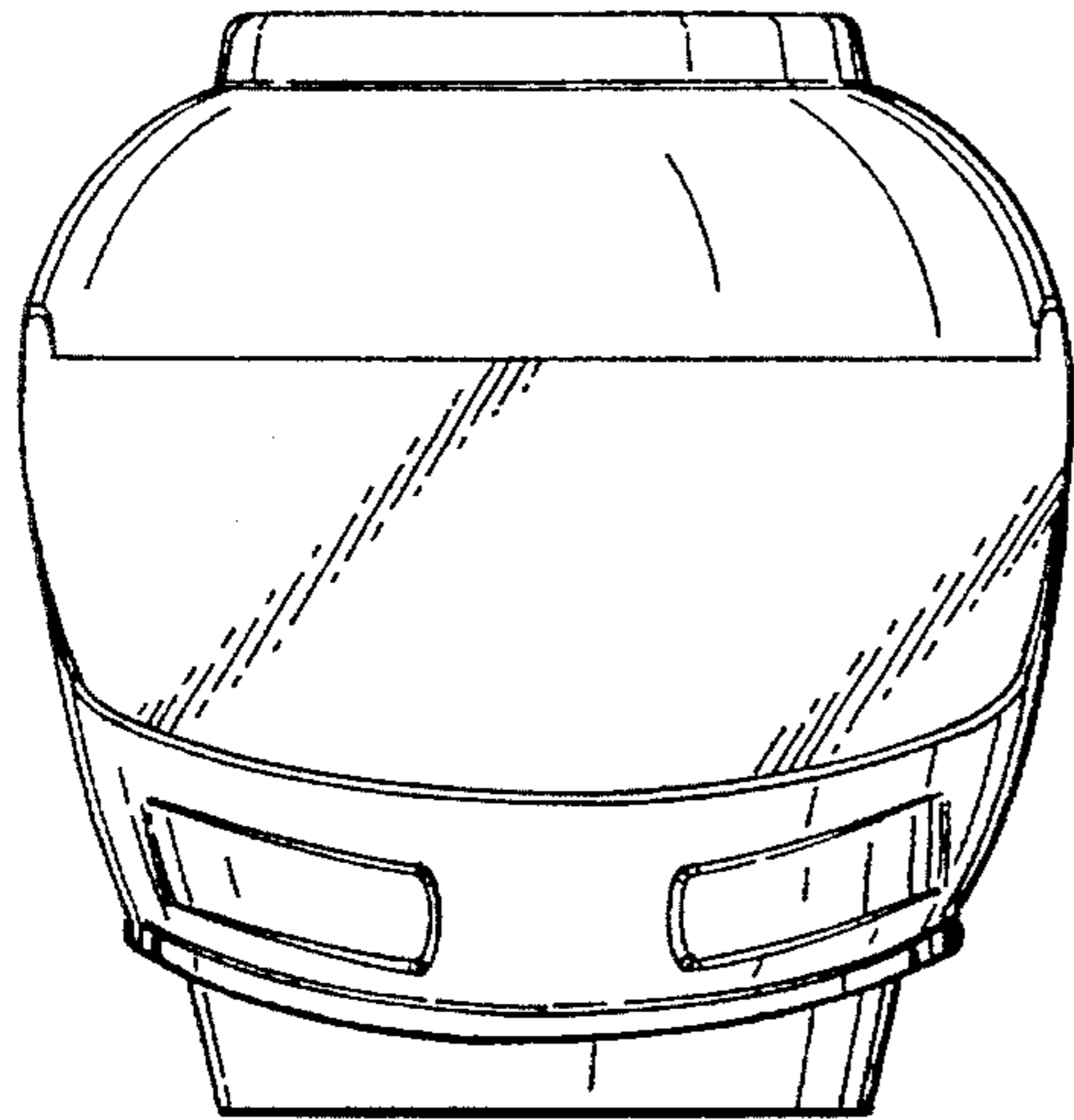


FIG-3

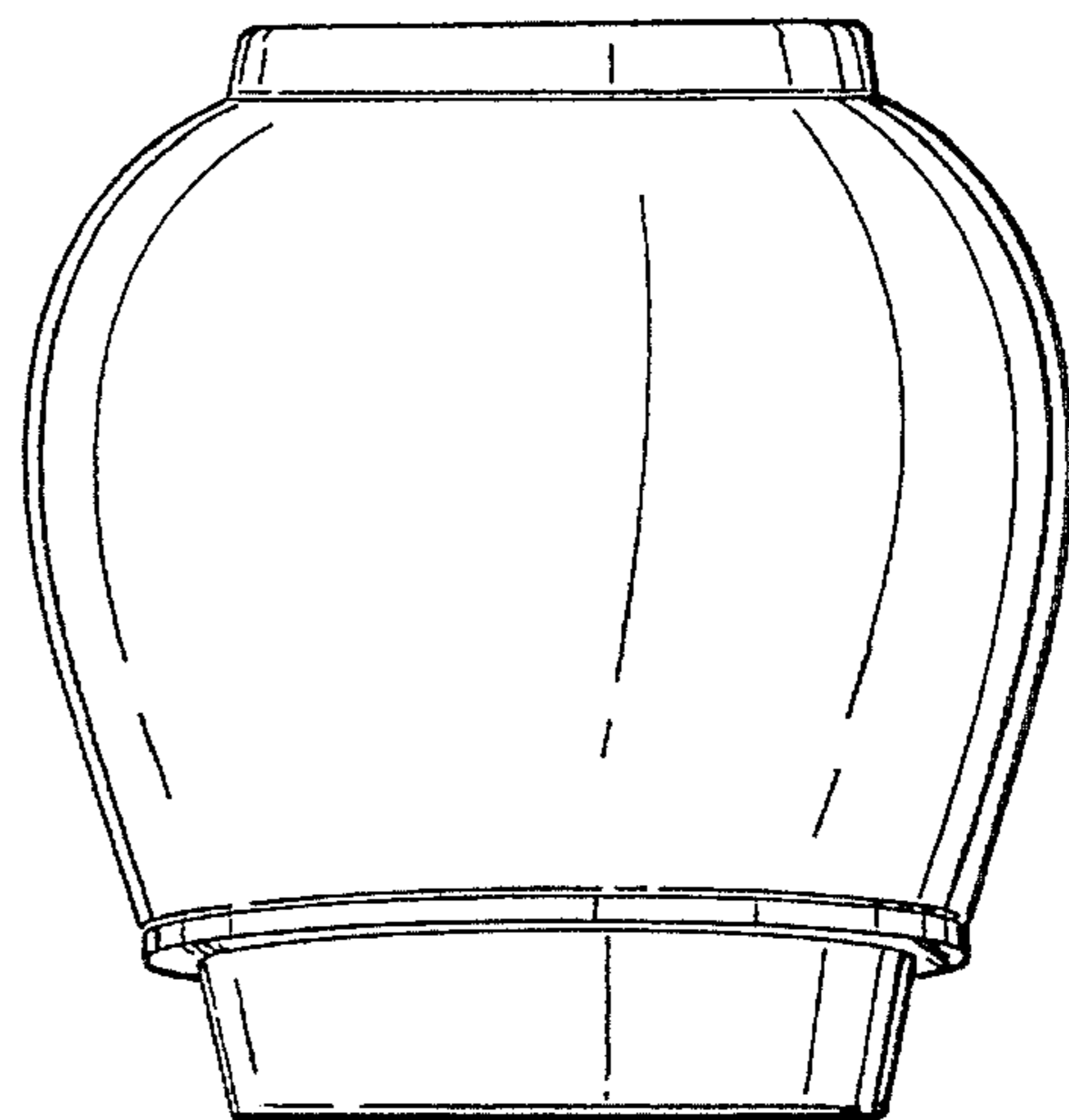


FIG-4

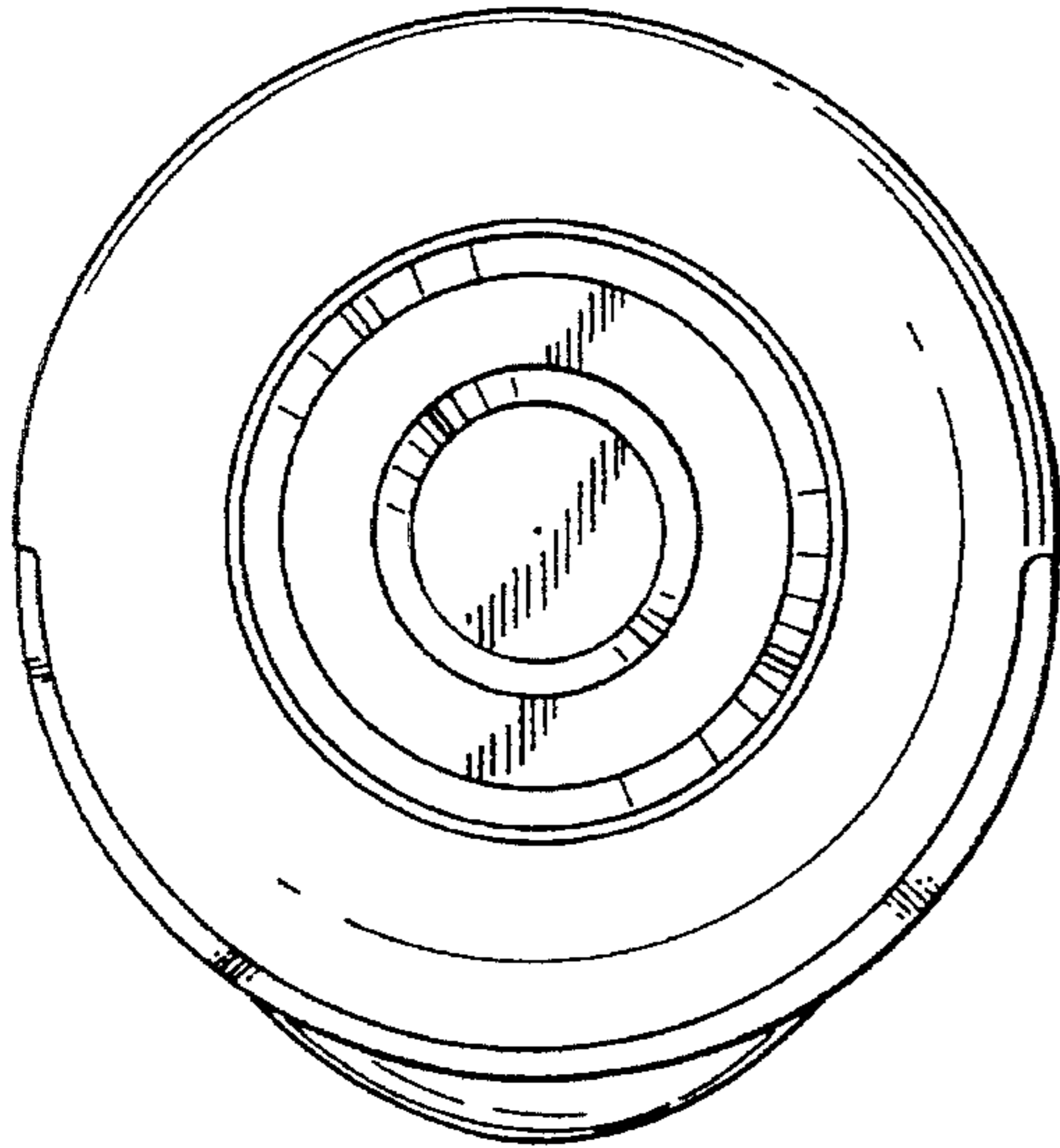


FIG-5

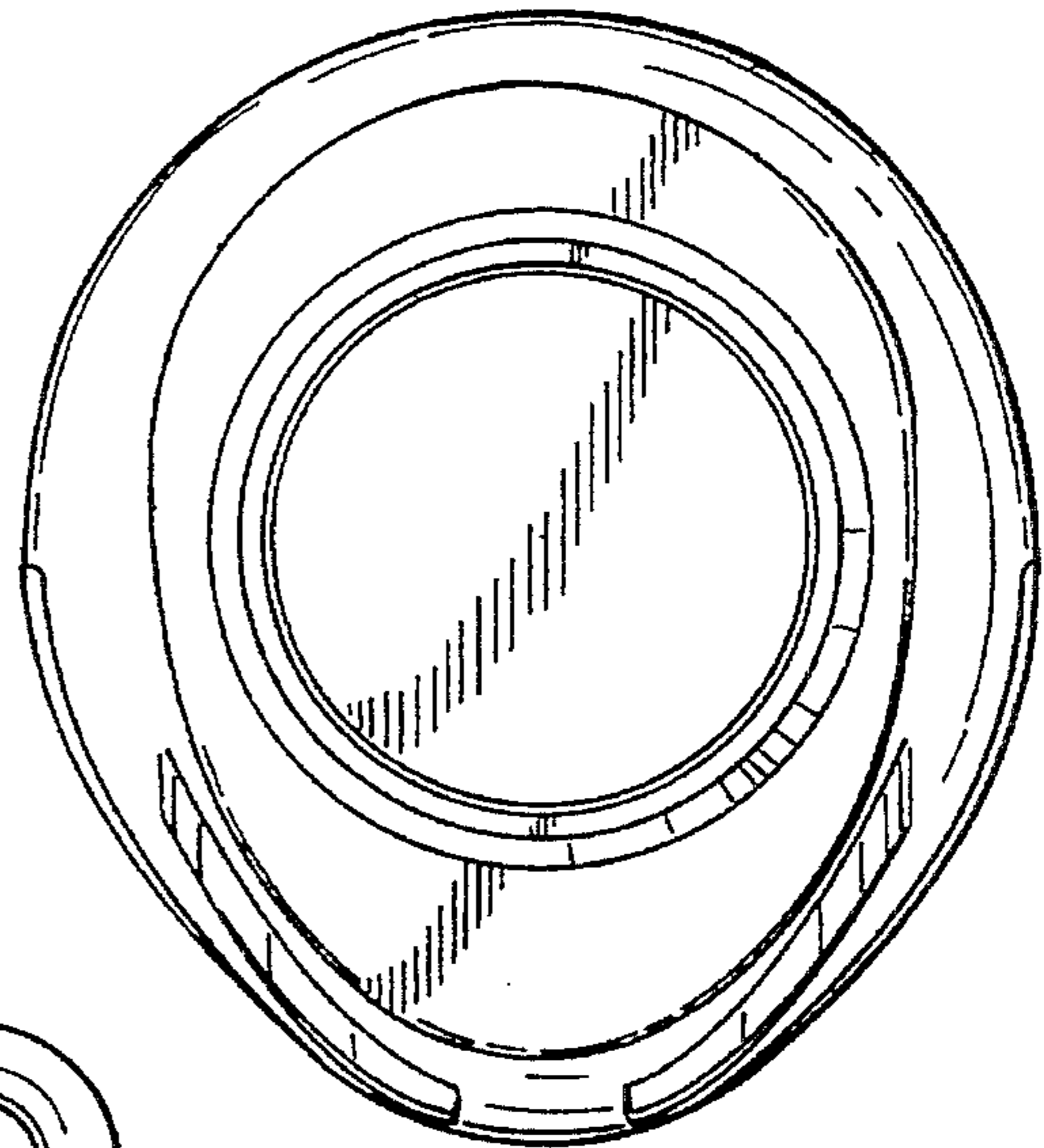


FIG-6

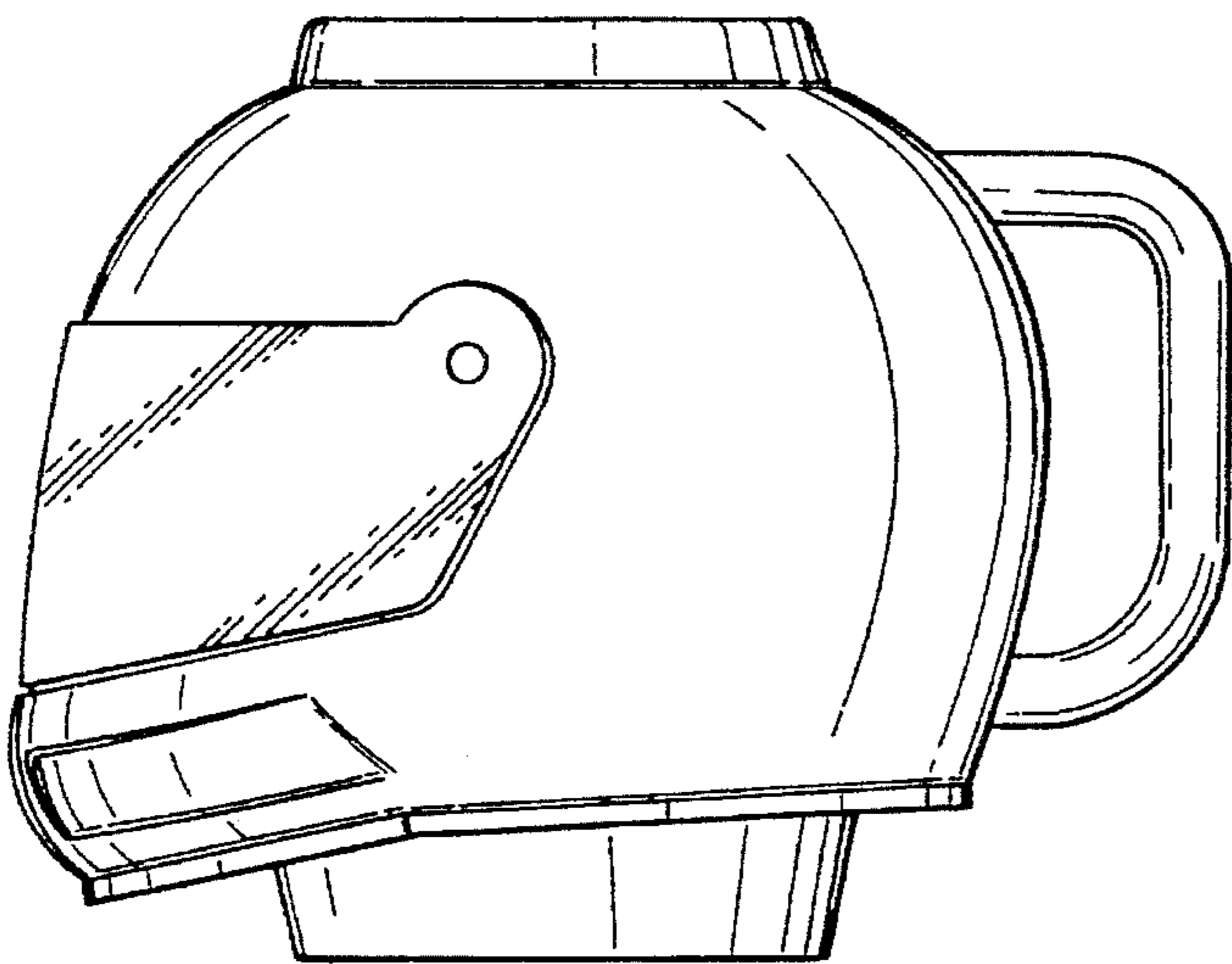


FIG-7

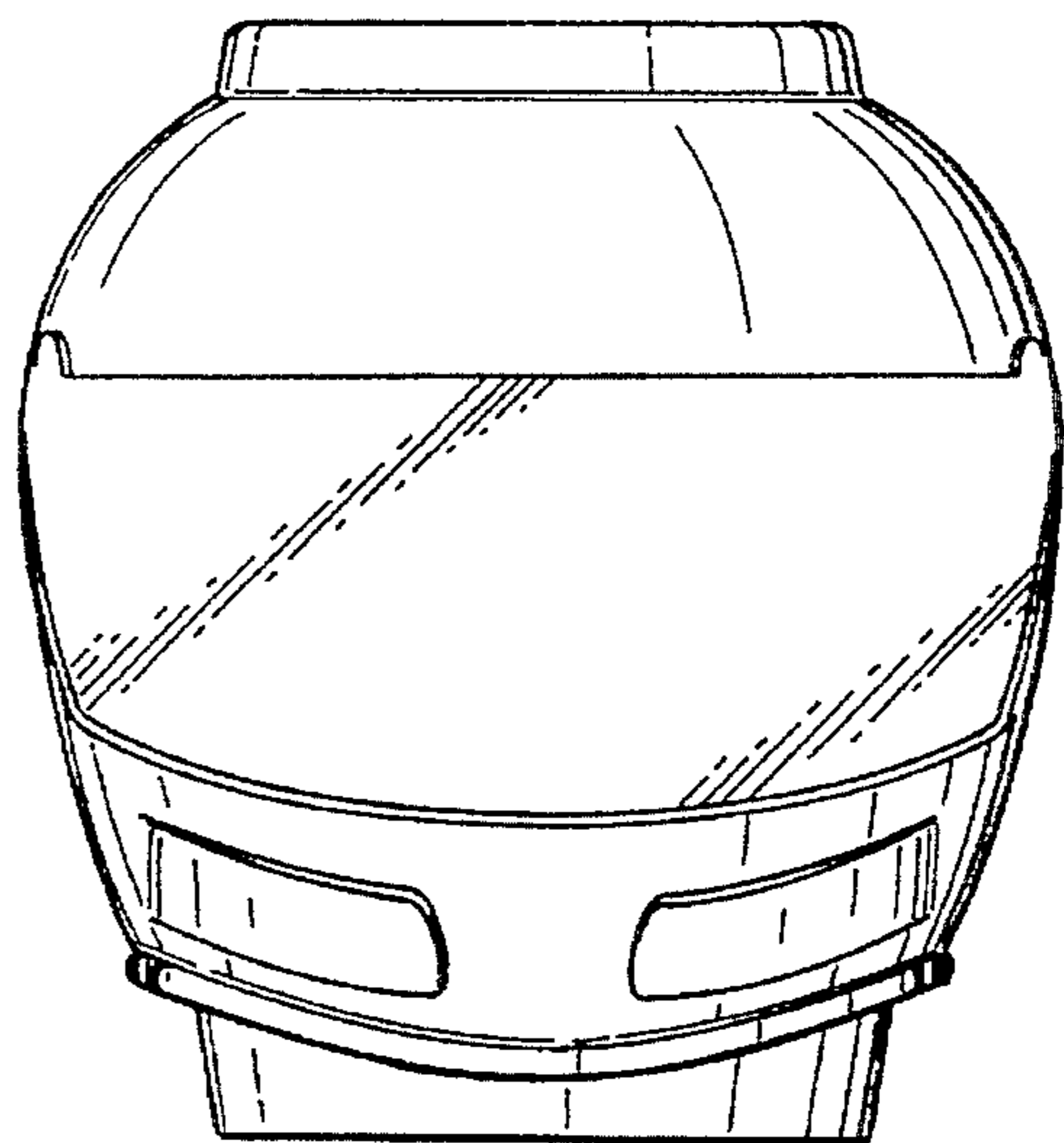


FIG-8

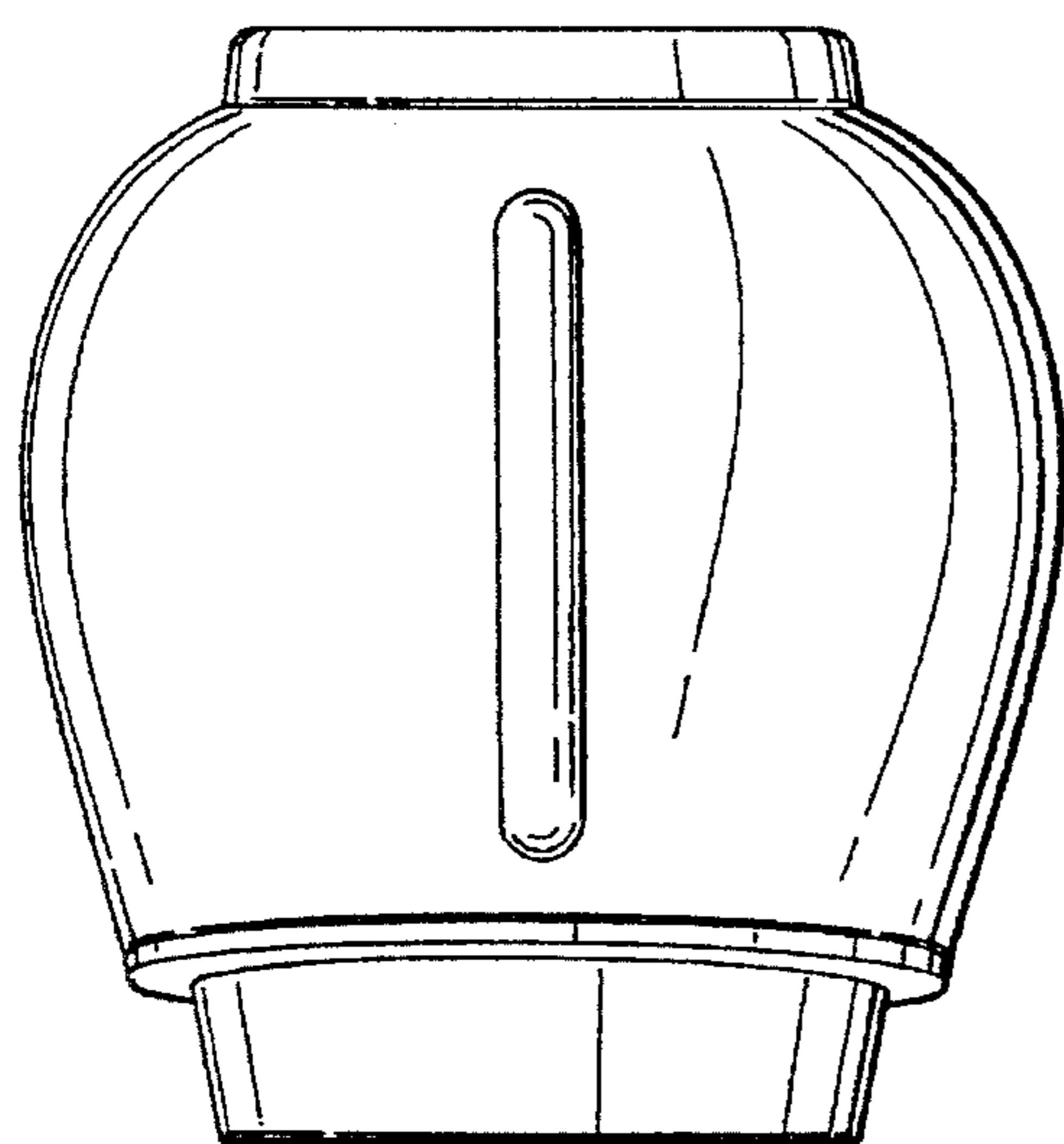


FIG-9

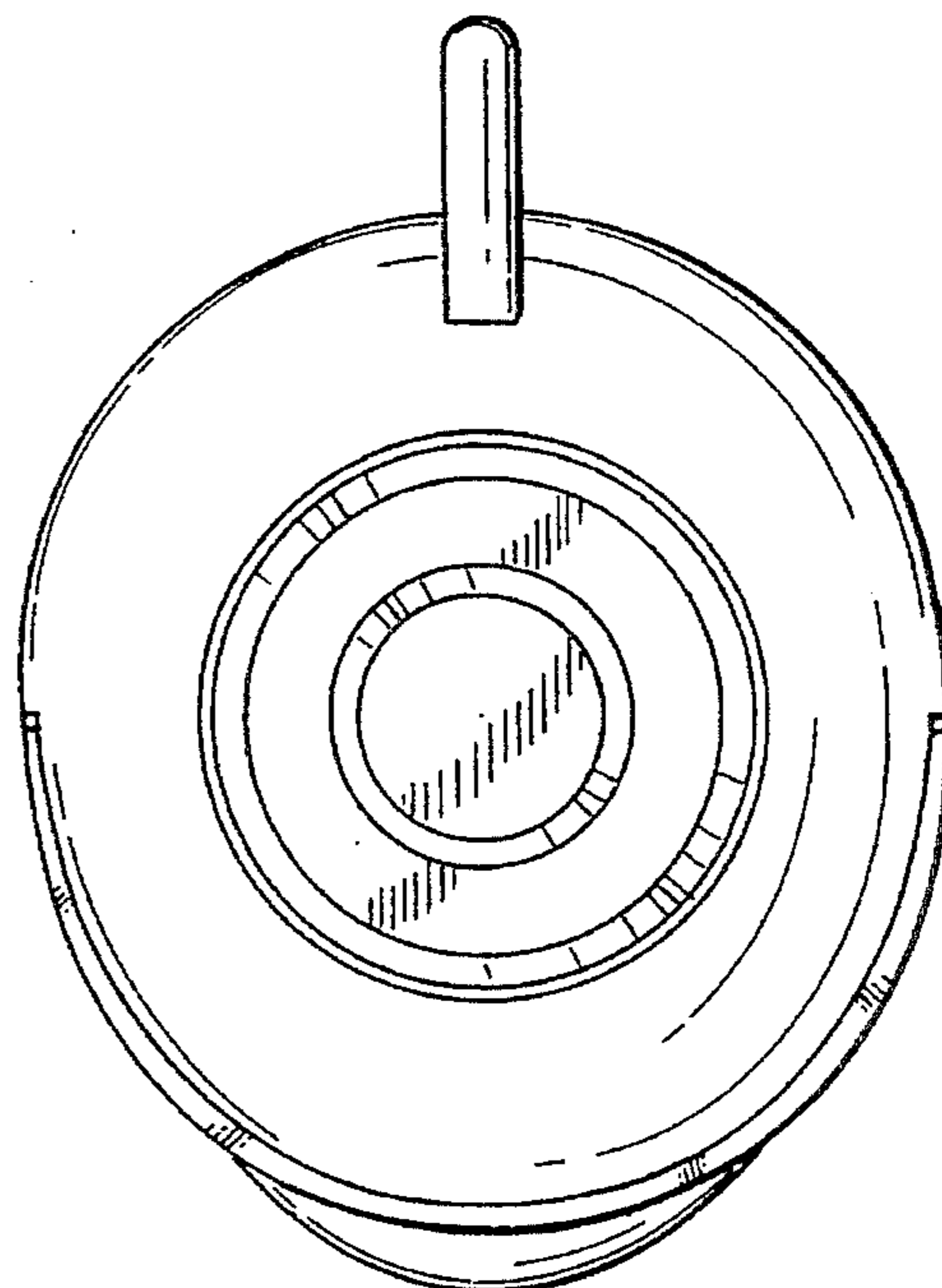


FIG-10

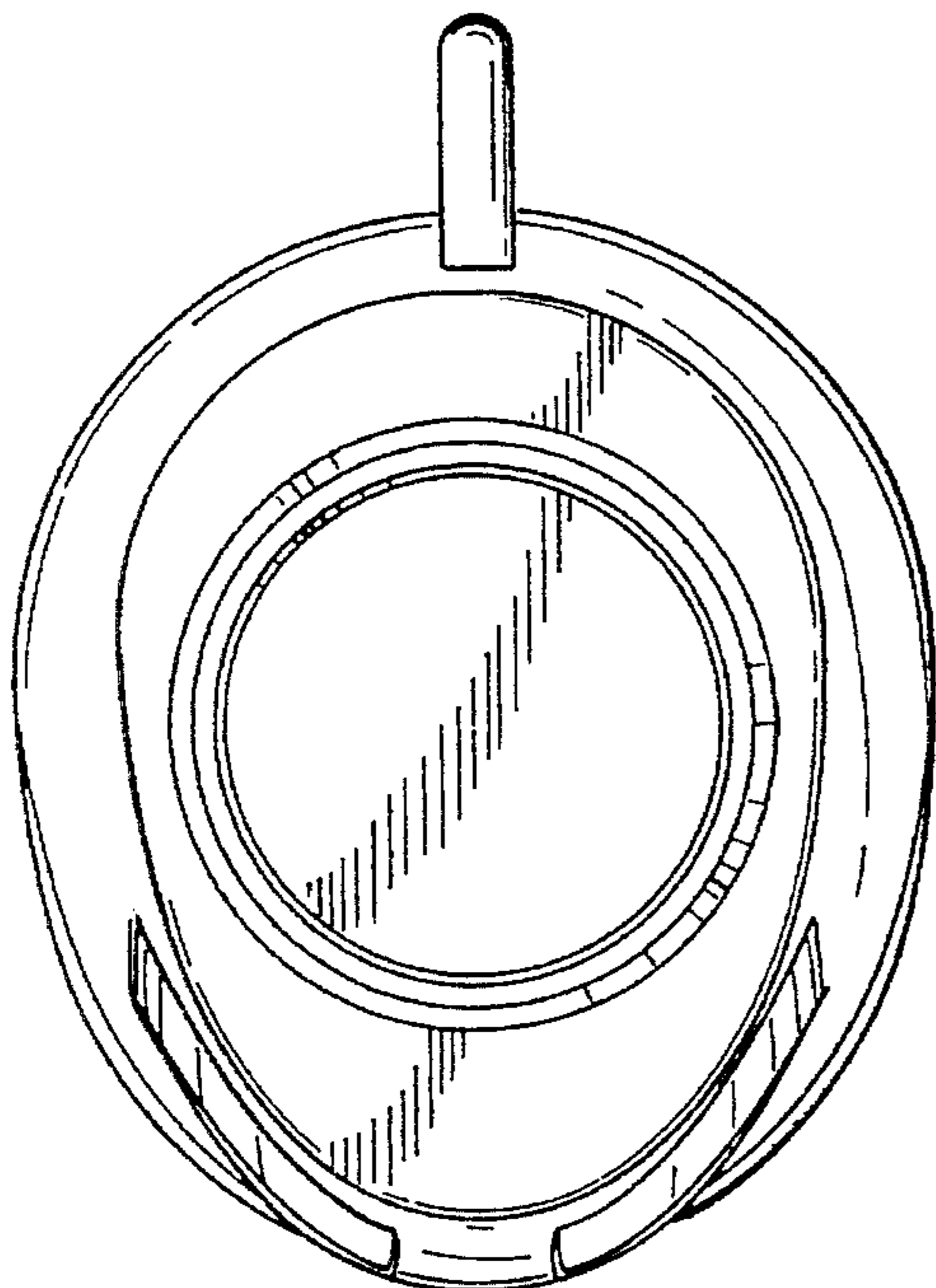


FIG-11

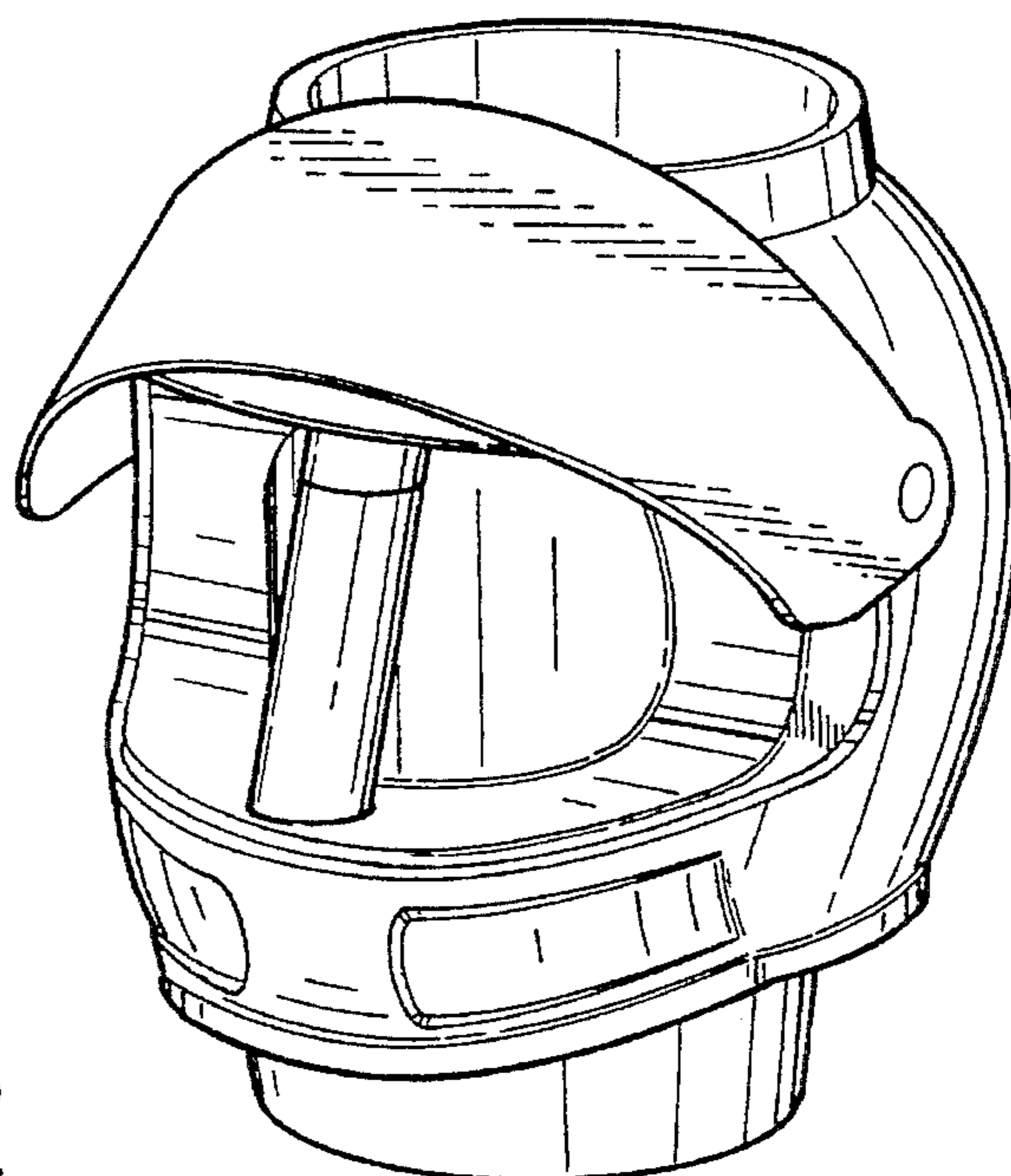


FIG-12