



US00D363851S

**United States Patent** [19]  
**Chen**

[11] **Patent Number:** **Des. 363,851**  
[45] **Date of Patent:** **\*\*Nov. 7, 1995**

[54] **BAKING PAN**

498,195 5/1893 Spahmer .  
2,932,293 4/1960 Rassieur ..... D7/354 X

[76] Inventor: **Ming-Jing Chen**, No. 29, Alley 39,  
Lane 206, Sec. 2, Tai-Ho Rd., Ah-Yi Li,  
Changhua City, Taiwan

*Primary Examiner*—Alan P. Douglas  
*Assistant Examiner*—Caron D. Veynar  
*Attorney, Agent, or Firm*—Morton J. Rosenberg; David I.  
Klein

[\*\*] Term: **14 Years**

[57] **CLAIM**

[21] Appl. No.: **19,611**

The ornamental design for a baking pan, as shown.

[22] Filed: **Mar. 8, 1994**

**DESCRIPTION**

[52] U.S. Cl. .... **D7/361; D7/360**

[58] **Field of Search** ..... D7/354-361, 323,  
D7/391; 99/324, 325, 339, 345, 425, 426;  
220/912

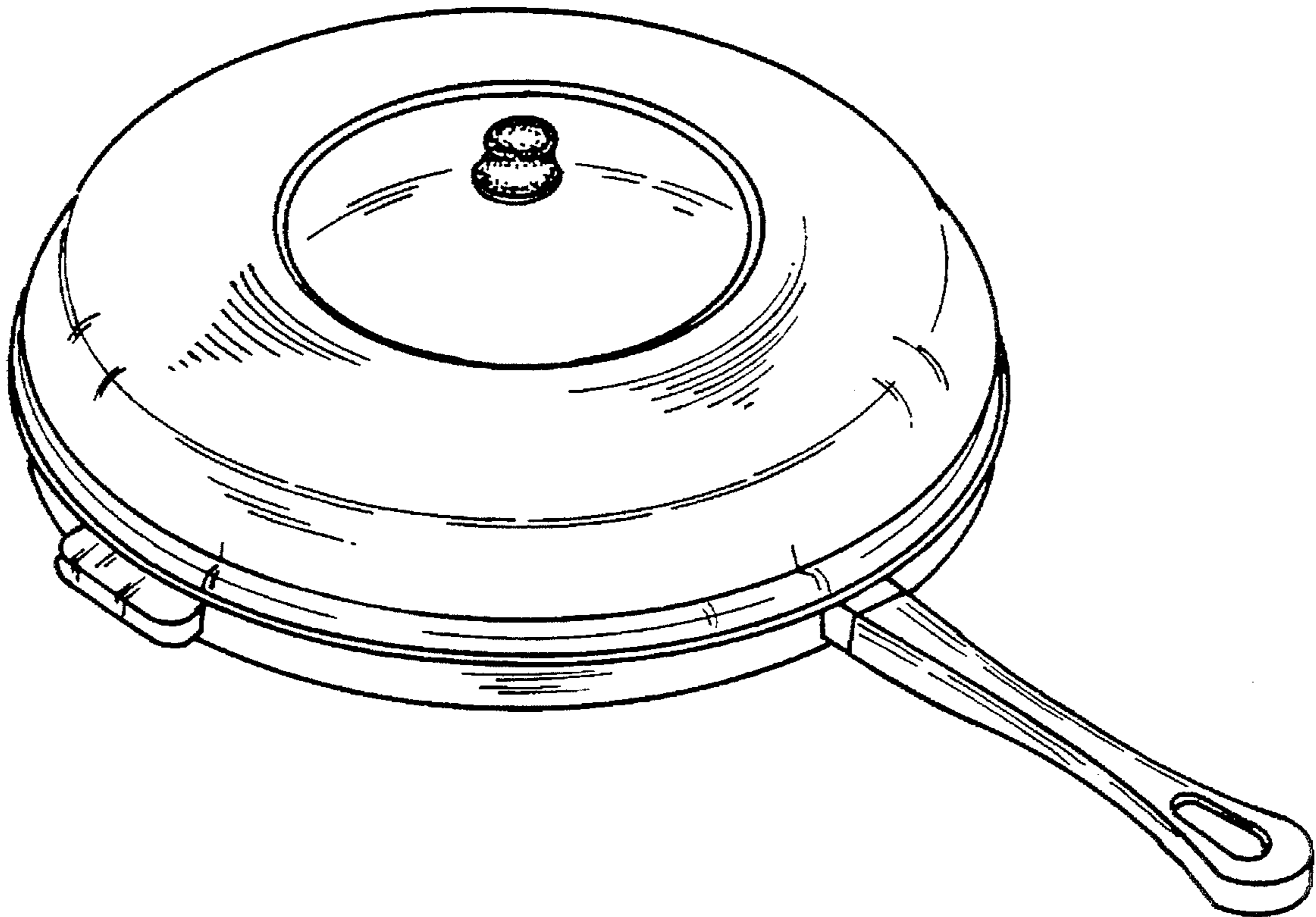
FIG. 1 is a top perspective view of a baking pan showing my  
new design;  
FIG. 2 is a front elevation view thereof;  
FIG. 3 is a rear elevation view thereof;  
FIG. 4 is a left side elevation view thereof;  
FIG. 5 is a right side elevation view thereof;  
FIG. 6 is a top plan view thereof; and,  
FIG. 7 is a bottom plan view thereof.

[56] **References Cited**

**U.S. PATENT DOCUMENTS**

D. 41,717 8/1911 Swan ..... D7/355 X  
D. 173,131 9/1954 Schreckengost ..... D7/360  
D. 266,823 11/1982 Martens ..... D7/356

**1 Claim, 4 Drawing Sheets**



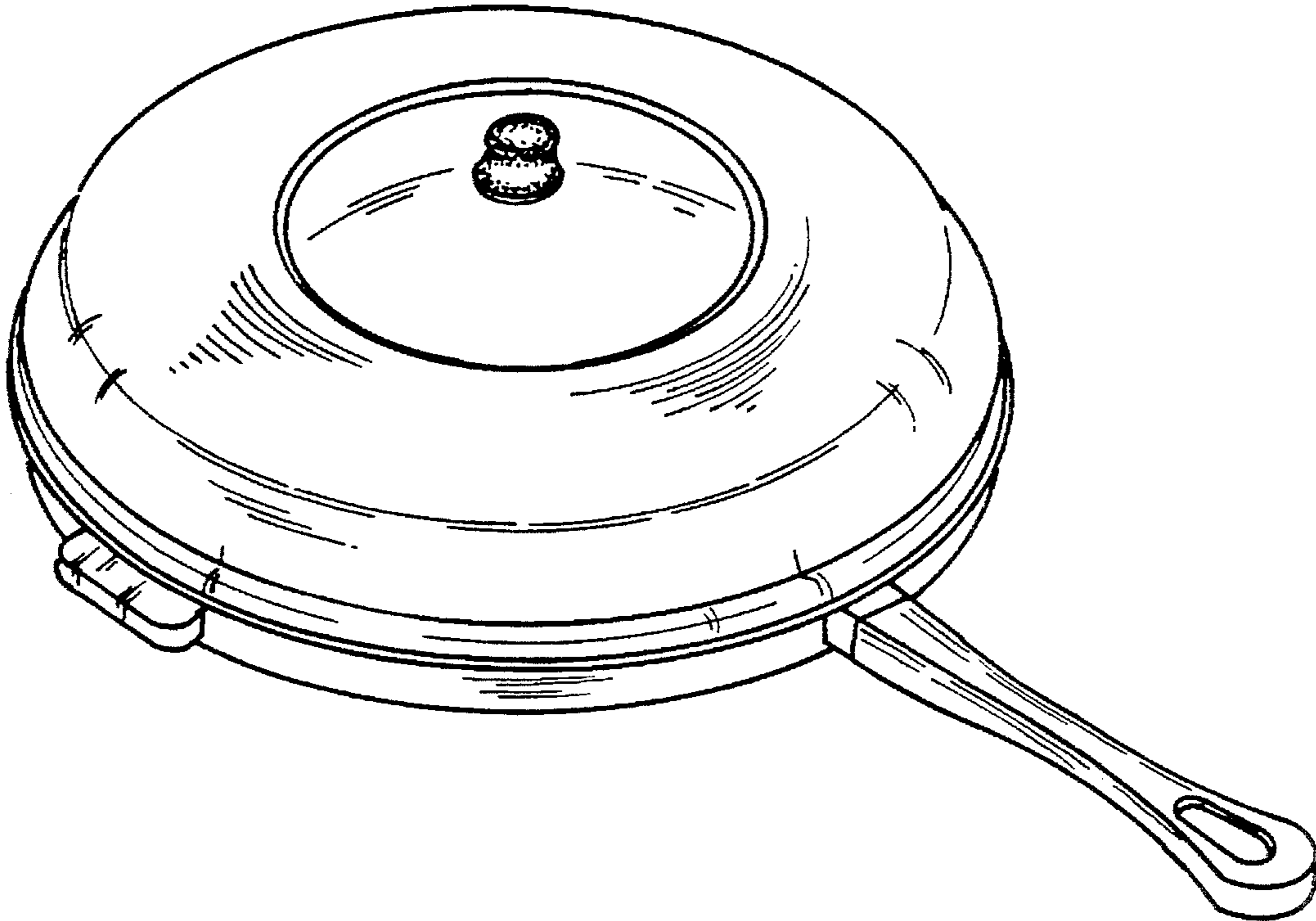


FIG.1

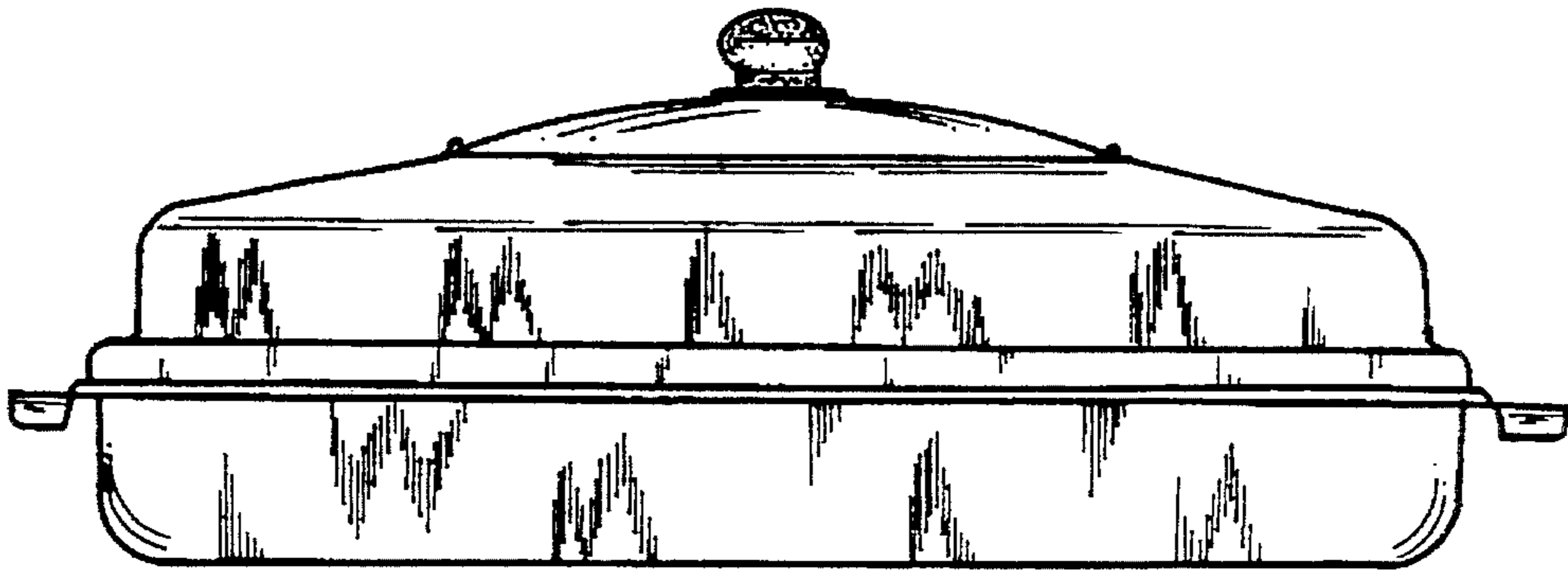


FIG. 2

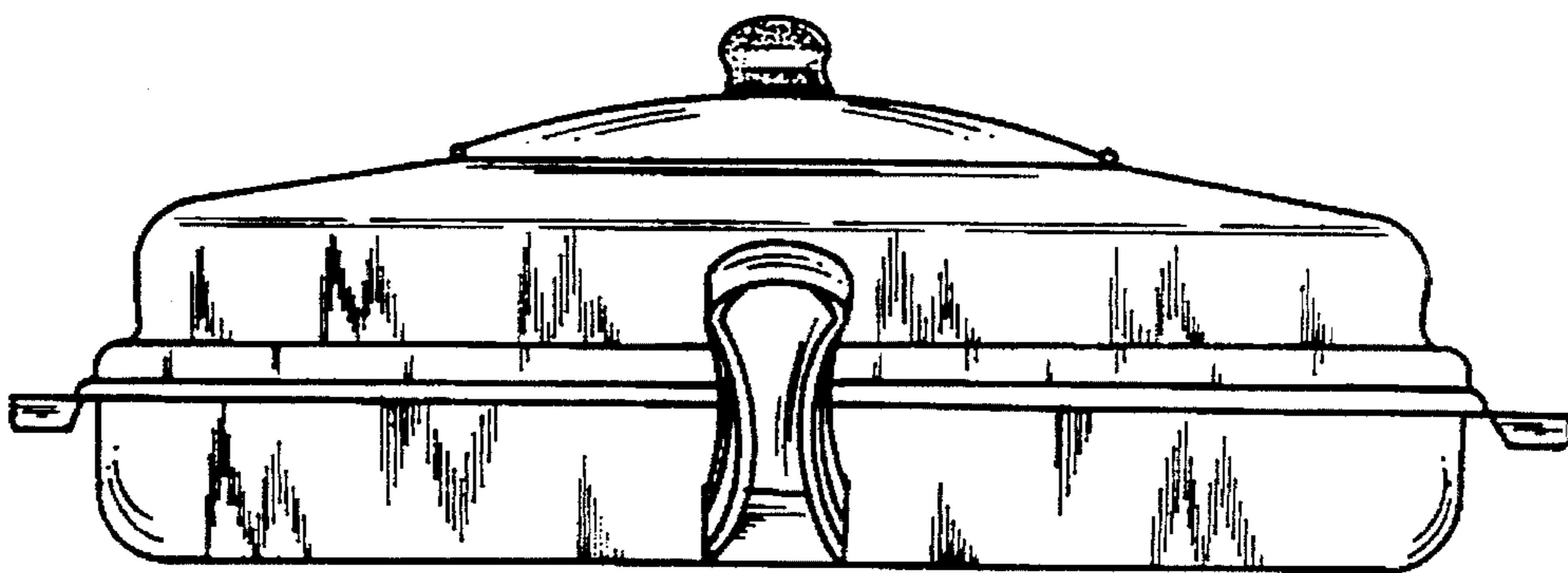


FIG. 3

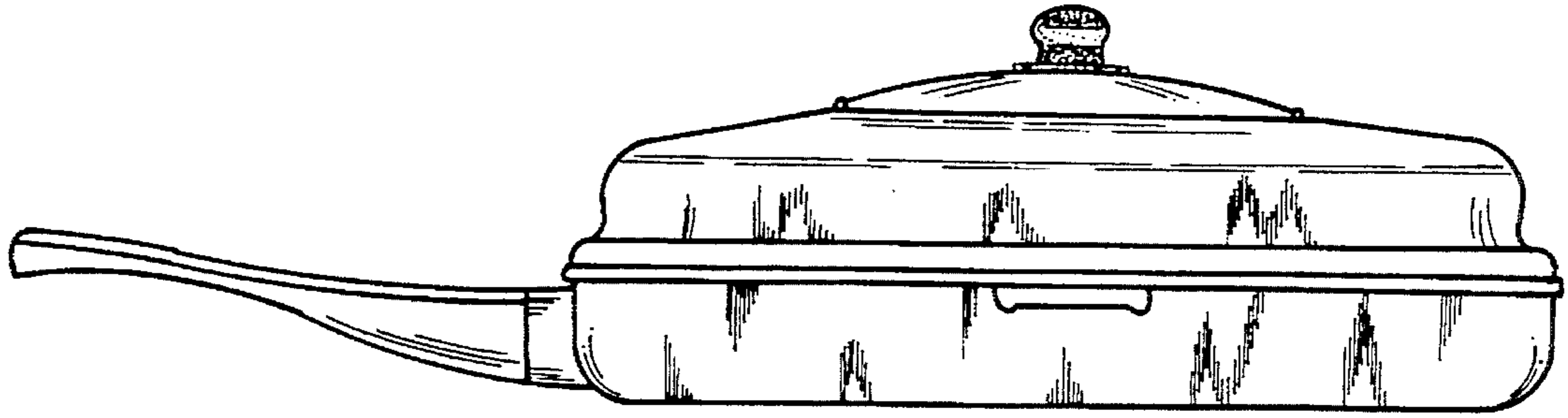


FIG. 4

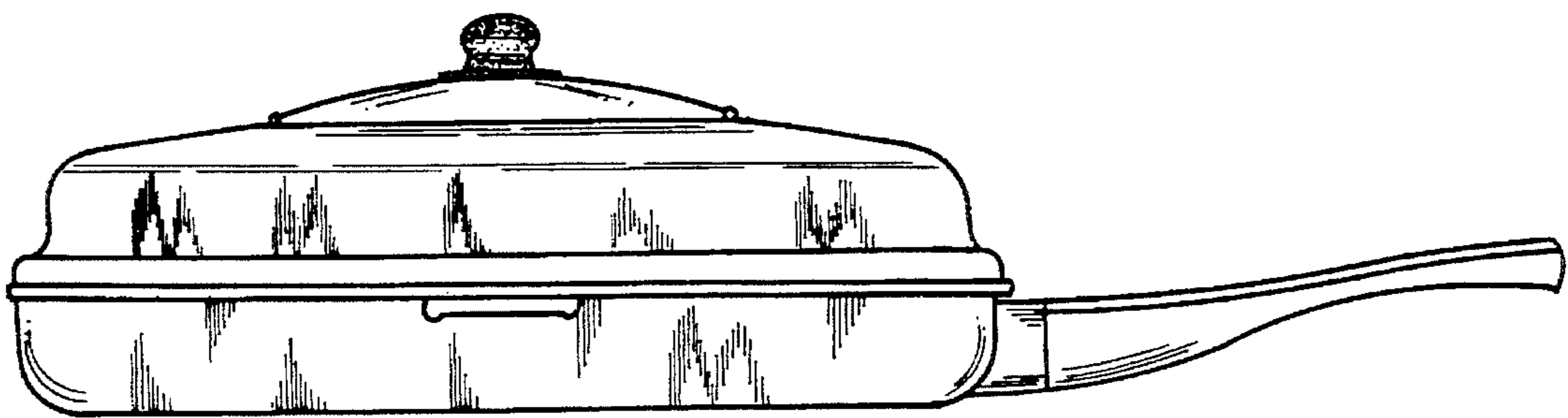


FIG. 5

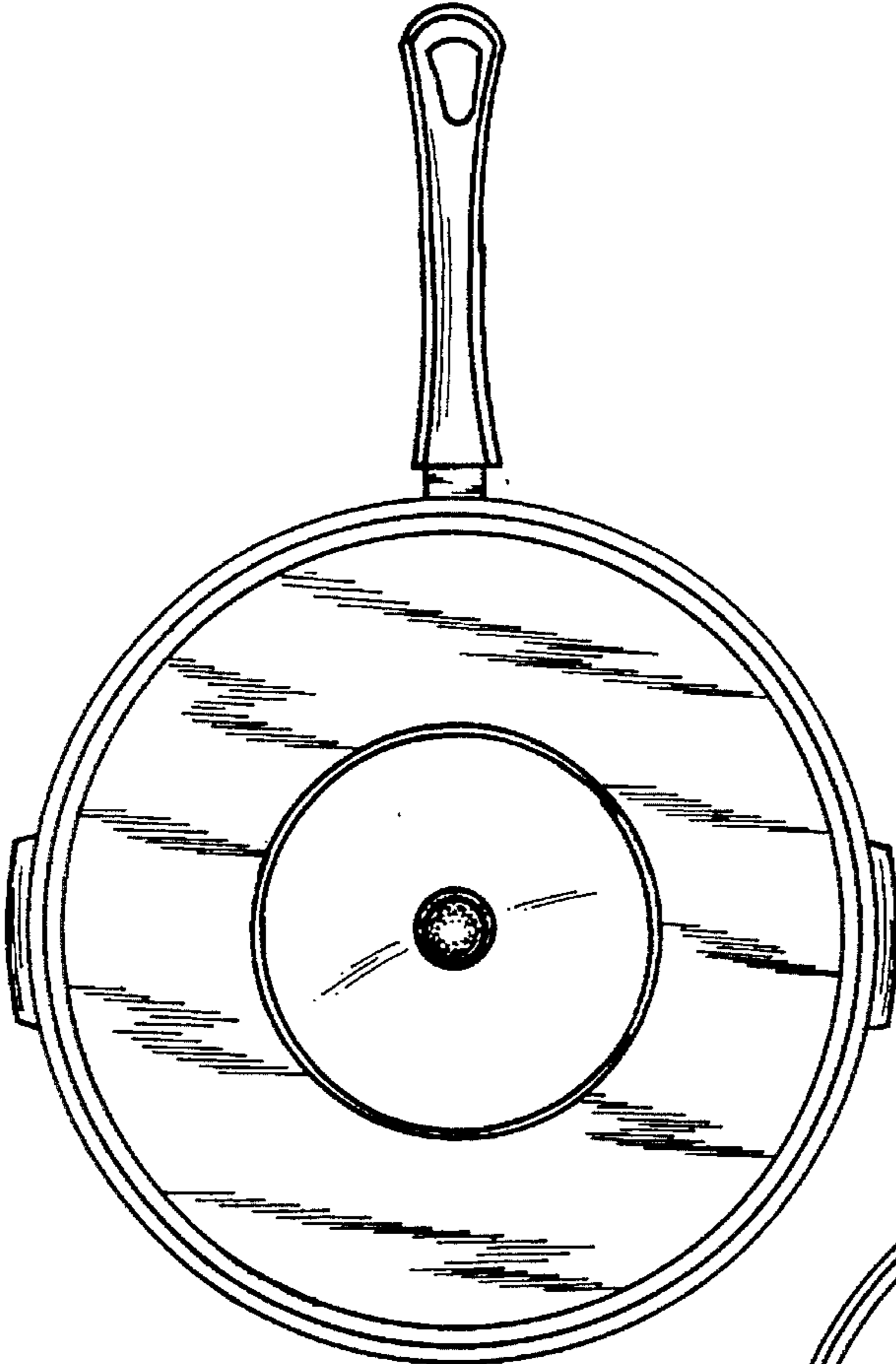


FIG.6

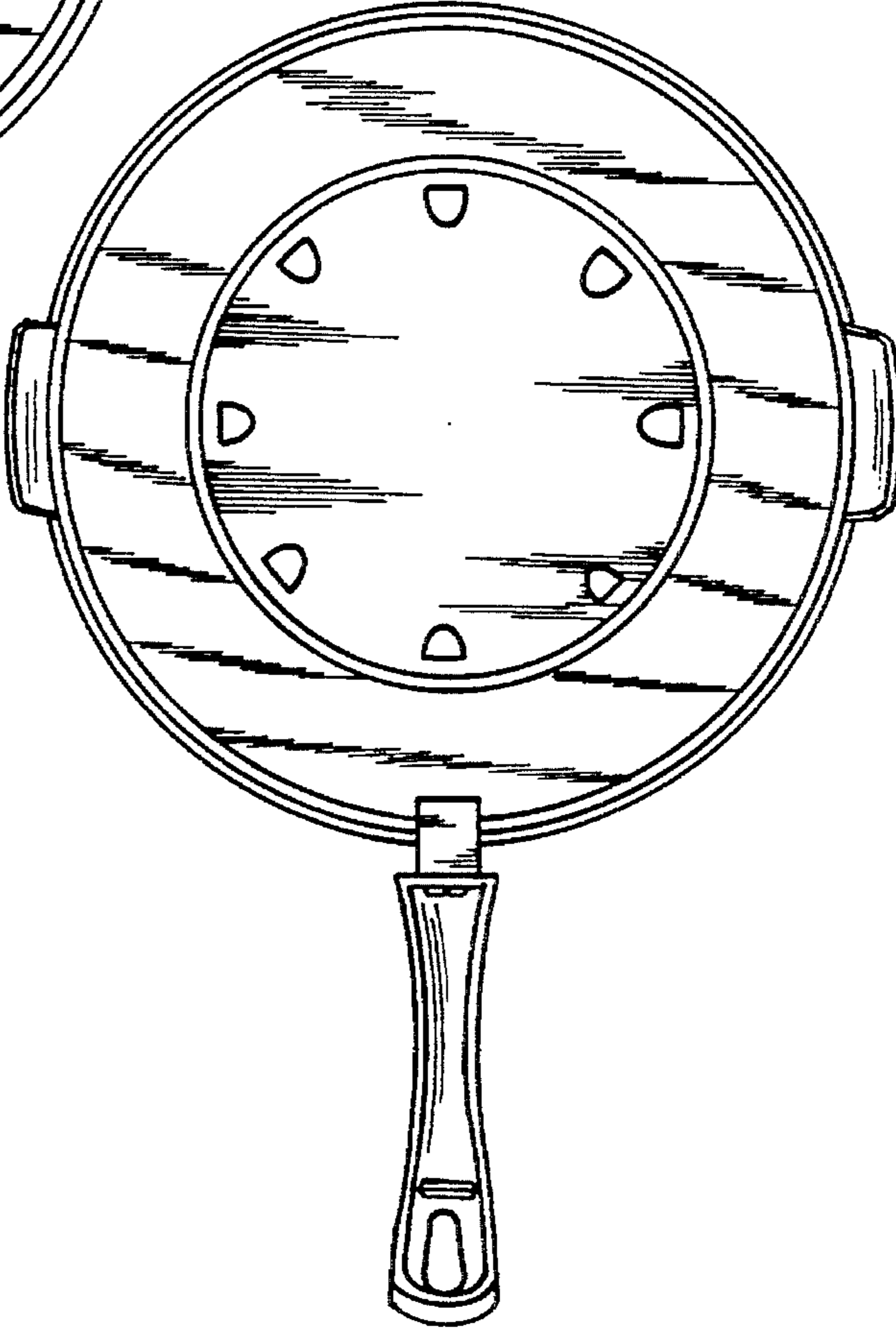


FIG.7