



US00D363850S

United States Patent [19]

[11] Patent Number: **Des. 363,850**

Towler

[45] Date of Patent: ****Nov. 7, 1995**

[54] **ARROW CLIP**

D. 248,347 7/1978 McCollum D6/552

[76] Inventor: **Kent F. Towler**, 2049 N. 500 West,
Renesselaer, Ind. 47978

Primary Examiner—Brian N. Vinson

[**] Term: **14 Years**

[57] **CLAIM**

The ornamental design for a arrow clip, as shown and described.

[21] Appl. No.: **27,973**

DESCRIPTION

[22] Filed: **Sep. 1, 1994**

[52] U.S. Cl. **D6/552**

[58] Field of Search D6/552, 553, 567,
D6/569, 572; D8/349, 354, 373; 206/207,
315.1, 315.11, 317; 211/13, 60.1, 64, 65,
68, 70.6, 86-87, 89; 248/49, 200, 309.1,
310, 312, 316.1, 316.7

FIG. 1 is a front elevational view of the arrow clip showing my new design;

FIG. 2 is a rear elevational view thereof;

FIG. 3 is a left side elevational view thereof;

FIG. 4 is a right side elevational view thereof;

FIG. 5 is a top plan view thereof;

FIG. 6 is a bottom plan view thereof; and,

FIG. 7 is a reduced top, front, and right side perspective view thereof, the broken-line disclosure of an arrow being for illustrative purposes only and forming no part of the claimed design.

[56] References Cited

U.S. PATENT DOCUMENTS

D. 190,429 5/1961 Hoagland D6/552

D. 225,706 1/1973 McCollum D6/552

1 Claim, 4 Drawing Sheets

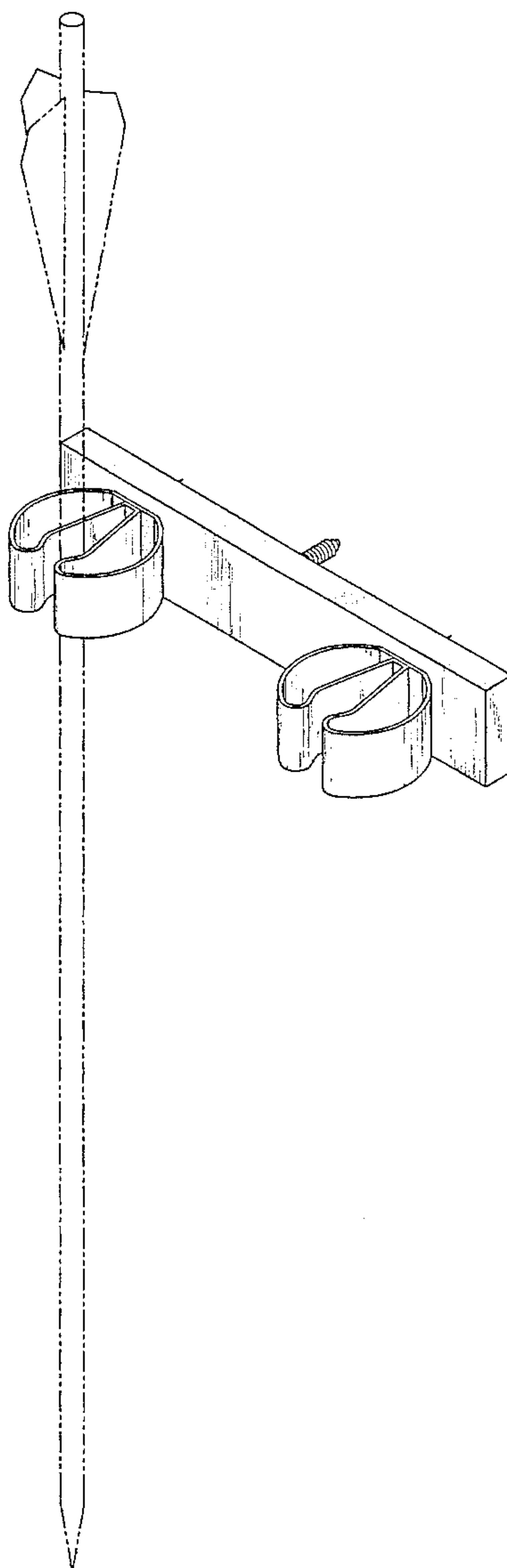


FIG. 1

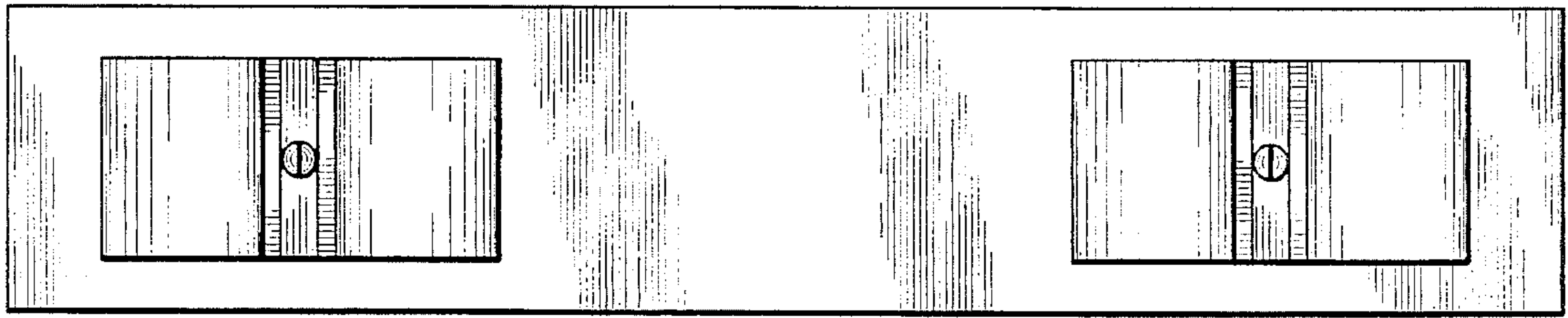


FIG. 2

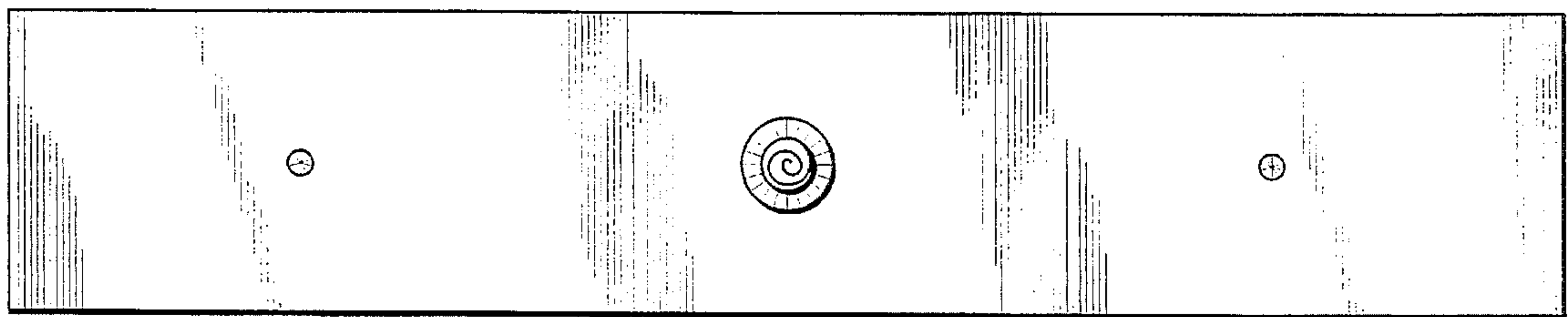


FIG. 3

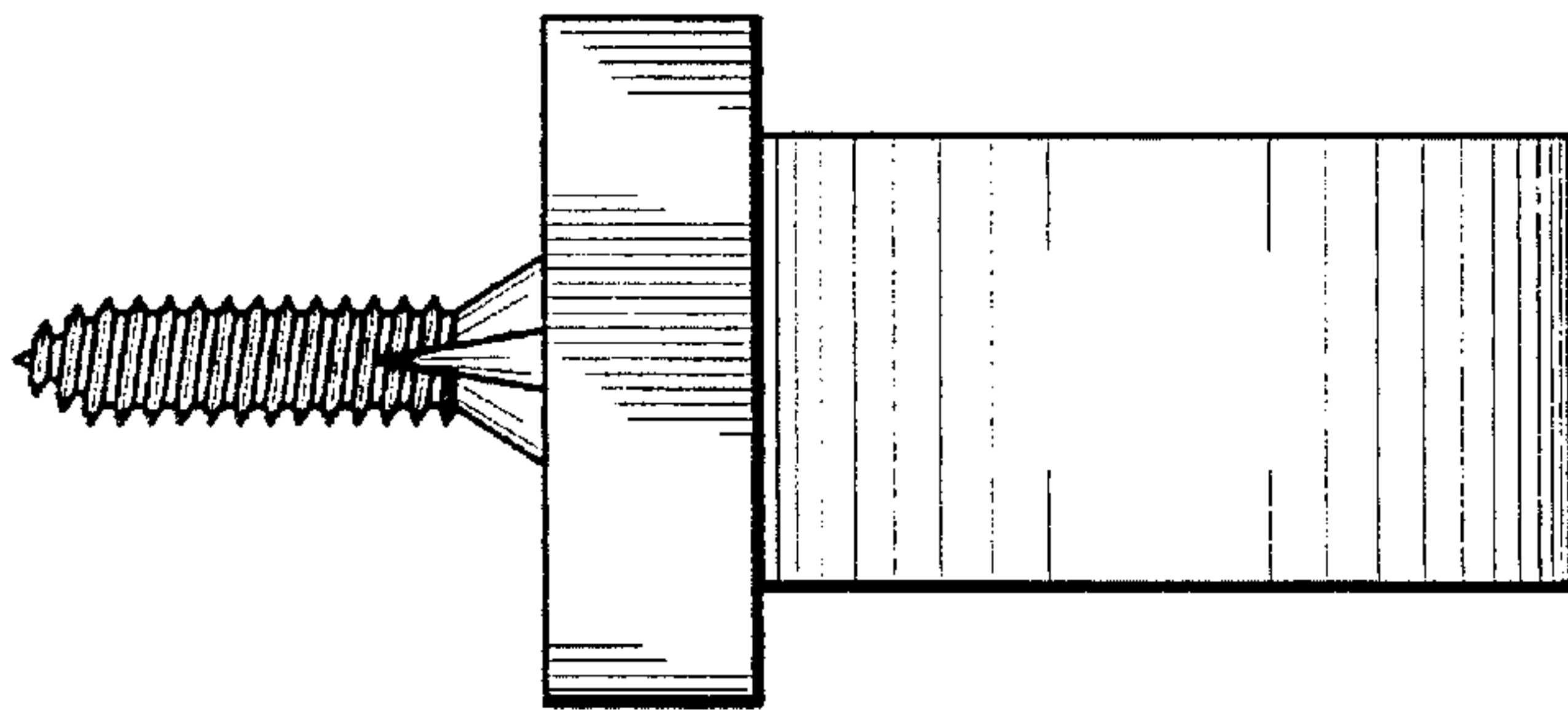


FIG. 4

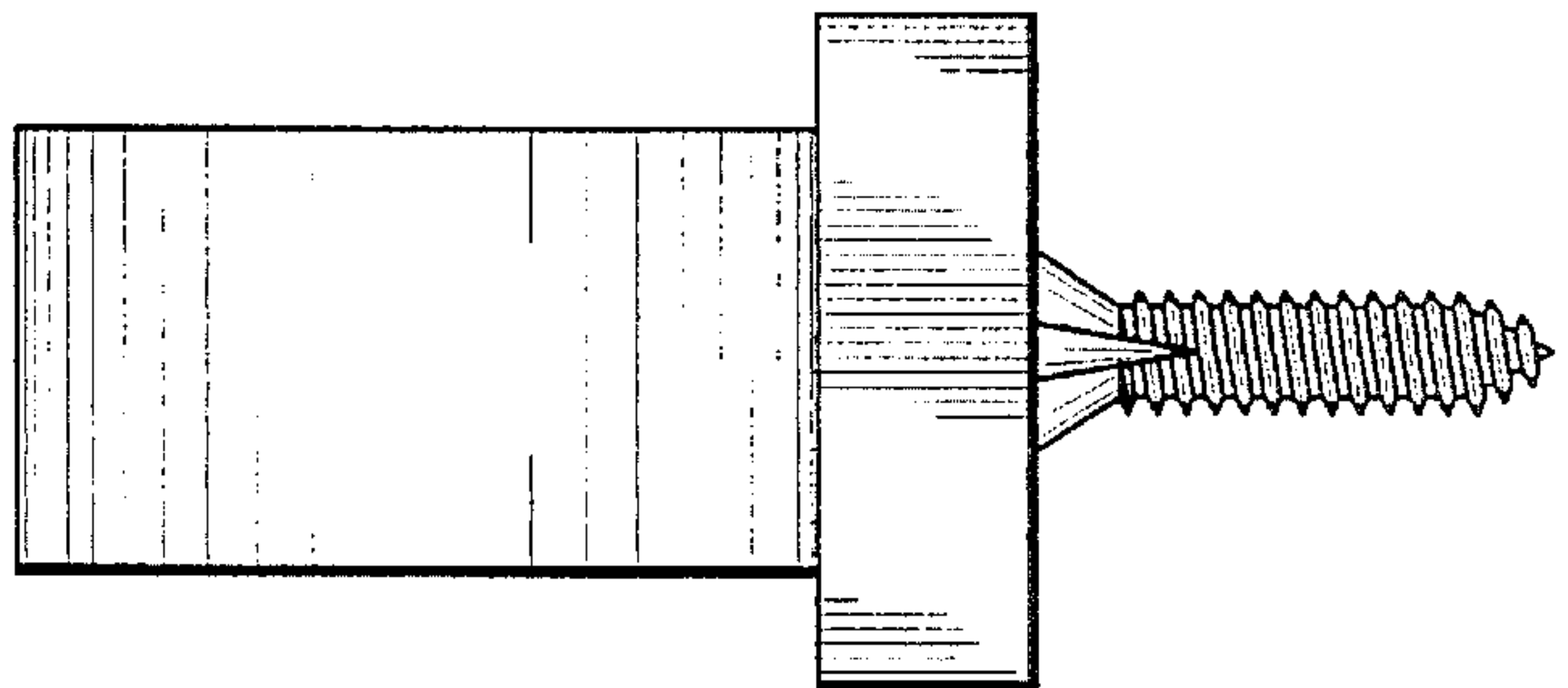


FIG. 5

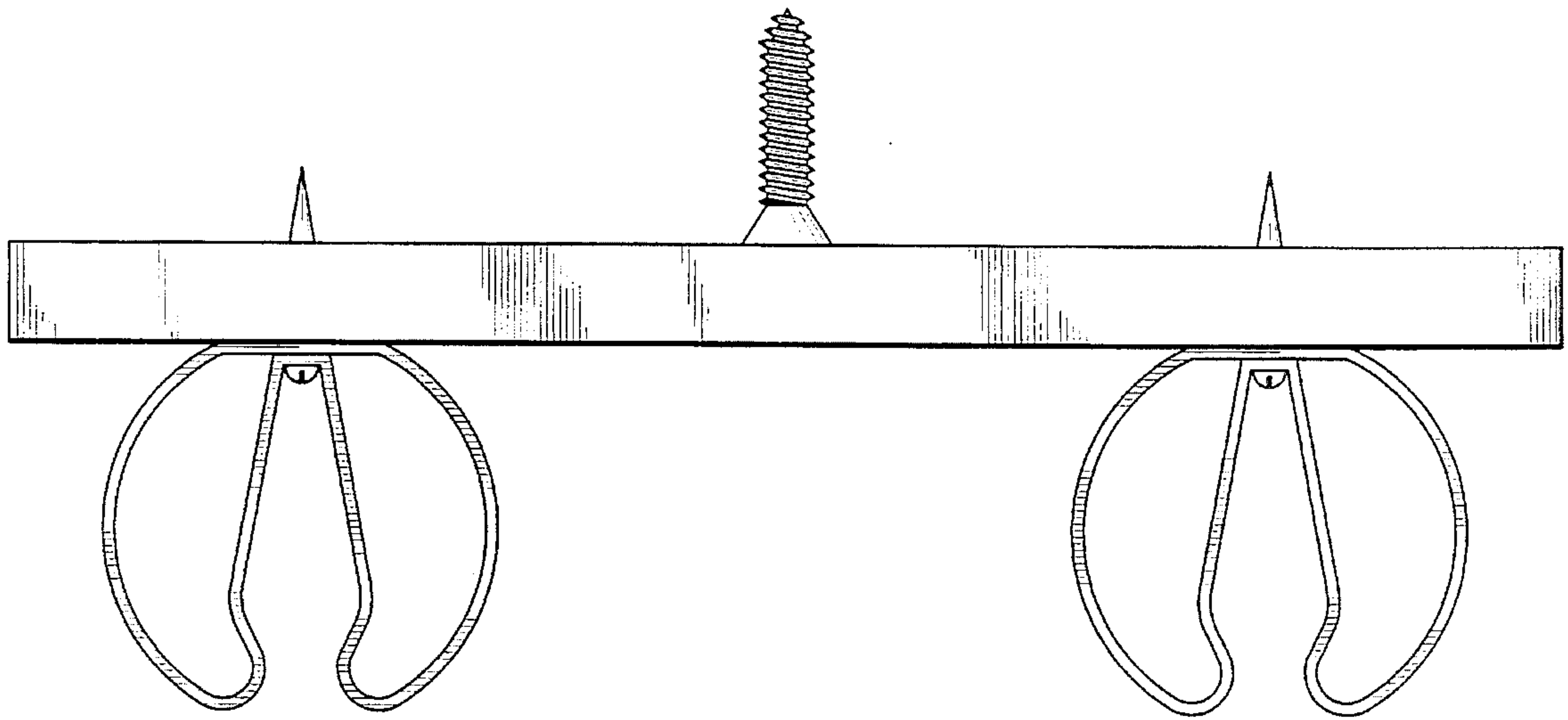


FIG. 6

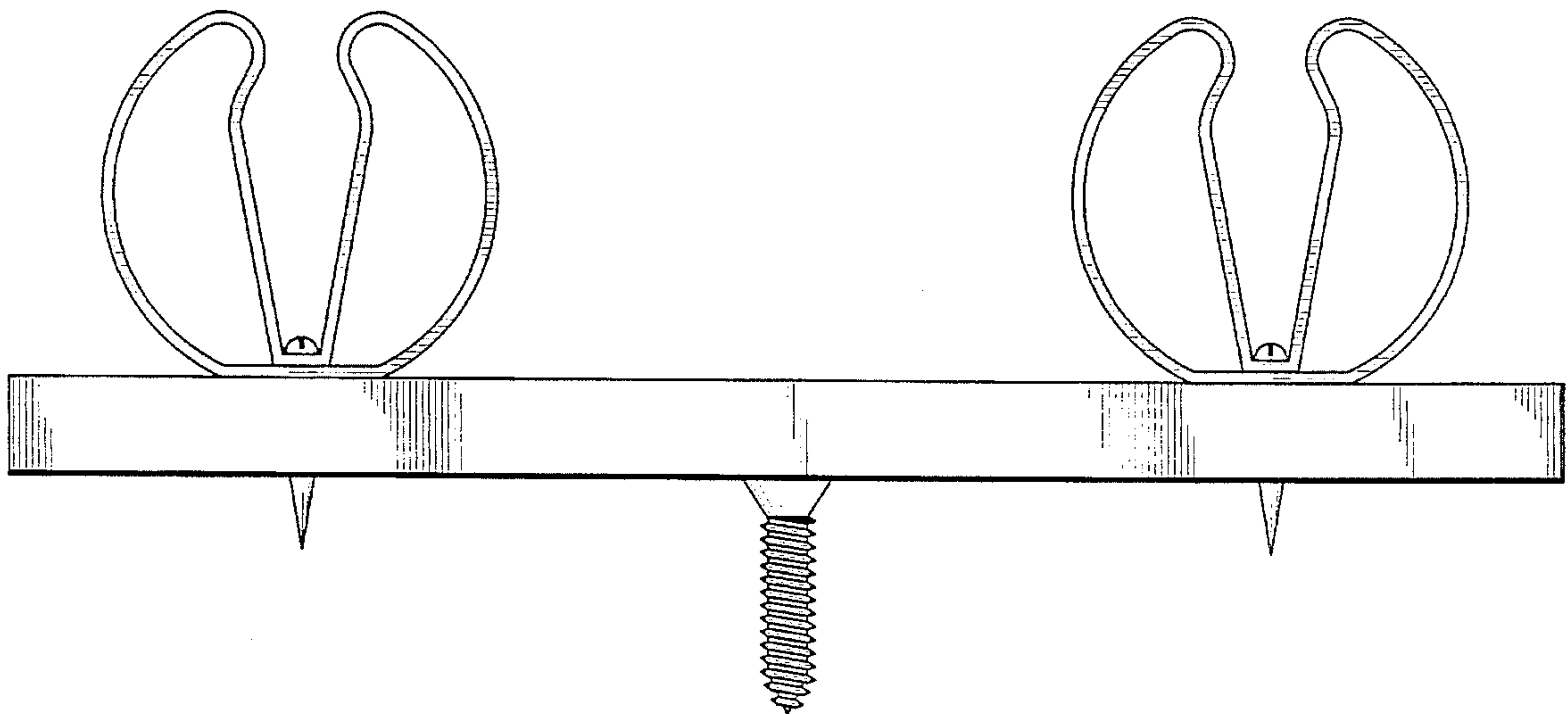


FIG. 7

