



US00D363847S

United States Patent [19] Young

[11] Patent Number: **Des. 363,847**

[45] Date of Patent: ****Nov. 7, 1995**

[54] **AUTOMATIC TOOTHPASTE TUBE DISPENSER**

3,222,784 2/1966 Gordon 222/98
4,010,873 3/1977 Mardirossian 222/101

[76] Inventor: **Ivan Young**, 509 W. 61st Pl., Chicago, Ill. 60621-3231

Primary Examiner—Brian N. Vinson
Attorney, Agent, or Firm—Harpman & Harpman

[**] Term: **14 Years**

[57] **CLAIM**

[21] Appl. No.: **28,102**

The ornamental design for an automatic toothpaste tube dispenser, as shown and described.

[22] Filed: **Sep. 7, 1994**

DESCRIPTION

[52] U.S. Cl. **D6/541**

FIG. 1 is a front, top and side perspective view of the automatic toothpaste tube dispenser embodying the design of the present invention;

[58] Field of Search D6/541, 542; 222/92, 222/95, 103, 105; 206/277

FIG. 2 is a front elevational view thereof, the rear opposite being a mirror image of the front shown in FIG. 2;

FIG. 3 is a left side elevational view thereof;

FIG. 4 is a right side elevational view thereof;

FIG. 5 is a top plan view thereof; and,

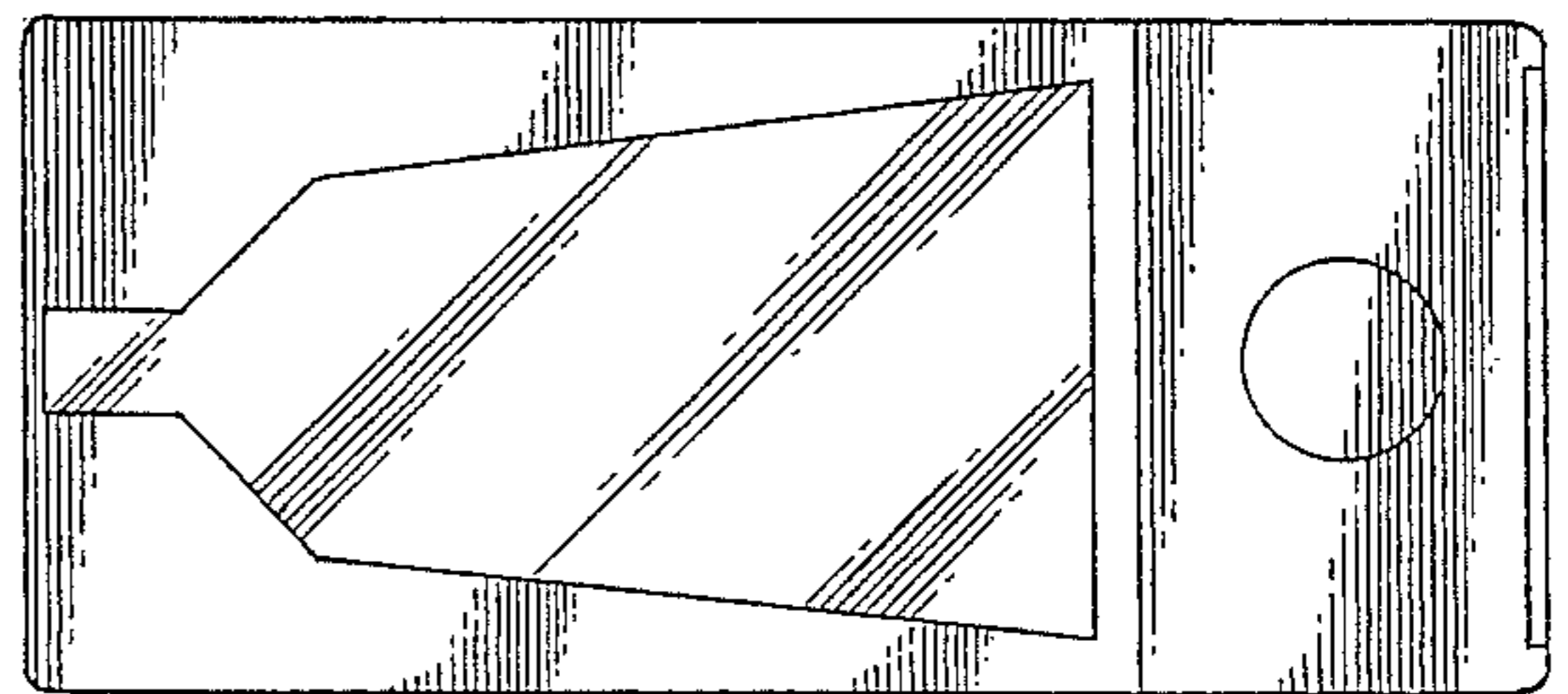
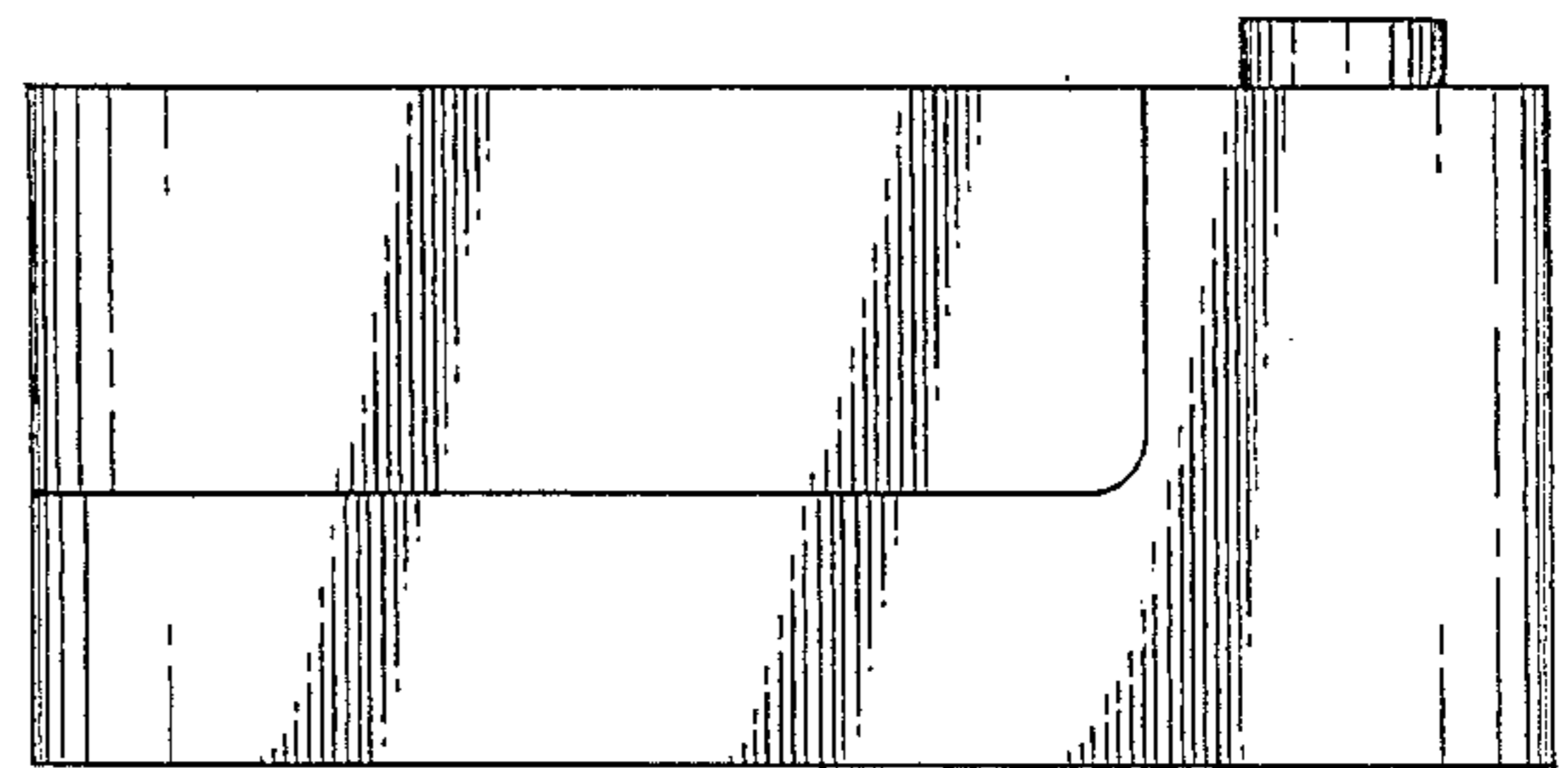
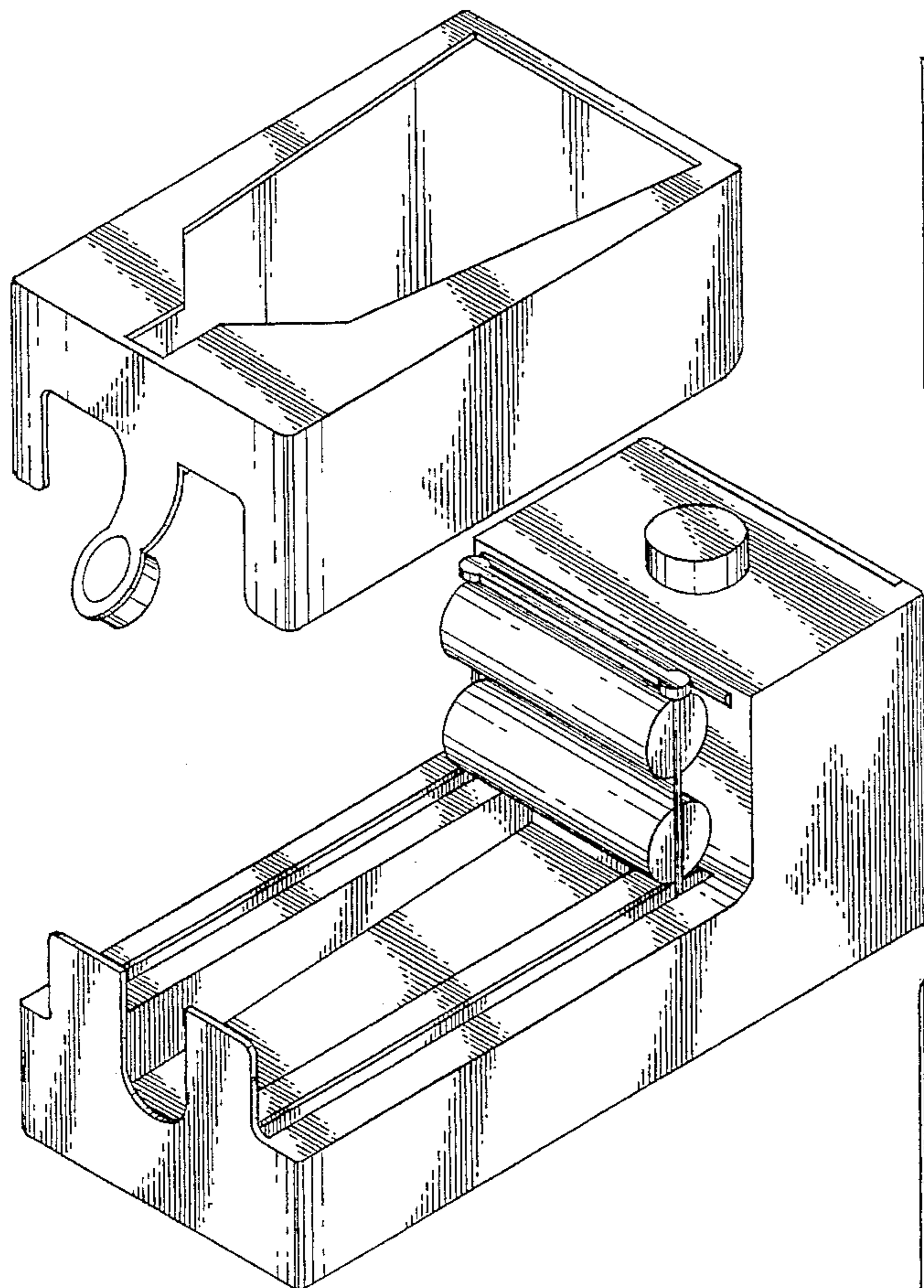
FIG. 6 is a bottom plan view thereof.

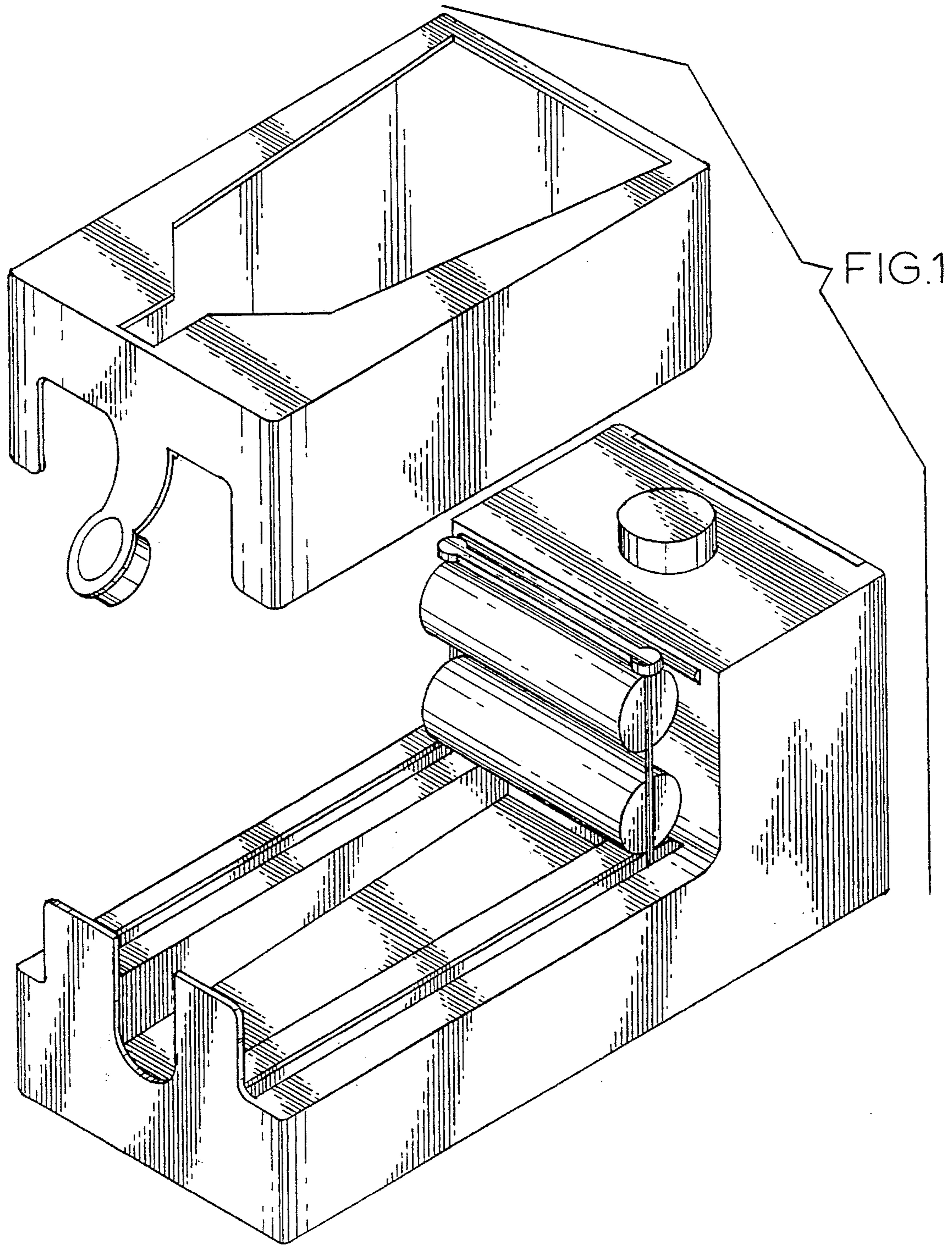
[56] References Cited

U.S. PATENT DOCUMENTS

D. 261,453	10/1981	Pool	D8/541
D. 315,842	4/1991	Tallman	D8/541
D. 335,991	6/1993	Roberts et al.	D8/541
2,936,006	5/1960	Henley	D6/541 X

1 Claim, 3 Drawing Sheets





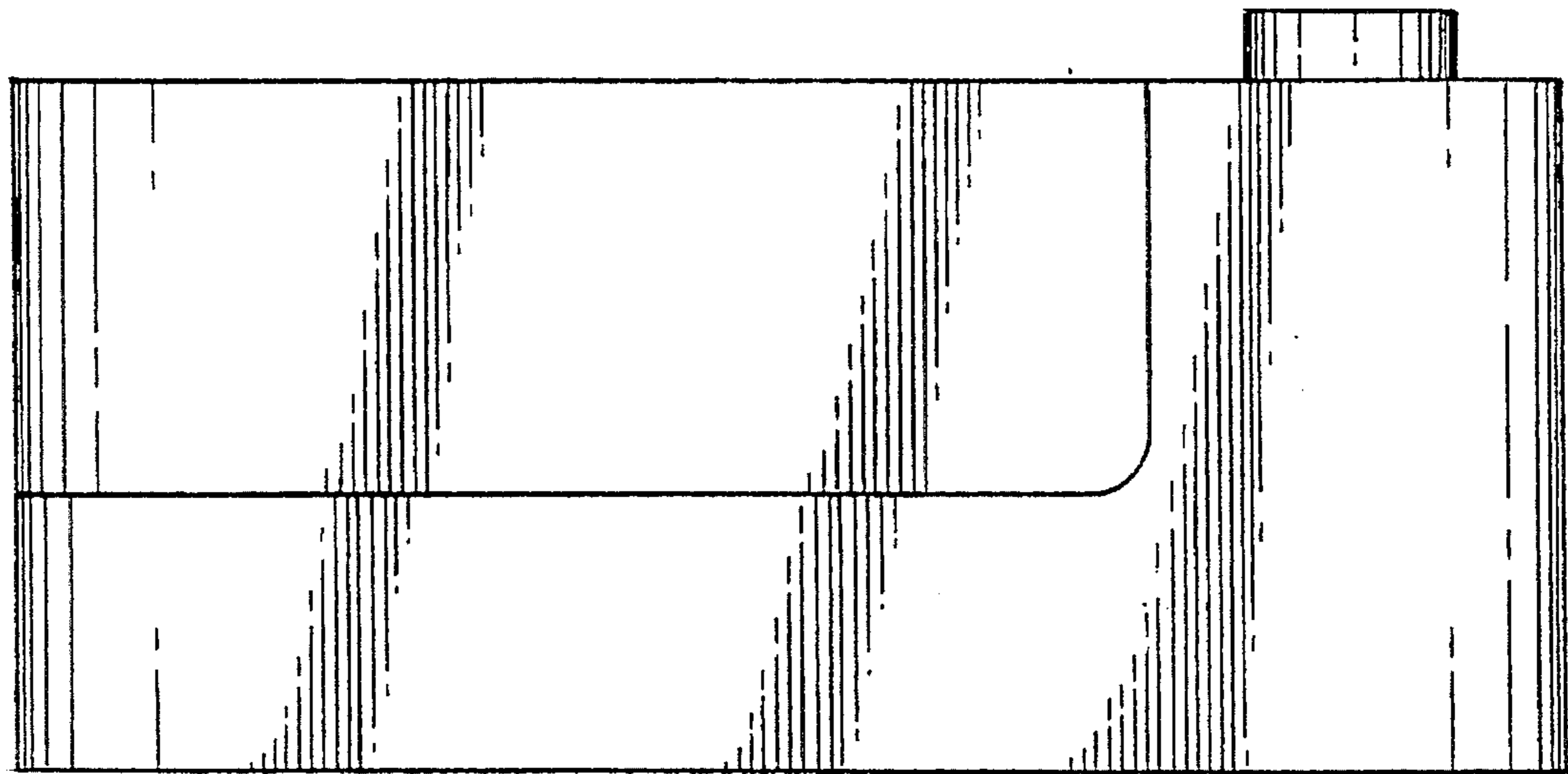


FIG. 2

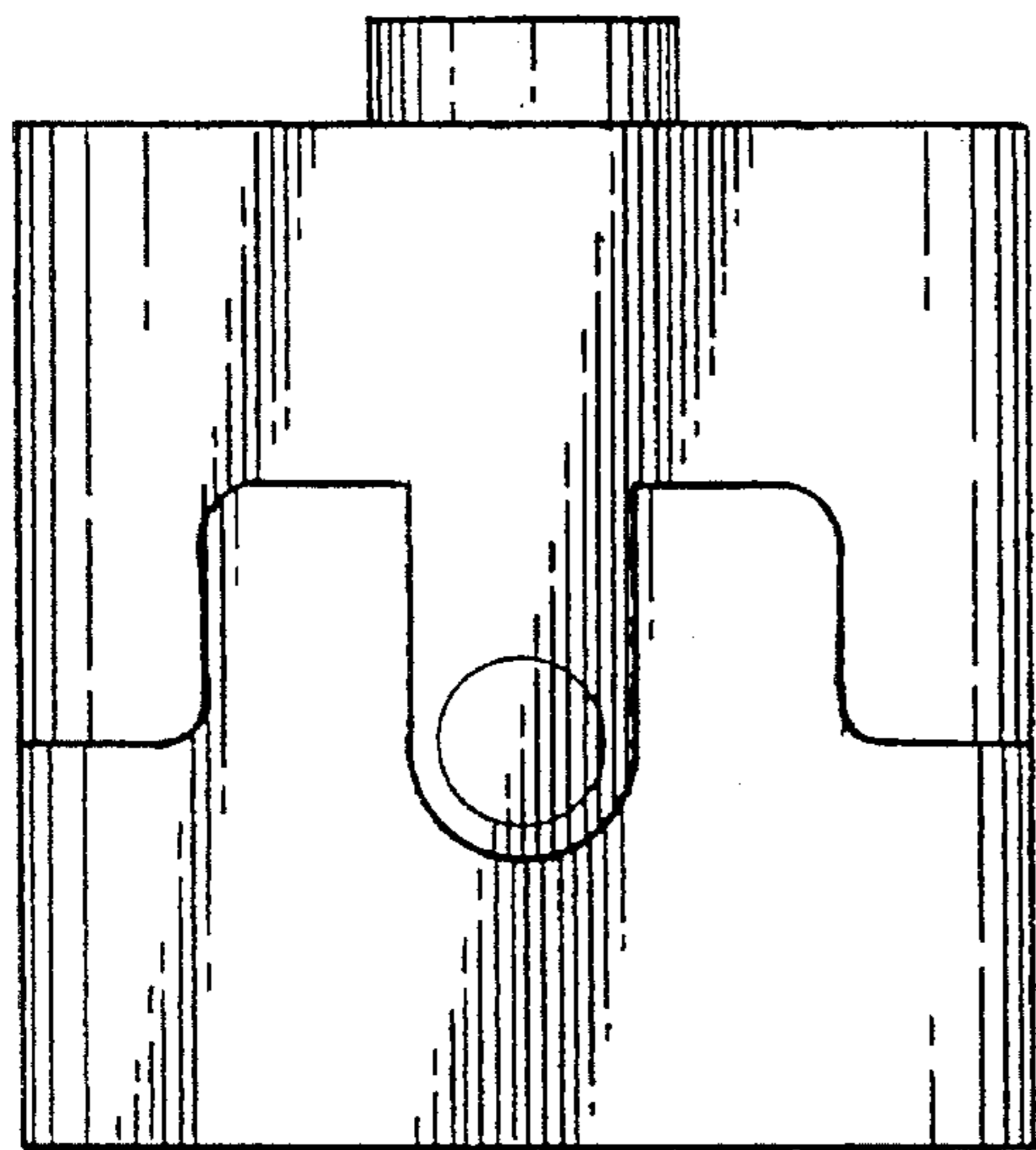


FIG. 3

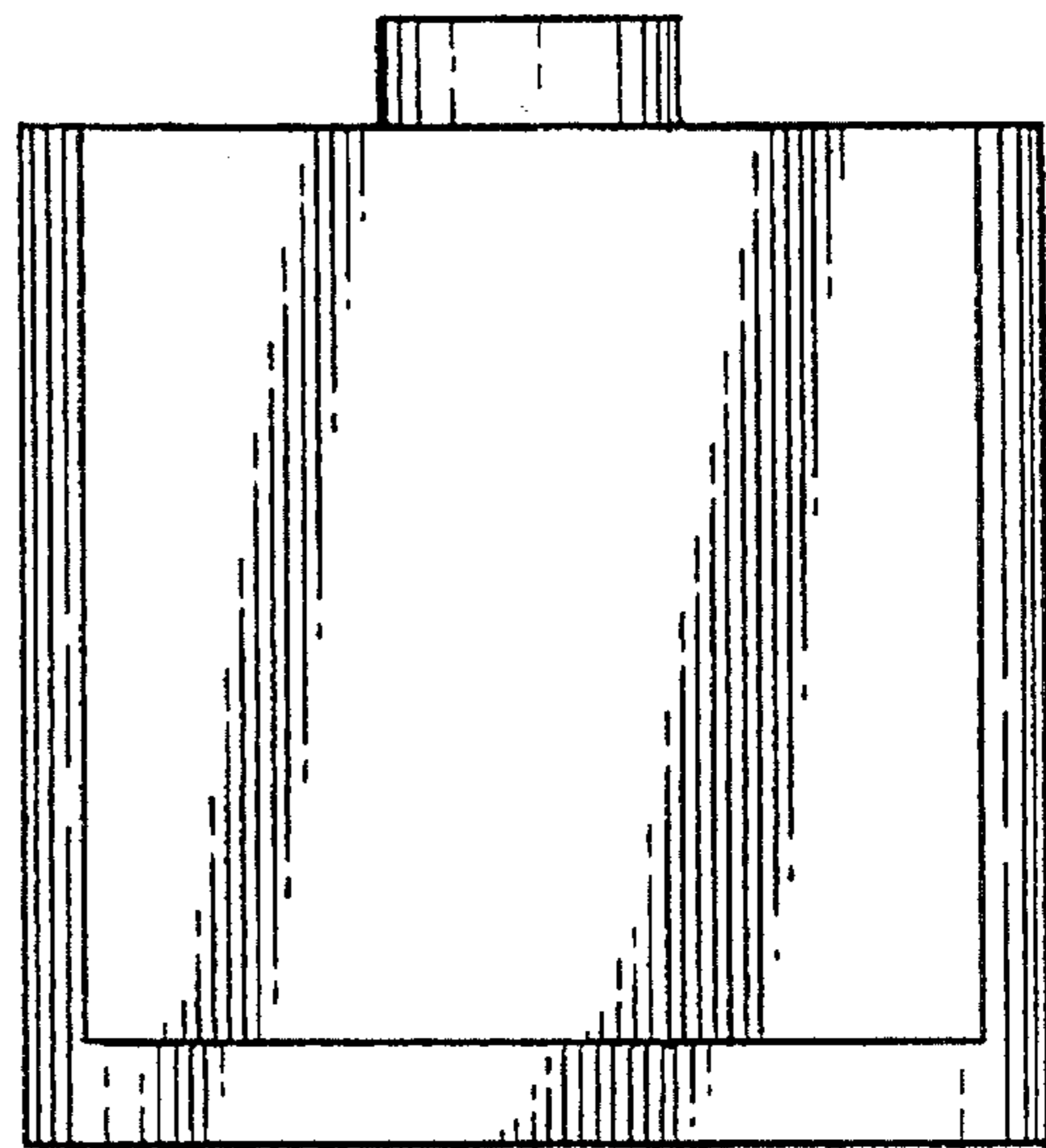


FIG. 4

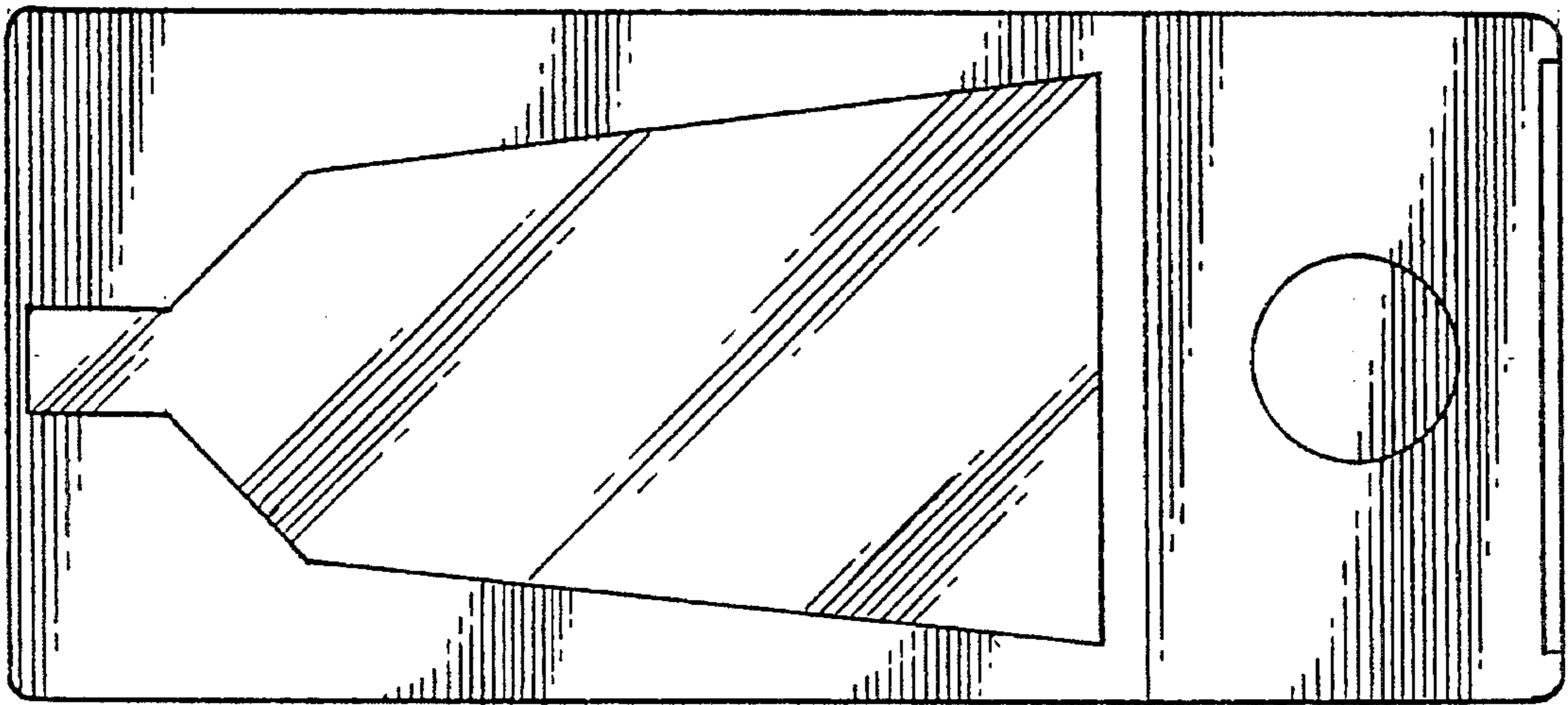


FIG. 5

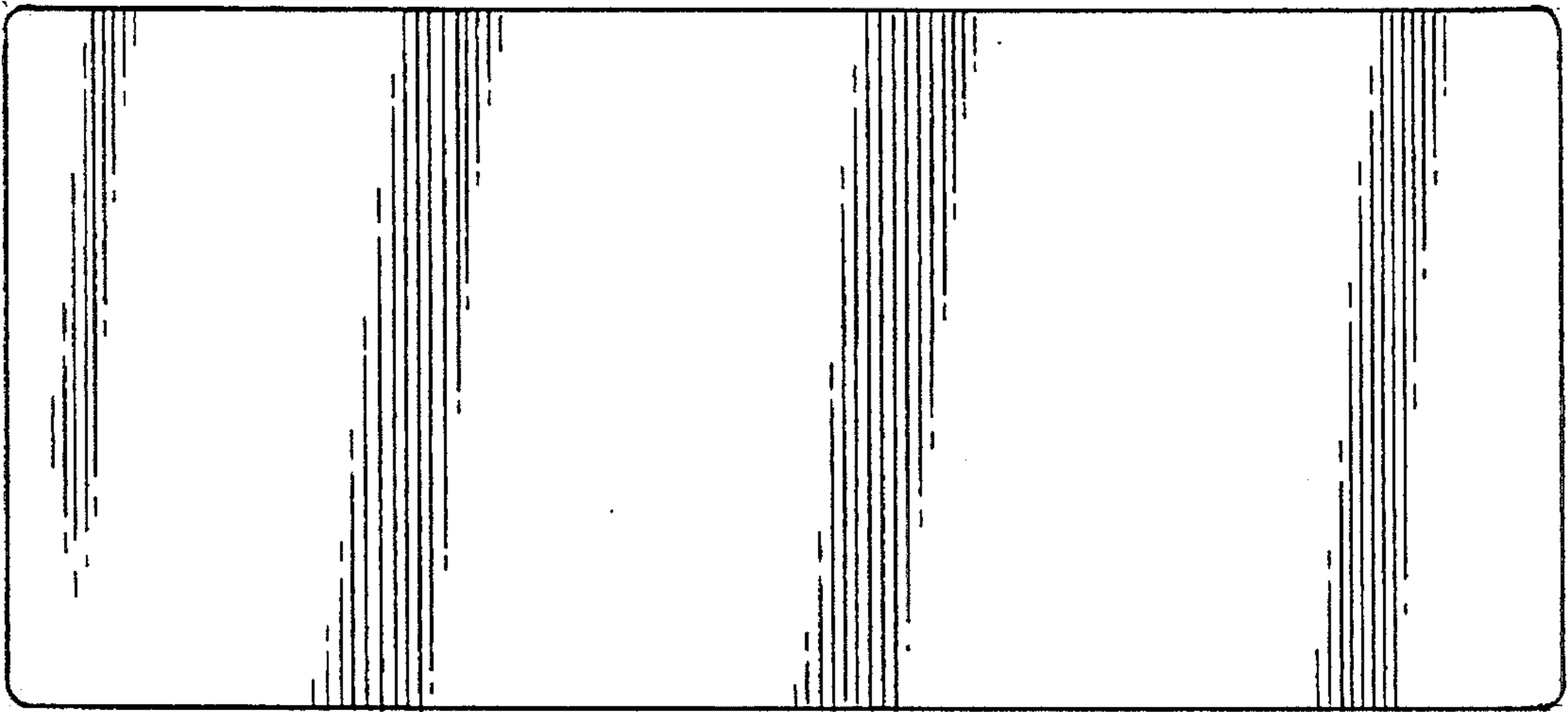


FIG. 6