



US00D363843S

United States Patent [19]
Larkin

[11] **Patent Number: Des. 363,843**

[45] **Date of Patent: **Nov. 7, 1995**

[54] **CHAIR BASE**

[75] **Inventor: Robert F. Larkin, High Point, N.C.**

[73] **Assignee: Miller Desk, Inc., High Point, N.C.**

[**] **Term: 14 Years**

[21] **Appl. No.: 24,302**

[22] **Filed: Jun. 13, 1994**

[52] **U.S. Cl. D6/498**

[58] **Field of Search D6/495-499, 487,
D6/366; 248/188.1, 188.7, 188.8, 188.9**

[56] **References Cited**

U.S. PATENT DOCUMENTS

D. 206,000	10/1966	Moore et al.	D6/498
D. 247,463	3/1978	Muller-Deisig	D6/366
D. 260,216	8/1981	Buhle	D6/498
D. 276,396	11/1984	Locher	D6/498

D. 282,221	1/1986	Platner	D6/366
D. 313,703	1/1991	Moschini et al.	D6/379 X
D. 322,363	12/1991	Narita	D6/366
D. 326,370	5/1992	Buchacz	D6/366
D. 344,190	2/1994	Fulcheri	D6/366
D. 353,718	12/1994	Olson	D6/366

Primary Examiner—Janice E. Seeger
Attorney, Agent, or Firm—Brian D. Voyce

[57] **CLAIM**

The ornamental design for a chair base, as shown and described.

DESCRIPTION

FIG. 1 is a perspective view of a chair base, showing my new design;

FIG. 2 is a typical side elevational view; and,

FIG. 3 is a top plan view thereof.

The bottom of the article is plain and unornamented.

1 Claim, 2 Drawing Sheets

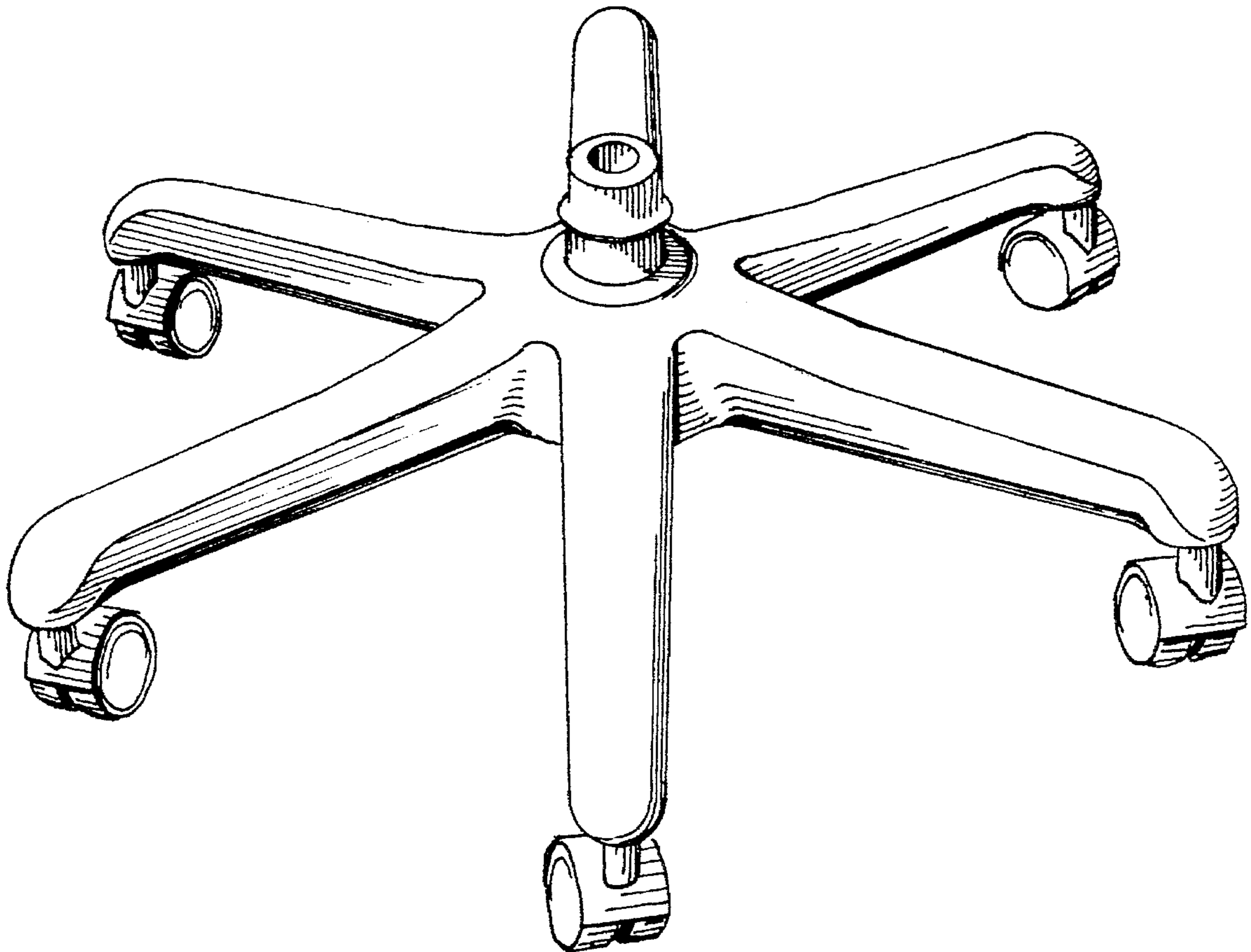


FIGURE 1

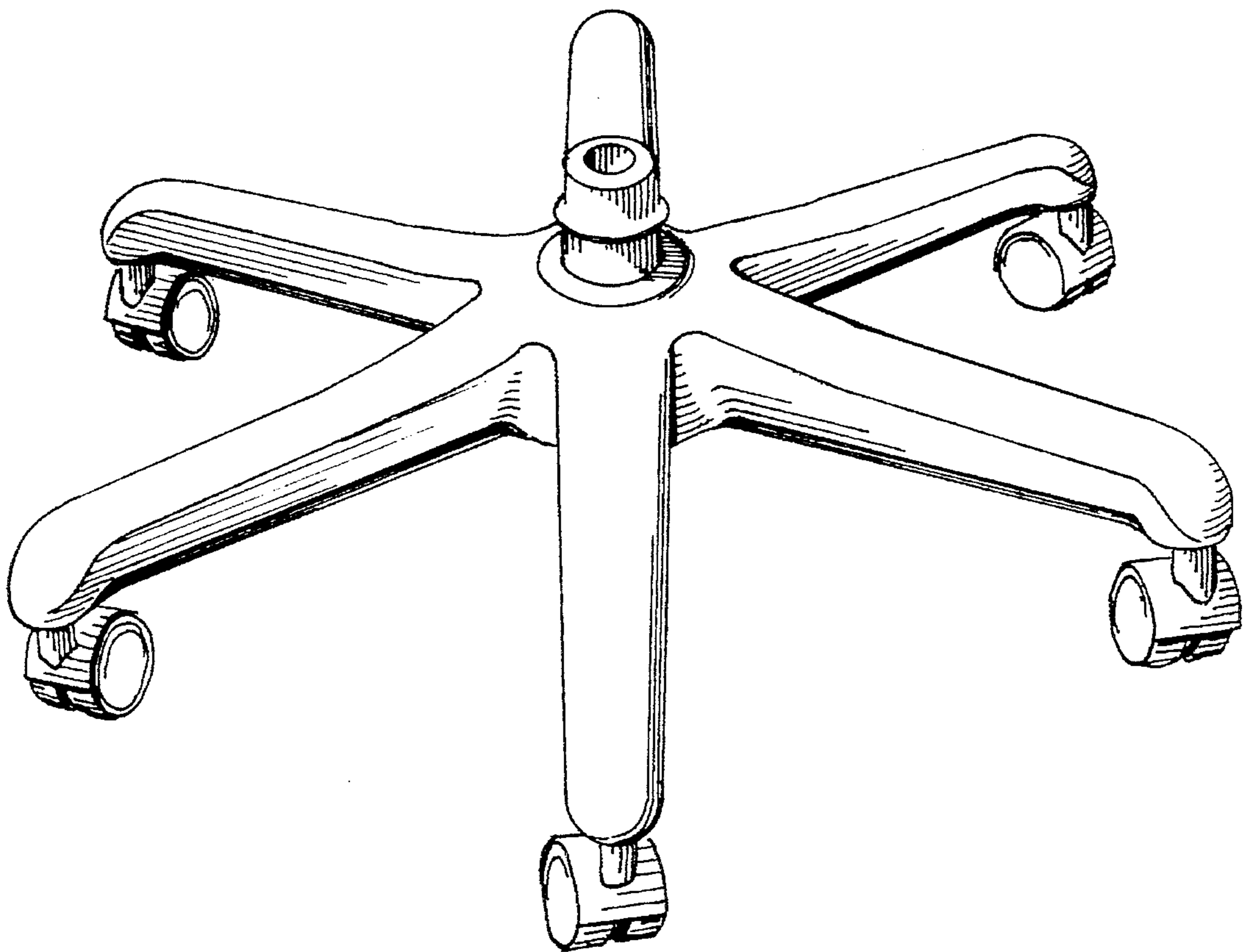


FIGURE 2

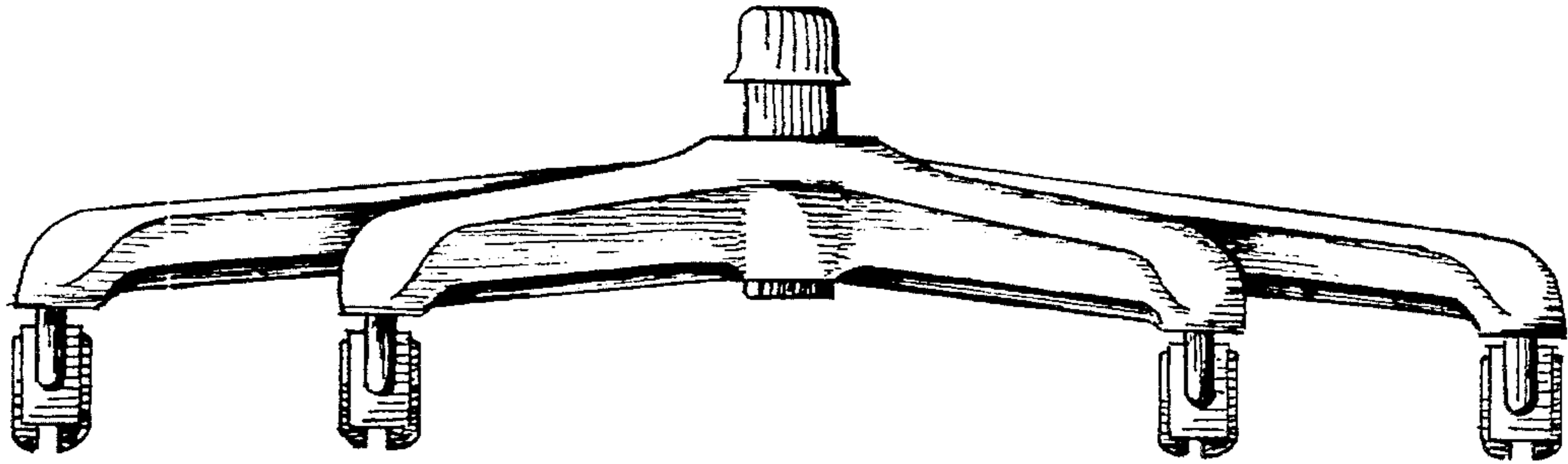


FIGURE 3

