



US00D363832S

United States Patent [19]
Germany

[11] **Patent Number:** **Des. 363,832**
[45] **Date of Patent:** ****Nov. 7, 1995**

[54] **DRESSER**

[76] Inventor: **Robert S. Germany**, 4155 S.
Braeswood #32, Houston, Tex. 77025

[**] Term: **14 Years**

[21] Appl. No.: **22,641**

[22] Filed: **May 10, 1994**

Related U.S. Application Data

[62] Division of Ser. No. 736,813, Jul. 29, 1991, Pat. No. Des. 347,531.

[52] **U.S. Cl.** **D6/434; D6/451**

[58] **Field of Search** **D6/432-448, 450, D6/451; 312/204**

[56] **References Cited**

U.S. PATENT DOCUMENTS

D. 141,374 5/1945 Miller D6/446

D. 147,945 11/1947 Ziegler D6/434
D. 168,377 12/1952 Rundell D6/446
D. 177,177 3/1956 Herrmann D6/446
D. 178,053 6/1956 Herrmann D6/446
D. 350,036 8/1994 Willemsen D6/434

OTHER PUBLICATIONS

Wards 1991; Night Stand top of page.
J. C. Penney May 5, 1992 p. 1010; Item #11 4-Drawer Storage chest, center of page.

Primary Examiner—Carmen H. Vales-Lado
Attorney, Agent, or Firm—Fish & Richardson

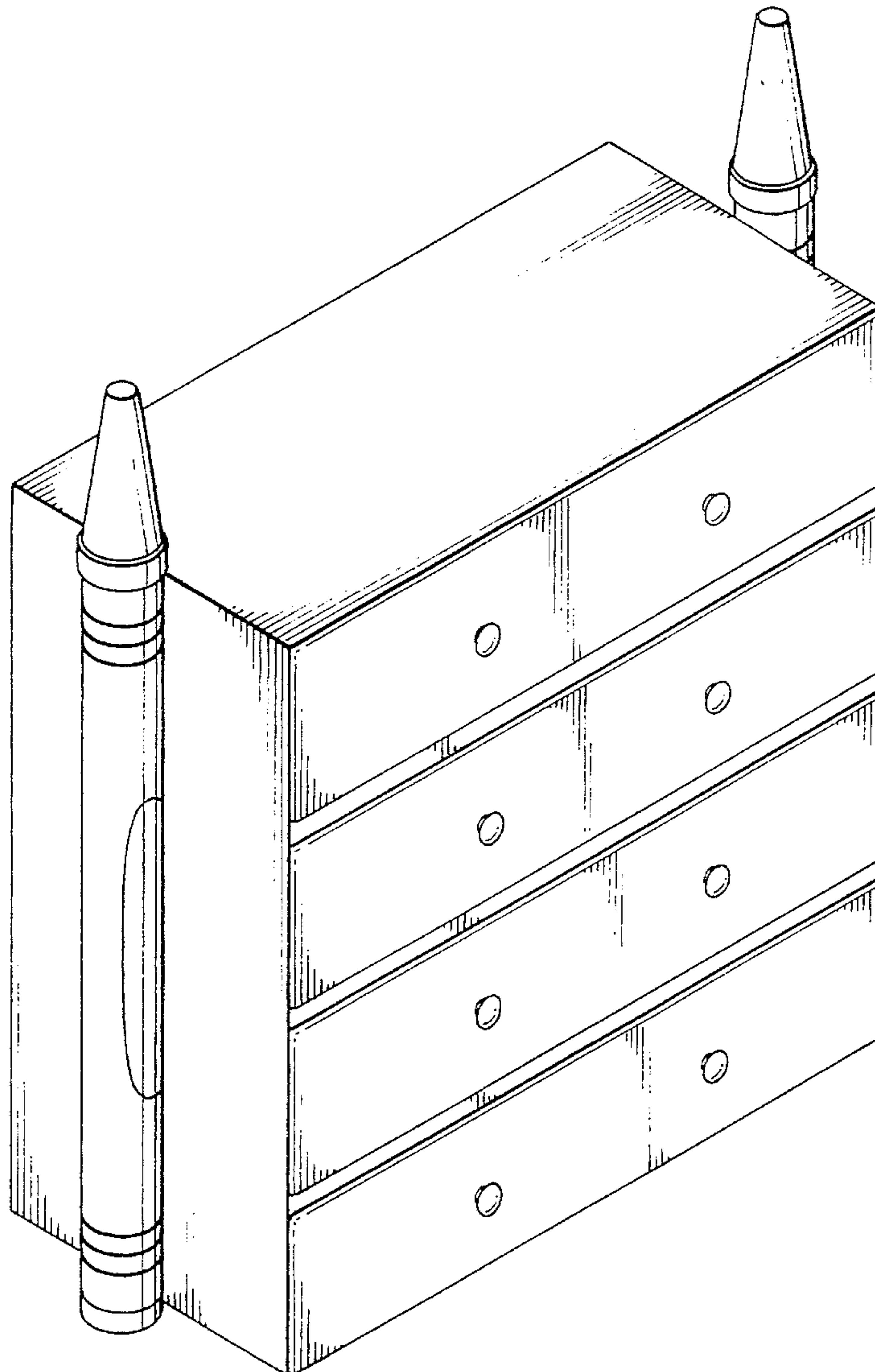
[57] **CLAIM**

The ornamental design for dresser, as shown and described.

DESCRIPTION

FIG. 1 is a front perspective view of a dresser showing my new design; and,
FIG. 2 is a rear perspective view thereof.

1 Claim, 2 Drawing Sheets



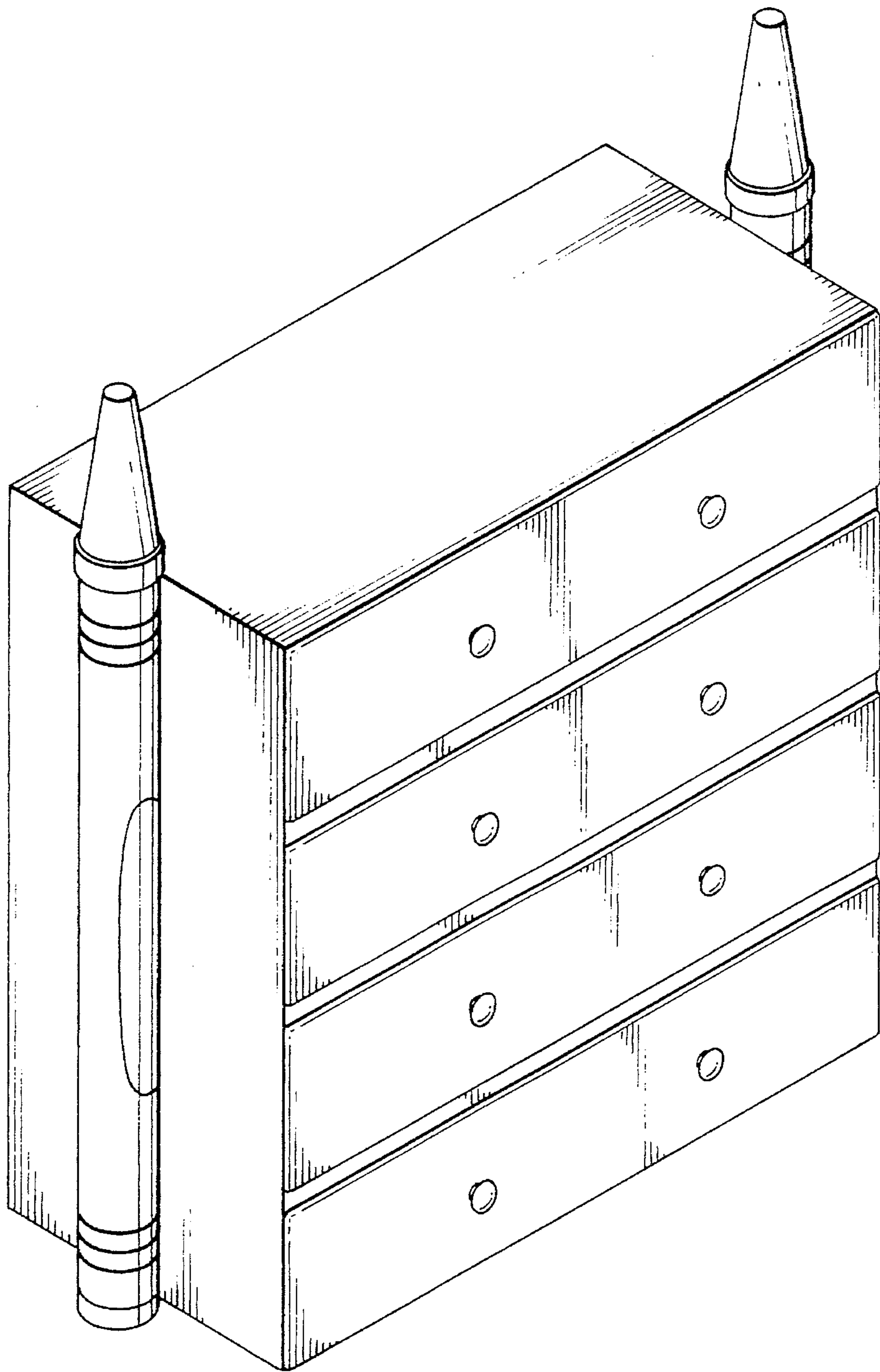


FIG. 1

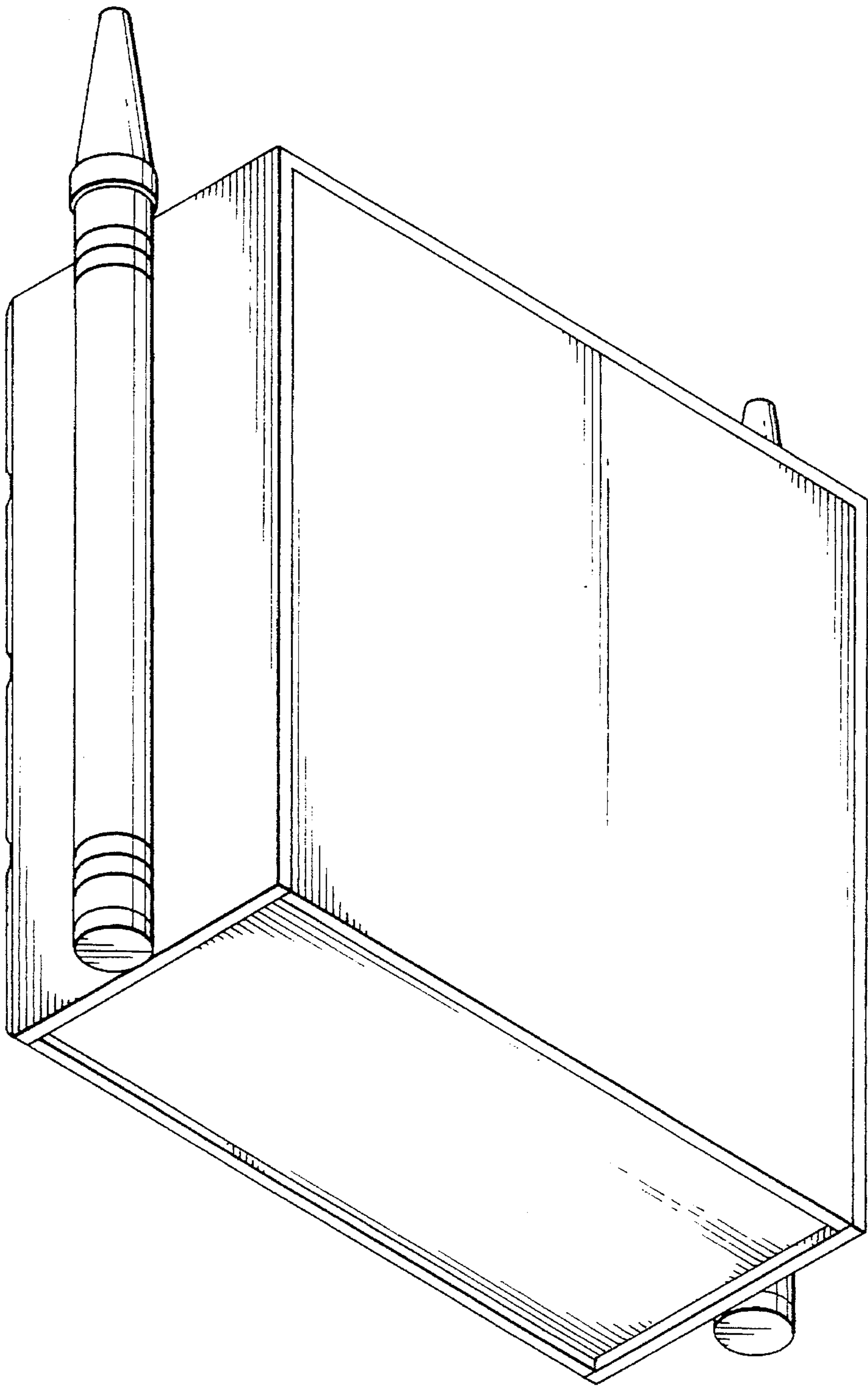


FIG. 2