



US00D363831S

United States Patent [19]
Mueller

[11] **Patent Number:** **Des. 363,831**
[45] **Date of Patent:** ****Nov. 7, 1995**

[54] **PANTS STRETCHER**

[76] Inventor: **John W. Mueller**, 505 North St.,
Plymouth, Wis. 53073

[**] Term: **14 Years**

[21] Appl. No.: **16,963**

[22] Filed: **Dec. 30, 1993**

[52] U.S. Cl. **D6/411; D6/429; D8/51;**
D8/387

[58] **Field of Search** D6/396, 449, 462,
D6/521, 550, 491, 553, 317, 429, 324,
430, 328, 431, 460, 411; D8/387, 397,
51; 211/13, 183; 223/61, 63; D2/999

[56] **References Cited**

U.S. PATENT DOCUMENTS

D. 252,600	8/1979	Gibson	D6/460
D. 336,388	6/1993	Reid	D6/429 X
3,482,744	12/1969	Schlemon .	
4,364,495	12/1982	Walker .	
4,529,109	7/1985	Manning	223/61 X

4,593,839	6/1986	Vandoros .	
4,729,498	3/1988	Blanchard .	
4,746,040	5/1988	Hazenfeld .	
5,094,369	3/1992	Thompson	223/61 X
5,263,617	11/1993	Martin	223/61 X

FOREIGN PATENT DOCUMENTS

2259644	3/1993	United Kingdom	223/61 X
---------	--------	----------------------	----------

Primary Examiner—Jeffrey Asch

[57] **CLAIM**

The ornamental design for the pants stretcher, as shown and described.

DESCRIPTION

FIG. 1 is a front elevational view of the pants stretcher showing my new design;
FIG. 2 is a rear elevational view thereof;
FIG. 3 is a left side elevational view thereof;
FIG. 4 is a right side elevational view thereof;
FIG. 5 is a top plan view thereof; and,
FIG. 6 is a bottom plan view thereof.

1 Claim, 3 Drawing Sheets

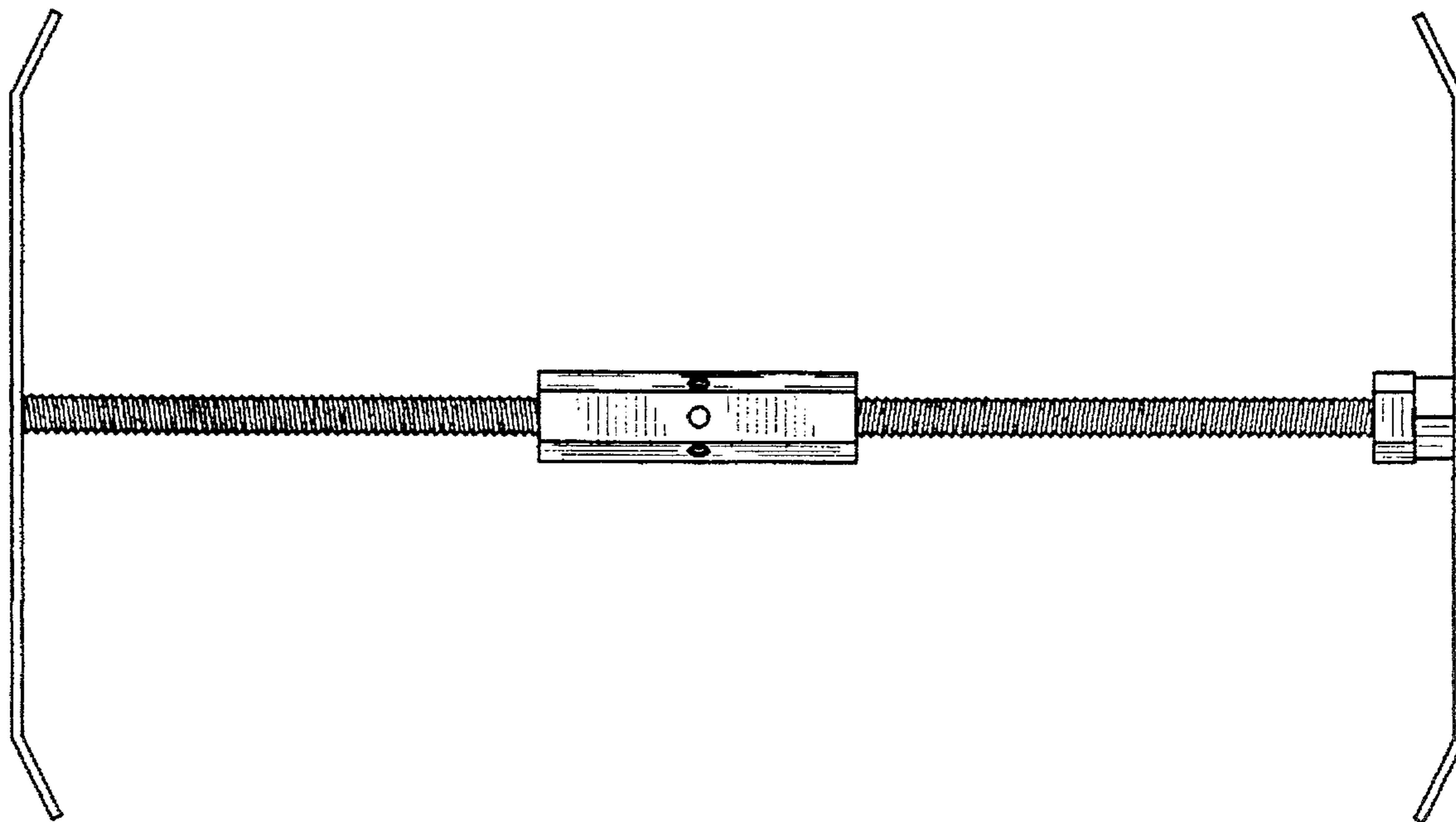


FIG. 1



FIG. 2



FIG. 3



FIG. 4

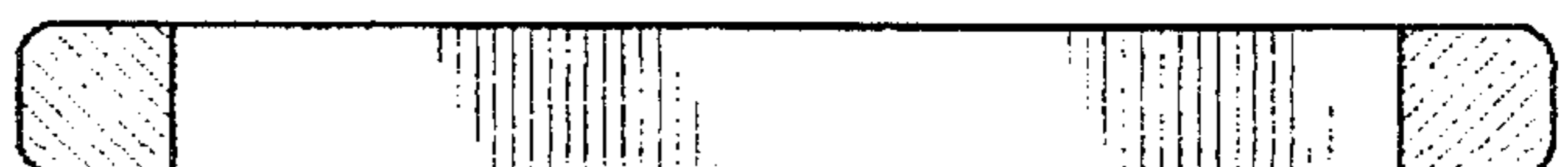


FIG. 5

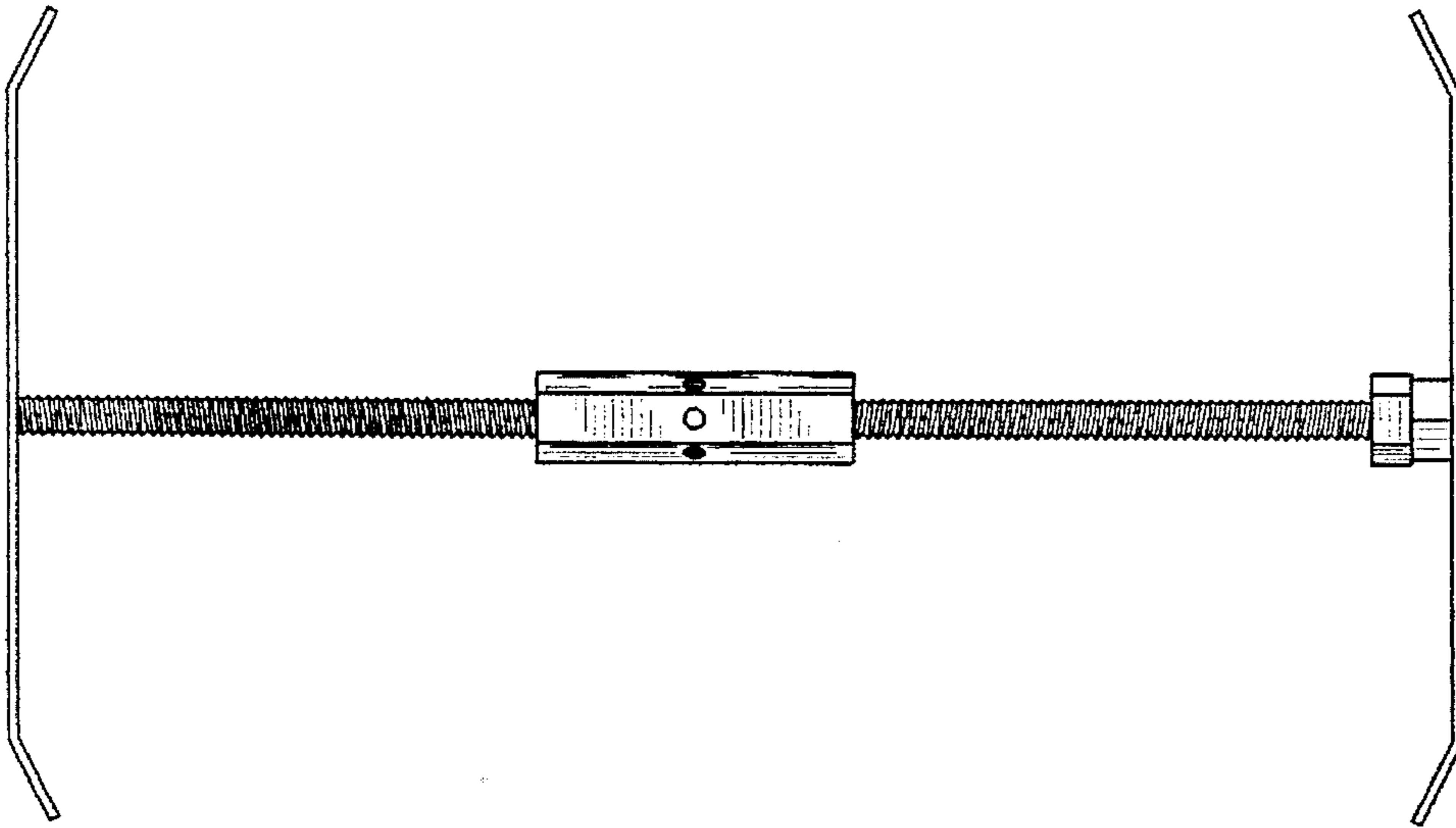


FIG. 6

