



US00D363829S

United States Patent [19]
Berlic

[11] **Patent Number:** **Des. 363,829**
[45] **Date of Patent:** ****Nov. 7, 1995**

[54] **CHAIR**

[76] Inventor: **France Berlic**, 1165 N. Ocean Dr.,
Suite G, Riv. Beach, Fla. 33404

[**] Term: **14 Years**

[21] Appl. No.: **27,706**

[22] Filed: **Aug. 29, 1994**

[30] **Foreign Application Priority Data**

Jun. 7, 1994 [SI] Slovenia M-9450083

[52] **U.S. Cl.** **D6/380; D6/374**

[58] **Field of Search** D6/334, 363, 370,
D6/374, 380, 500, 501, 502; 297/445, 446

[56] **References Cited**

U.S. PATENT DOCUMENTS

| | | | |
|------------|---------|-----------------------|--------|
| D. 73,275 | 8/1927 | Adler | D6/363 |
| D. 112,749 | 12/1938 | Bandrimer et al. | D6/380 |
| D. 156,448 | 12/1949 | Marbreit | D6/334 |
| D. 328,396 | 8/1992 | Murry | D6/380 |

OTHER PUBLICATIONS

Identikit Chair Book by Abitare, May 1985, pp.46-47,
Dafne Chair by Rinaldi shown on p. 47.

Primary Examiner—Alan P. Douglas
Assistant Examiner—Gary D. Watson
Attorney, Agent, or Firm—Pollock, Vande Sande & Priddy

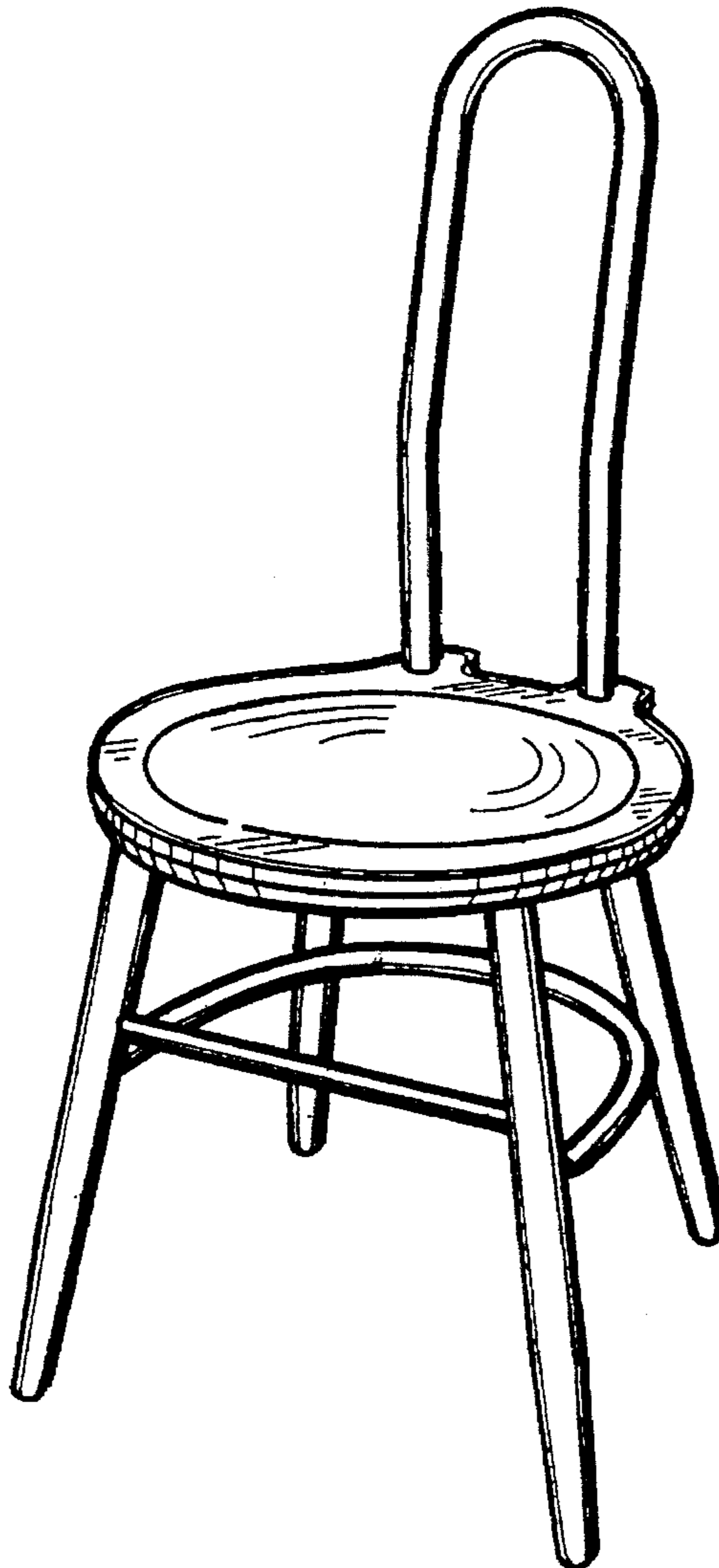
[57] **CLAIM**

The ornamental design for a chair, as shown and described.

DESCRIPTION

FIG. 1 is a perspective view of a chair showing my new design;
FIG. 2 is a left side view thereof, the right side view corresponding thereto;
FIG. 3 is a front view thereof;
FIG. 4 is a rear side view thereof;
FIG. 5 is a top view thereof; and,
FIG. 6 is a bottom view thereof.

1 Claim, 4 Drawing Sheets



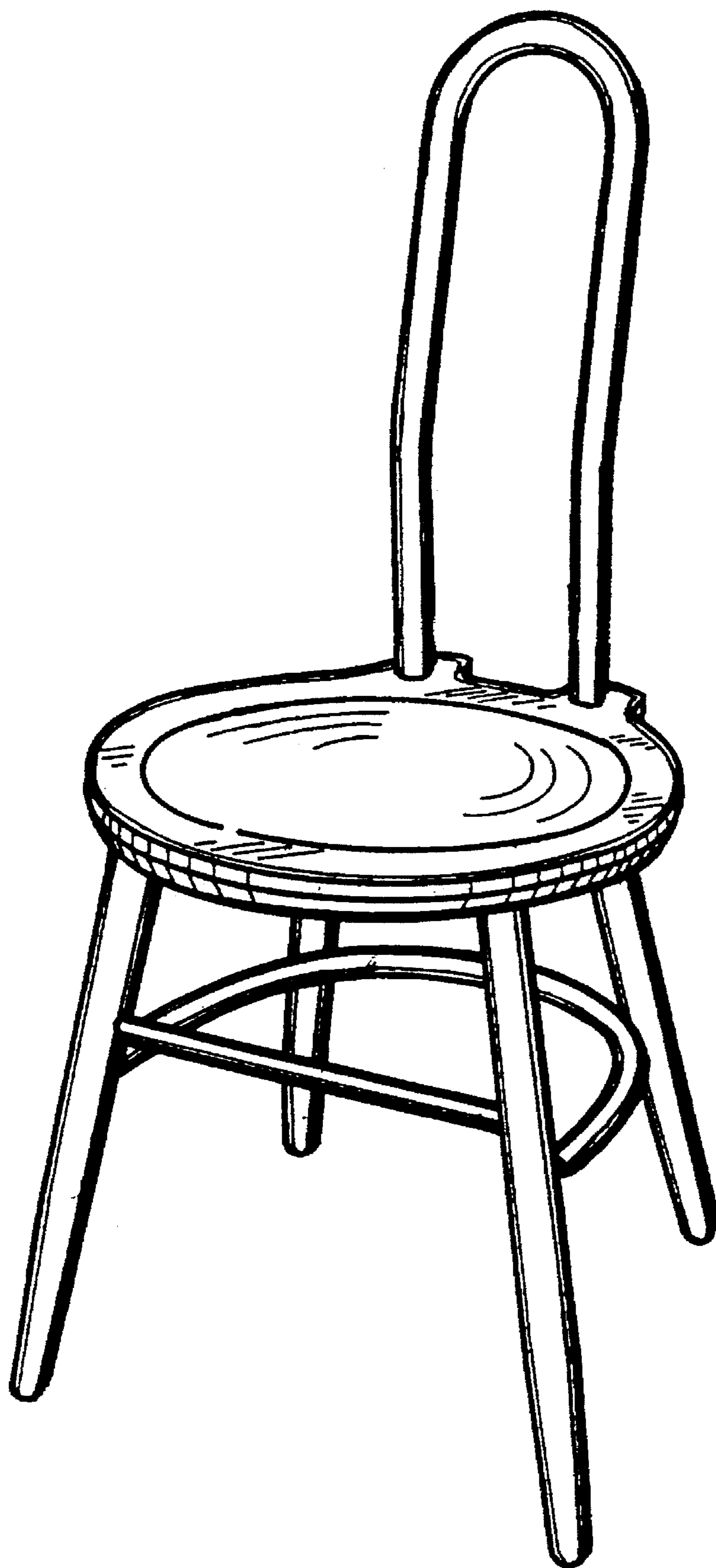


Fig. 1

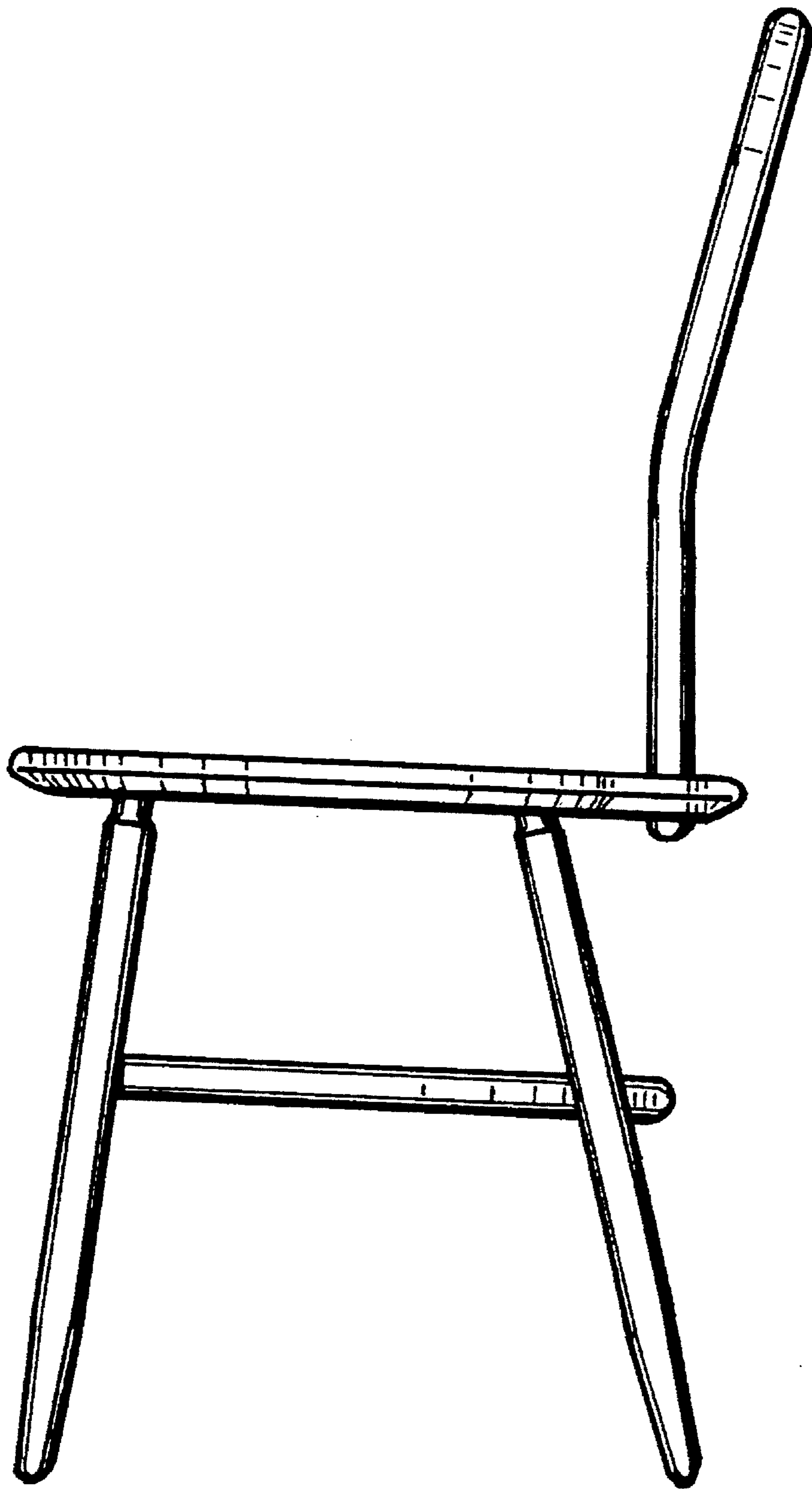


Fig. 2

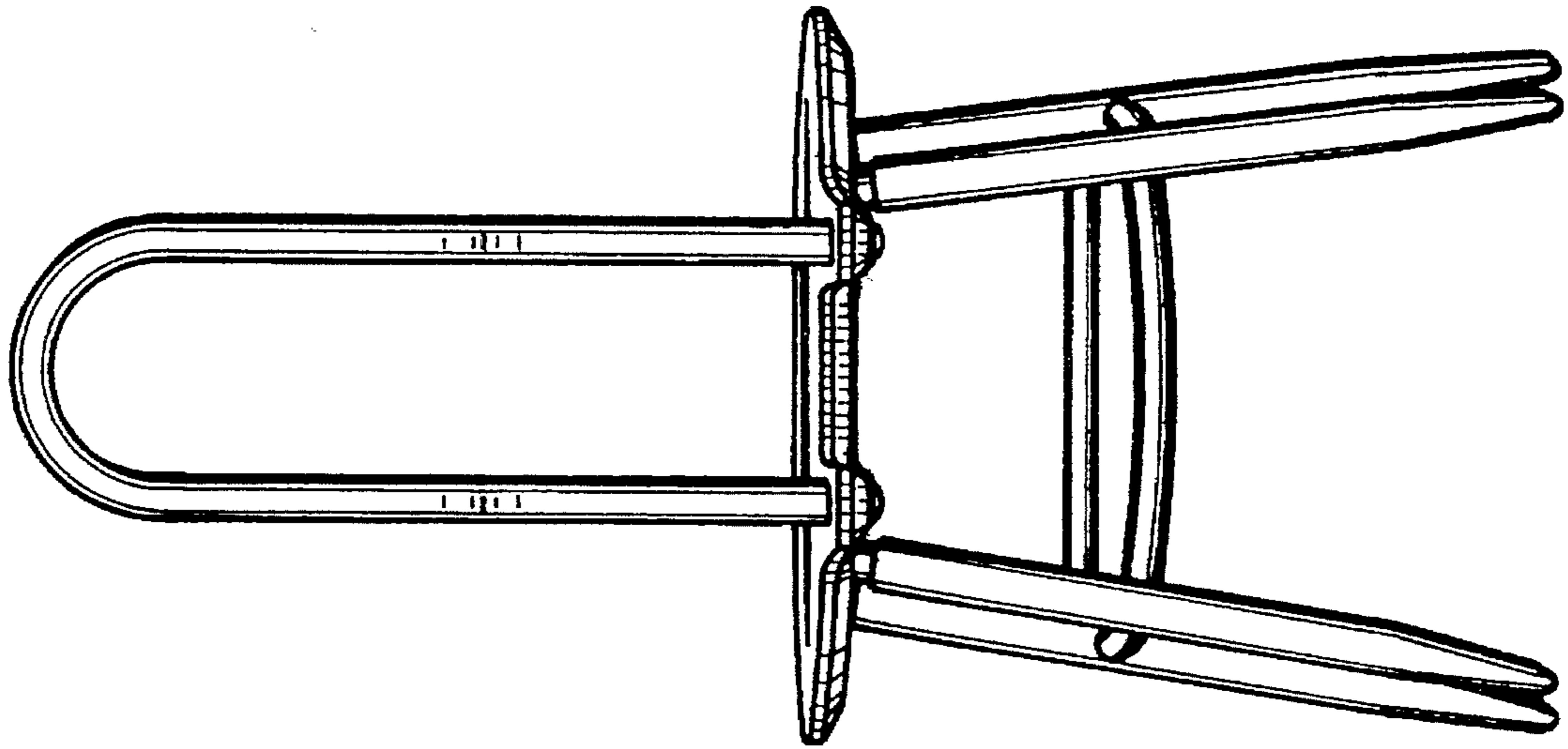


Fig. 4

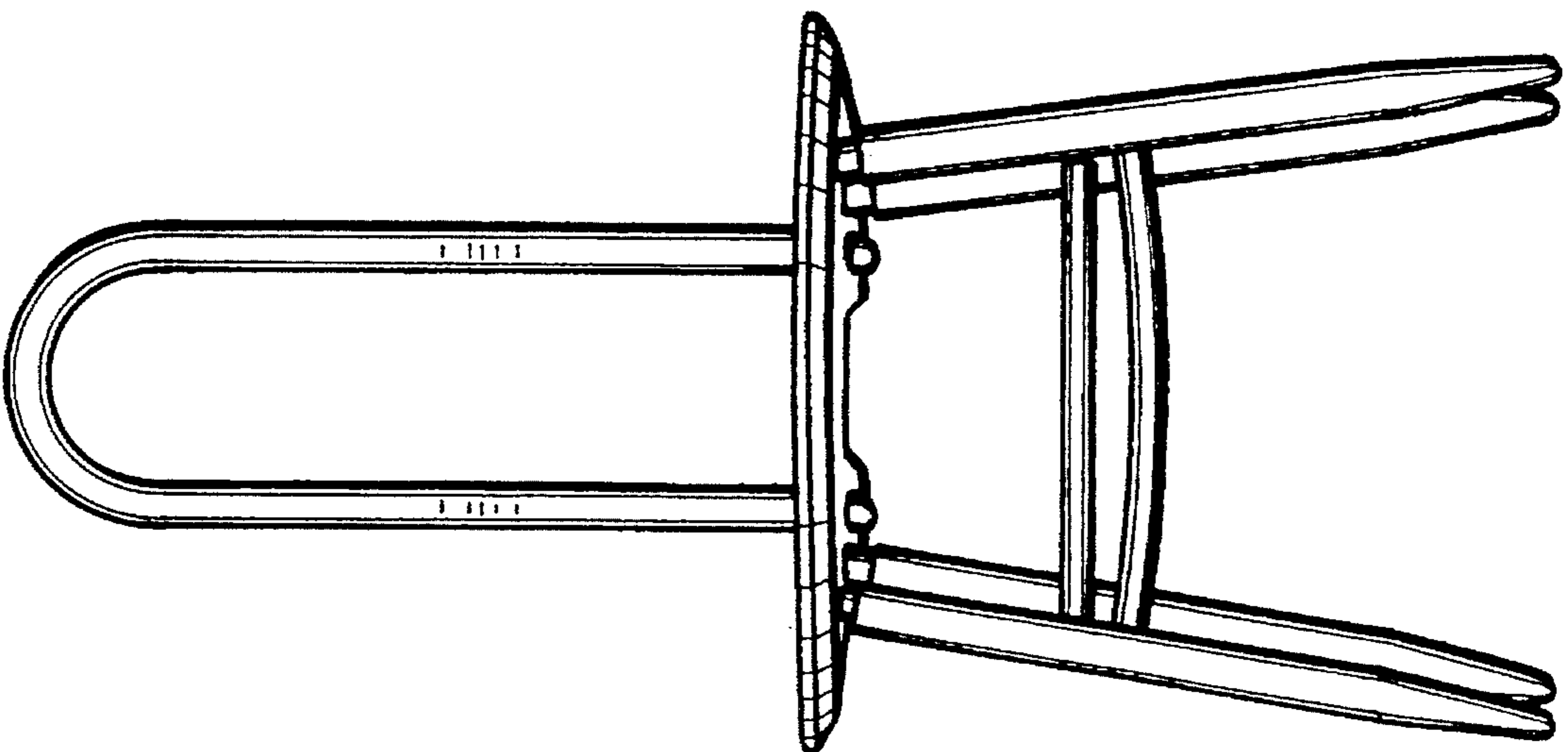


Fig. 3

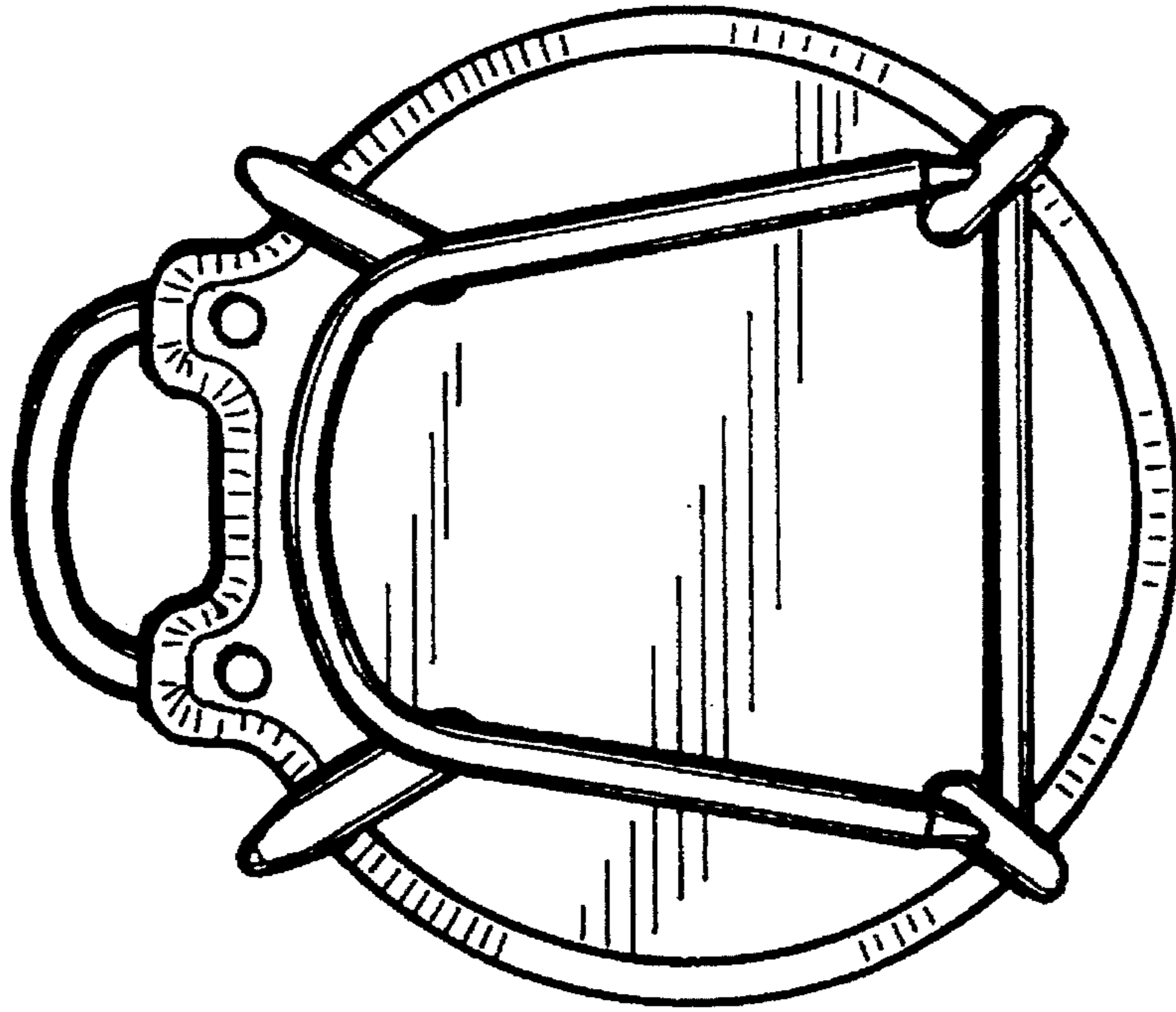


Fig. 6

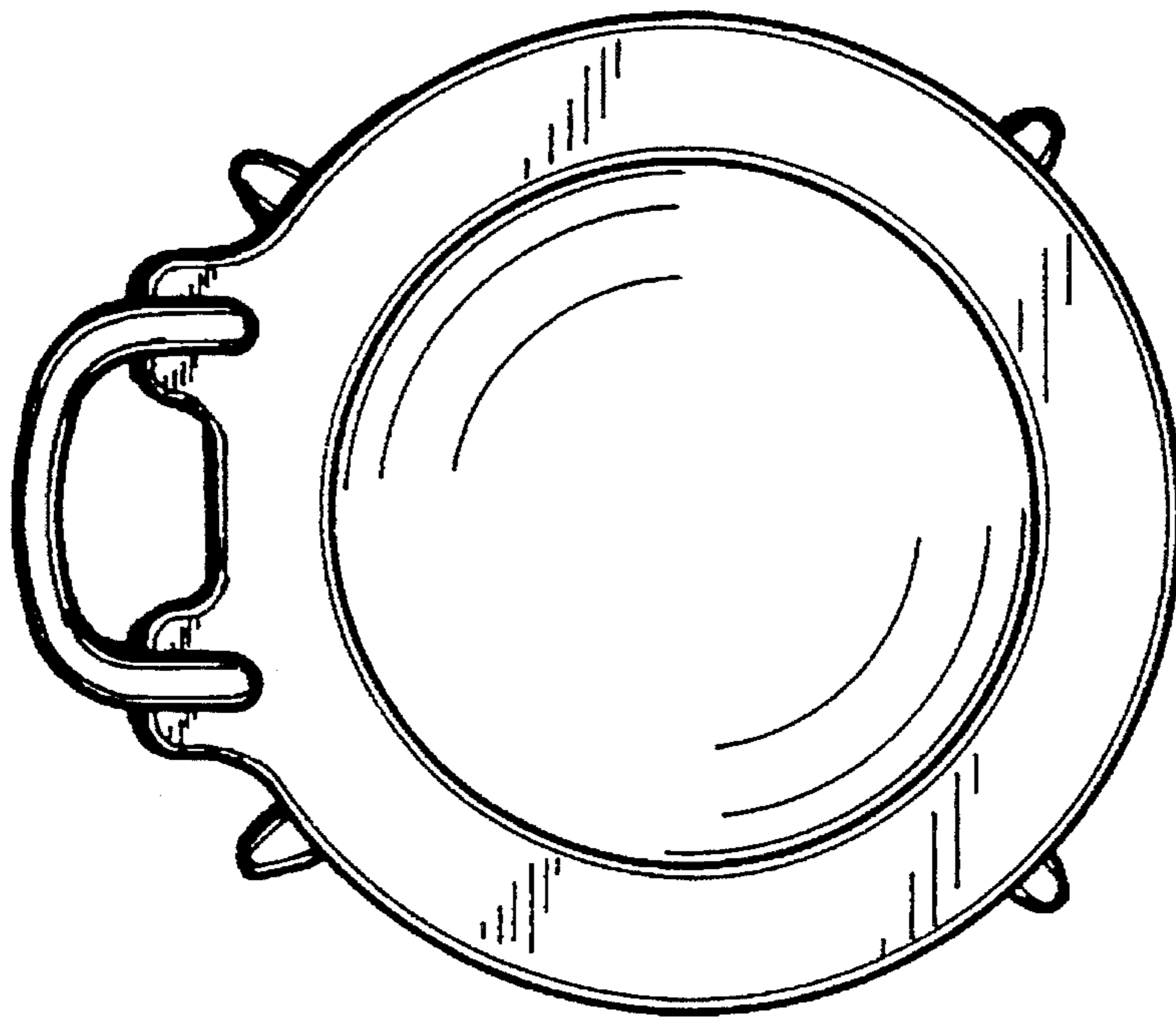


Fig. 5