



US00D363827S

United States Patent [19]

Noell

[11] Patent Number: **Des. 363,827**

[45] Date of Patent: ****Nov. 7, 1995**

[54] **CHAIR**

D. 343,964 2/1994 Gibbs D6/374
D. 350,445 9/1994 Chororos et al. D6/379

[76] Inventor: **Eunice Noell**, 6205 SW. Hood Ave.,
Portland, Oreg. 97201

OTHER PUBLICATIONS

[**] Term: **14 Years**

Kaleidoscope, ©1976, p. 8, Chair center right.

[21] Appl. No.: **30,180**

Primary Examiner—Alan P. Douglas

[22] Filed: **Oct. 24, 1994**

Assistant Examiner—Gary D. Watson

[52] U.S. Cl. **D6/373; D6/379; D6/380**

Attorney, Agent, or Firm—Chernoff, Vilhauer, et al.

[58] **Field of Search** D6/334, 370, 371,
D6/373, 374, 375, 379, 380, 500, 501,
502; 297/441.43, 446

[57] CLAIM

The ornamental design for a chair, as shown.

[56] References Cited

DESCRIPTION

U.S. PATENT DOCUMENTS

D. 190,645	6/1961	Sundberg et al.	D6/379
D. 224,652	8/1972	Zellick et al.	D6/379
D. 309,223	7/1990	Lübke	D6/373
D. 323,250	1/1992	Leib	D6/373
D. 336,171	6/1993	Laird	D6/373
D. 343,070	1/1994	Rasmussen	D6/375

FIG. 1 is a front elevation view of a chair showing my new design;

FIG. 2 is a left side elevation view thereof;

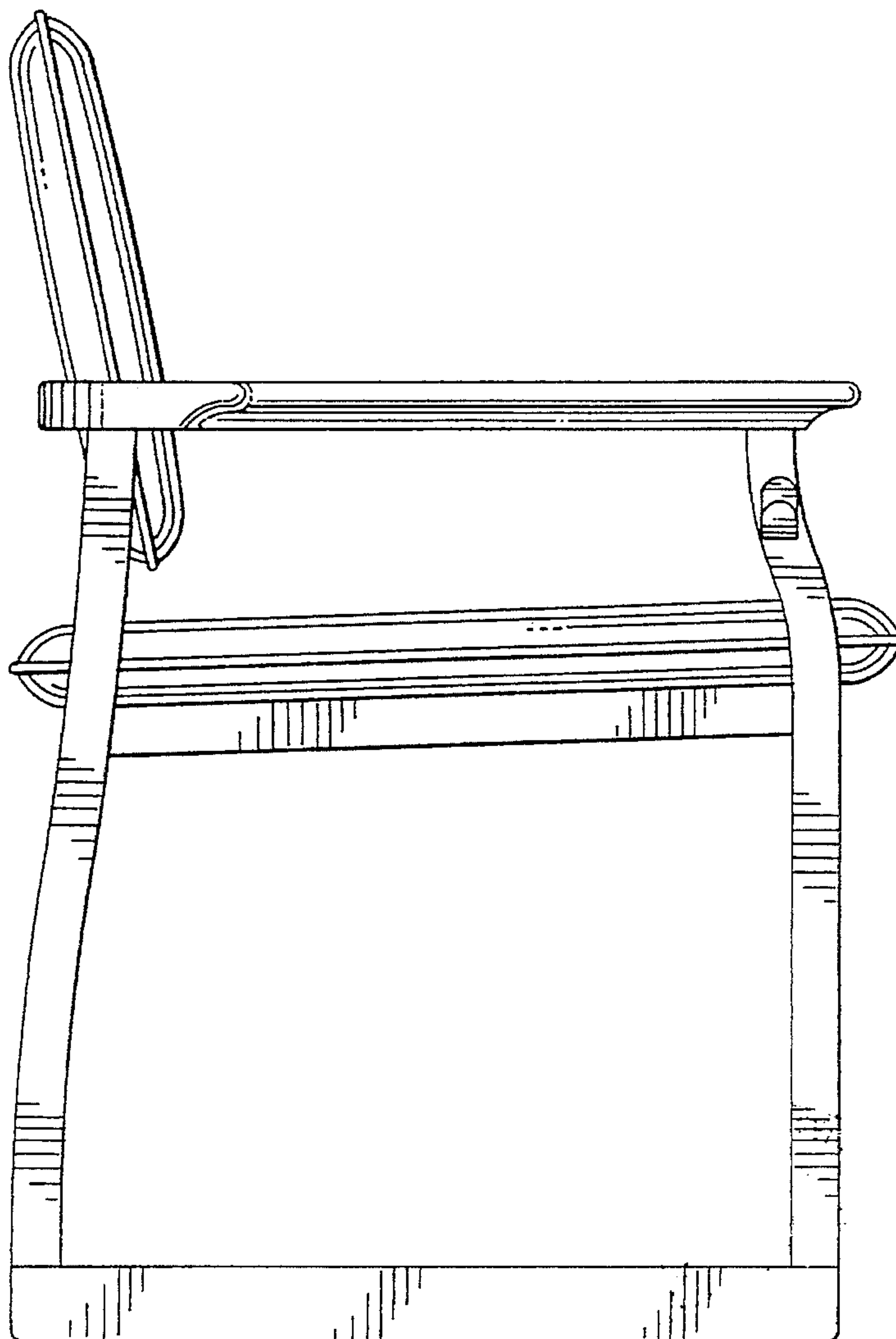
FIG. 3 is a rear elevation view thereof;

FIG. 4 is a right side elevation view thereof;

FIG. 5 is a top plan view thereof; and,

FIG. 6 is a bottom plan view thereof.

1 Claim, 3 Drawing Sheets



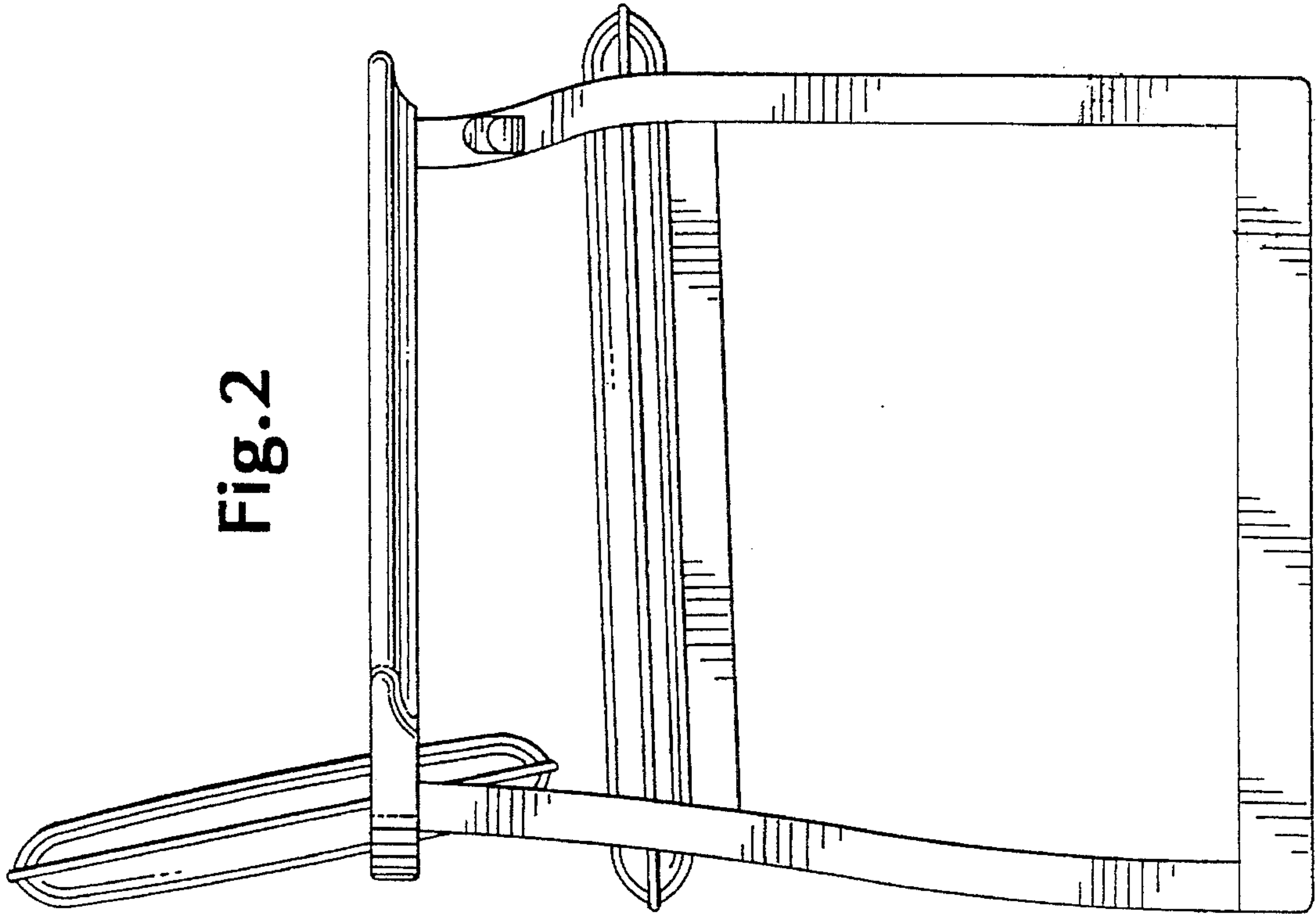


Fig. 2

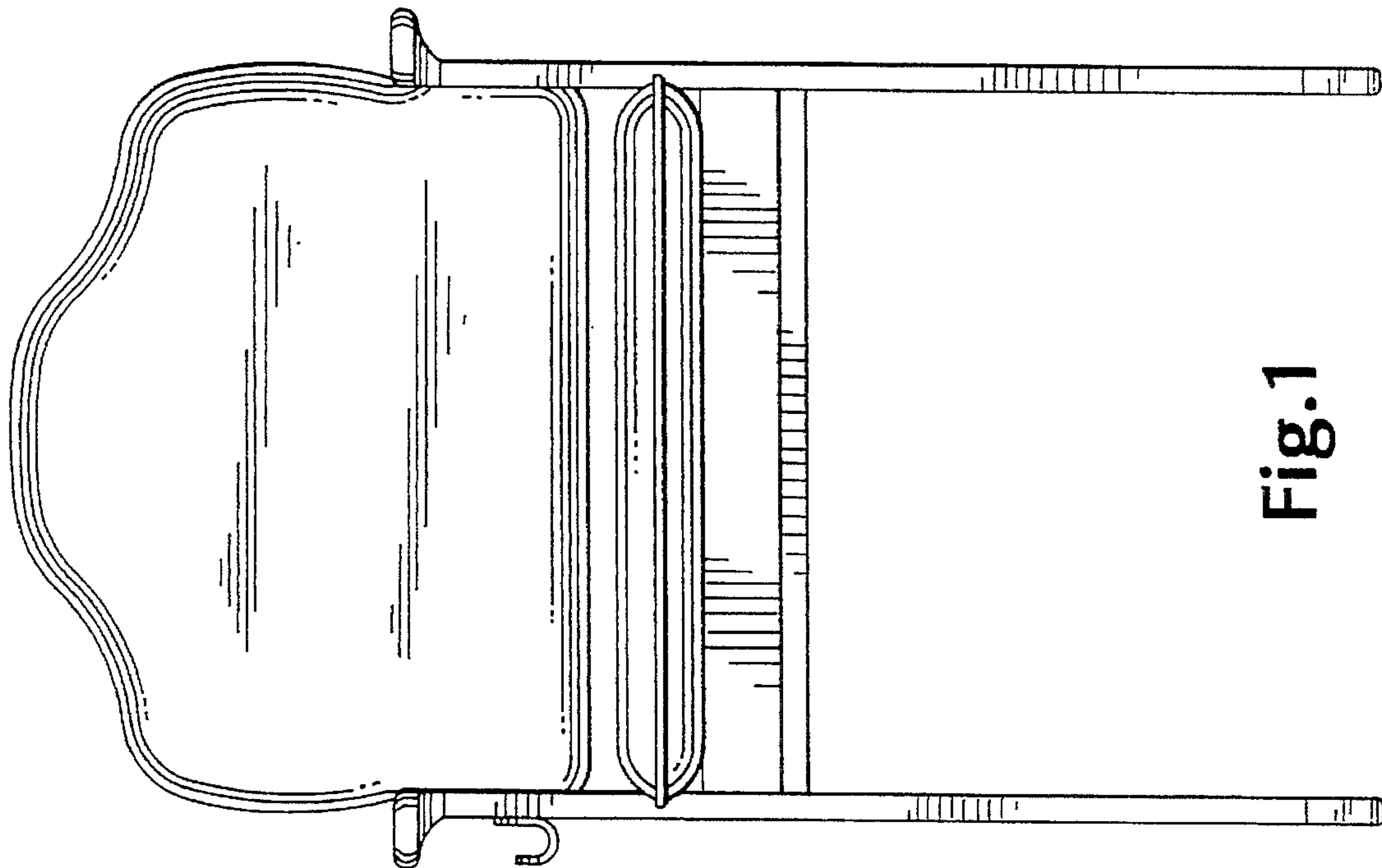


Fig. 1

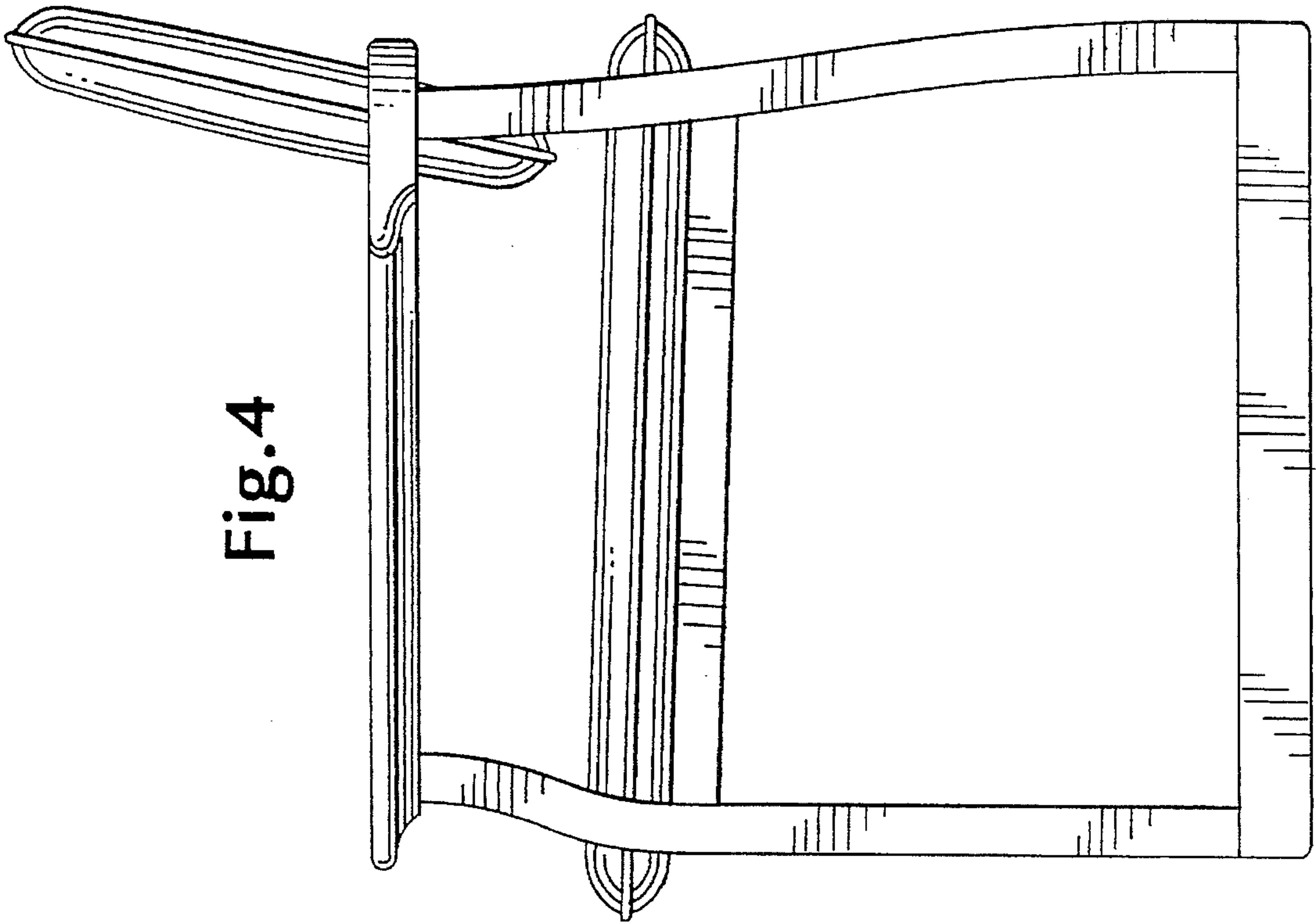


Fig. 4

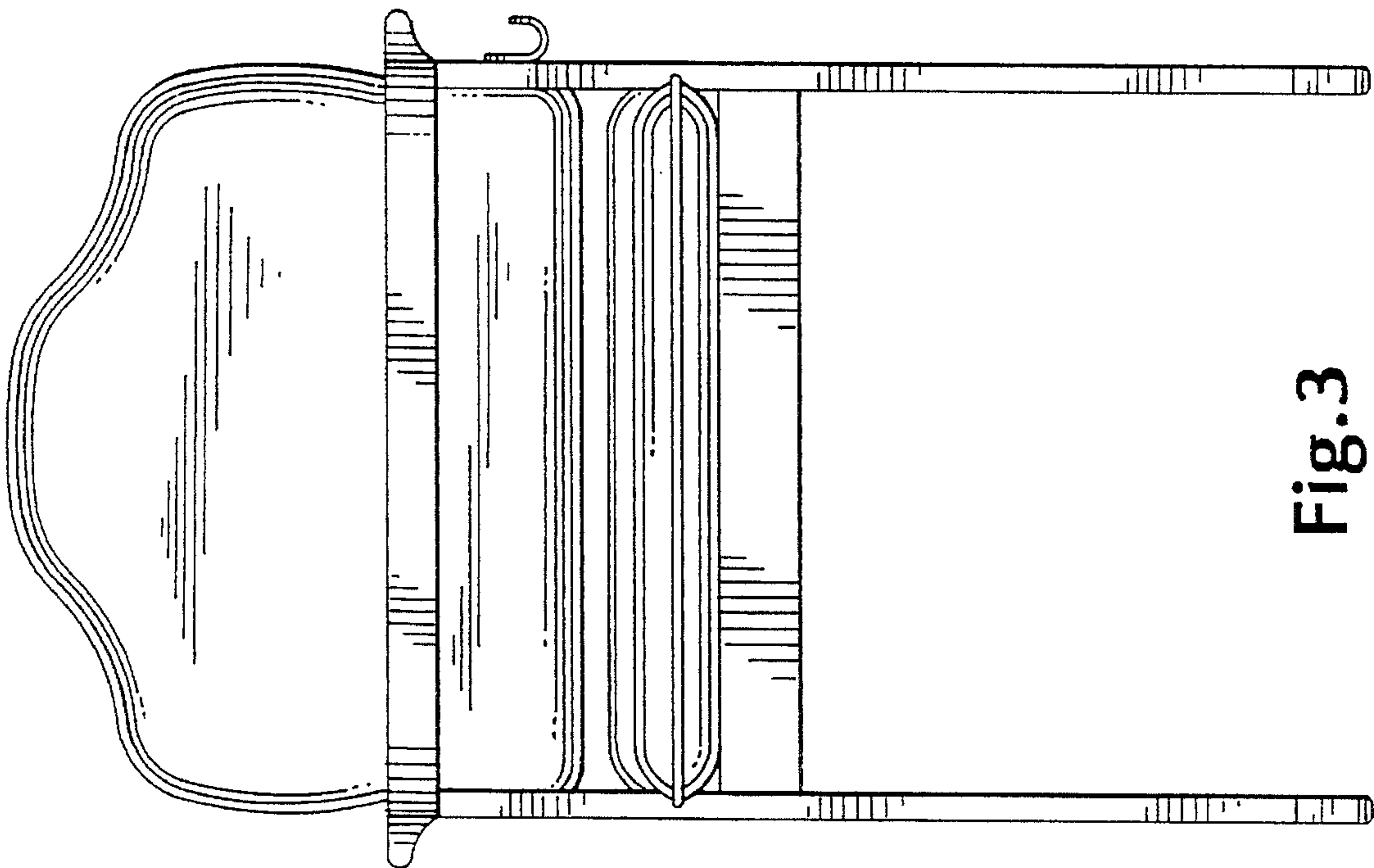


Fig. 3

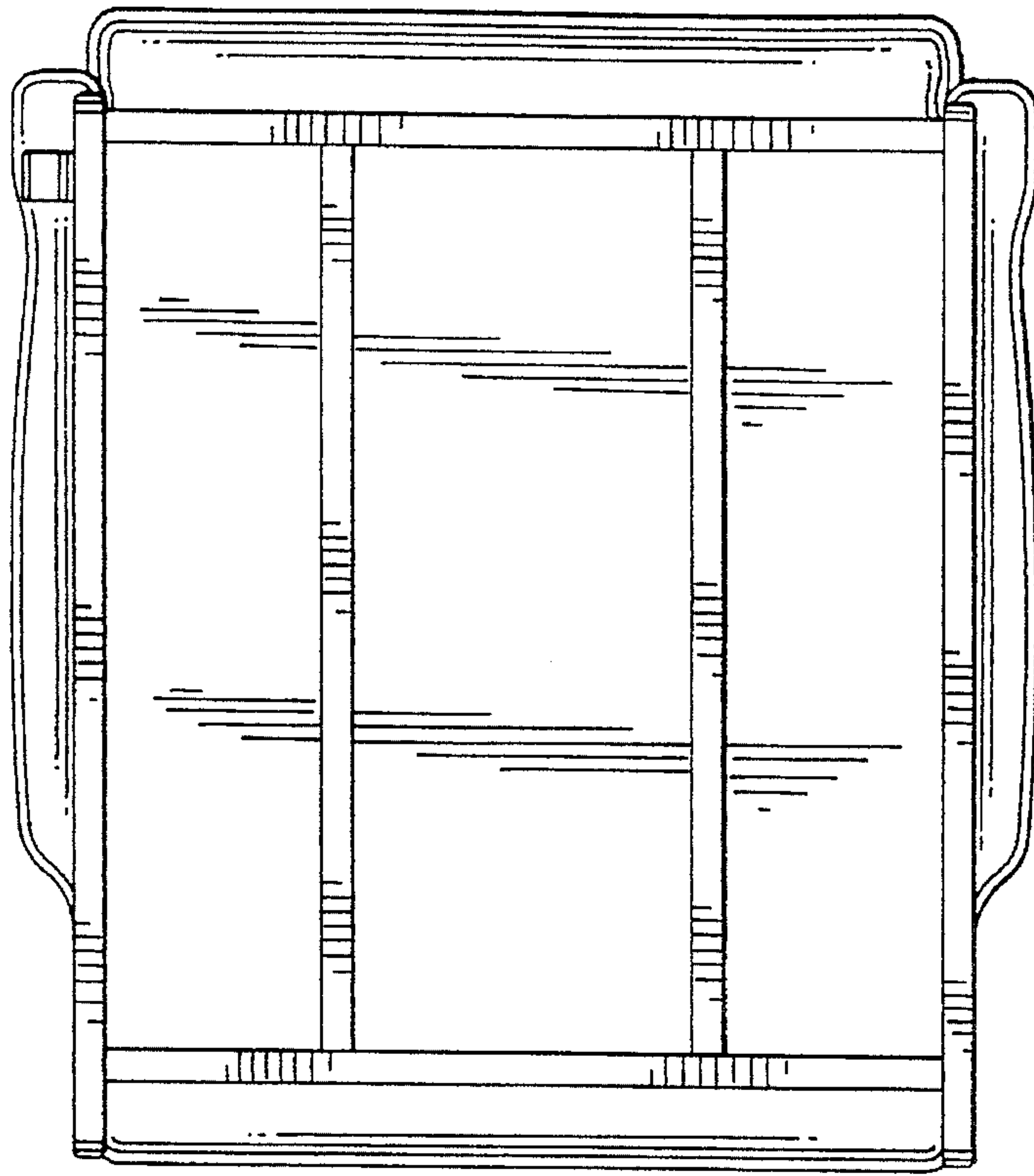


Fig. 6

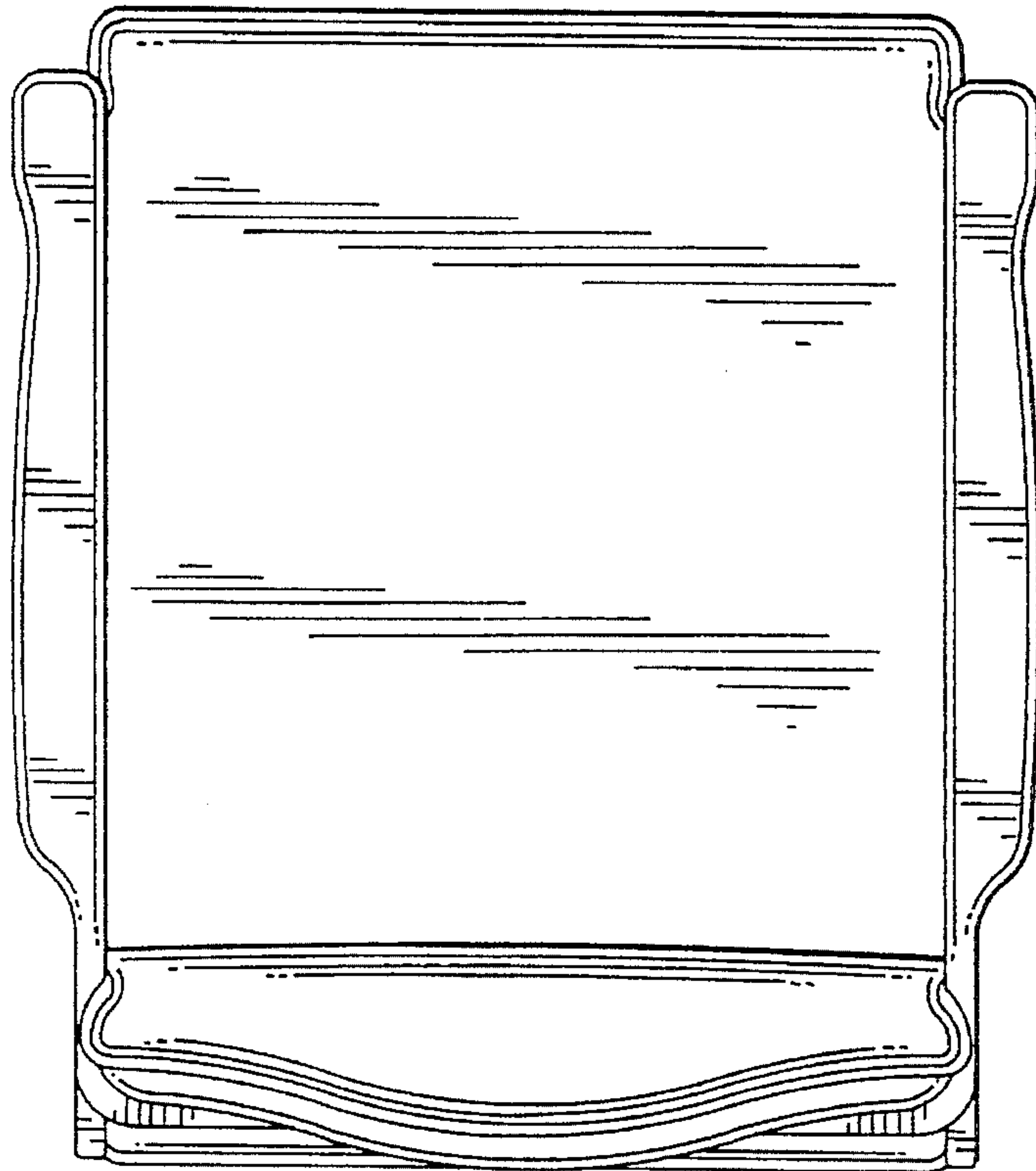


Fig. 5