



US00D363824S

# United States Patent [19]

Lyons

[11] Patent Number: **Des. 363,824**

[45] Date of Patent: **\*\*Nov. 7, 1995**

[54] OTTOMAN

[75] Inventor: **Norbert Lyons**, Winthrop, Mass.

[73] Assignee: **Syroco, Inc.**, East Boston, Mass.

[\*\*] Term: **14 Years**

[21] Appl. No.: **11,837**

[22] Filed: **Aug. 16, 1993**

[52] U.S. Cl. .... **D6/349**; D6/484

[58] Field of Search ..... D6/349, 350, 352,  
D6/353, 480-489, 495-499; 108/153-155,  
161; 297/461, 462

[56] **References Cited**

**U.S. PATENT DOCUMENTS**

D. 256,532	8/1980	Aulenti .....	D6/484
D. 278,864	5/1985	Borichevsky .....	D6/349
D. 287,316	12/1986	Vanderminden .....	D6/349
D. 312,736	12/1990	Grosfillex .....	D6/484 X

**OTHER PUBLICATIONS**

Evans—p. 6, #1802-0172 Table/Ottoman topright.  
Carsons—08325 Table top left.

*Primary Examiner*—Janice E. Seeger  
*Attorney, Agent, or Firm*—Willian Brinks Hofer; Hugh A. Abrams

[57] **CLAIM**

The ornamental design for ottoman, as shown and described.

**DESCRIPTION**

FIG. 1 is a perspective view, showing the ottoman of my new design;  
FIG. 2 is a right side view thereof, the left side being the mirror image thereof;  
FIG. 3 is a front view thereof, the rear being the mirror image thereof;  
FIG. 4 is a top view thereof; and,  
FIG. 5 is a bottom view thereof.

**1 Claim, 3 Drawing Sheets**

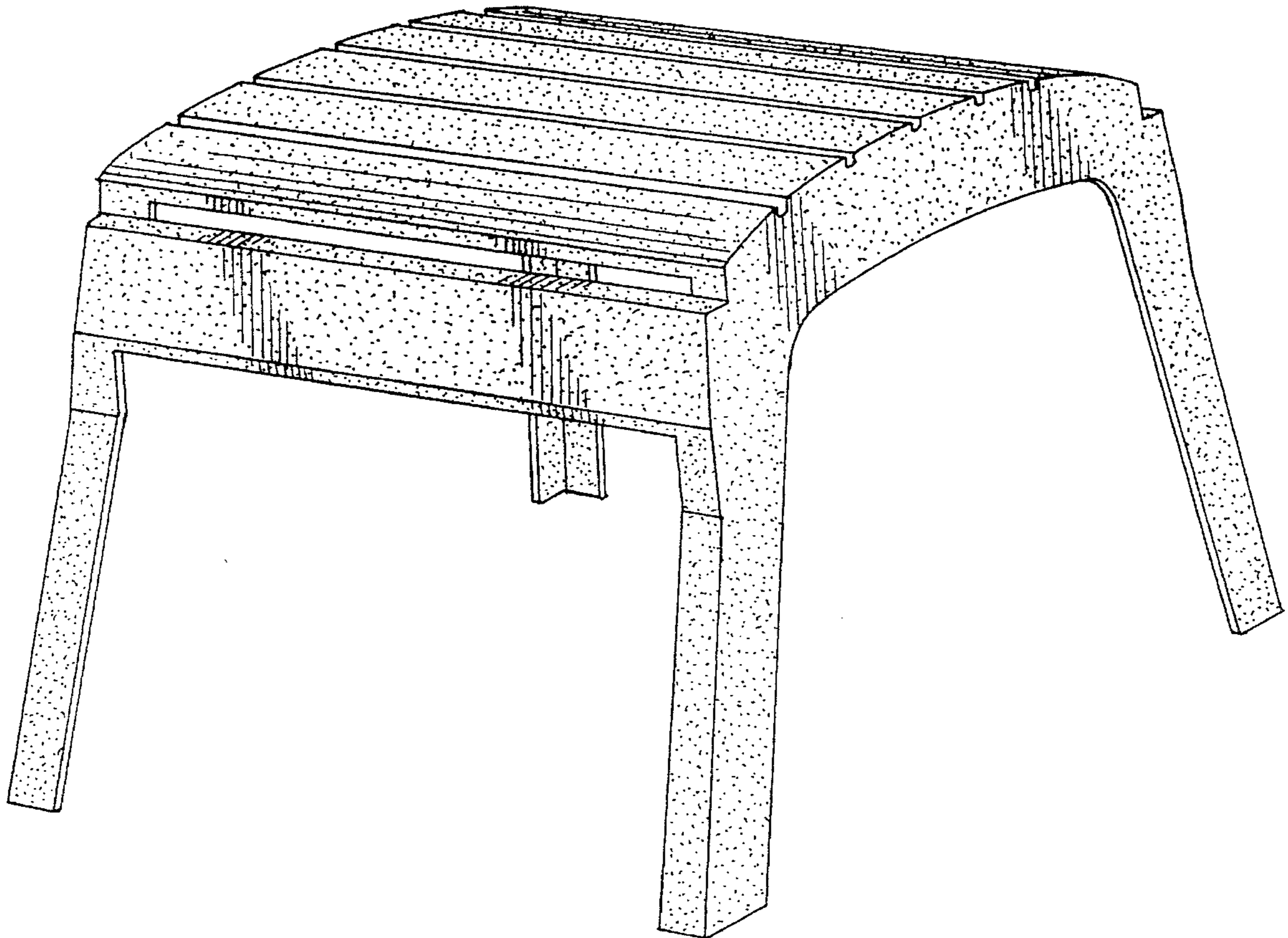


FIG. 1

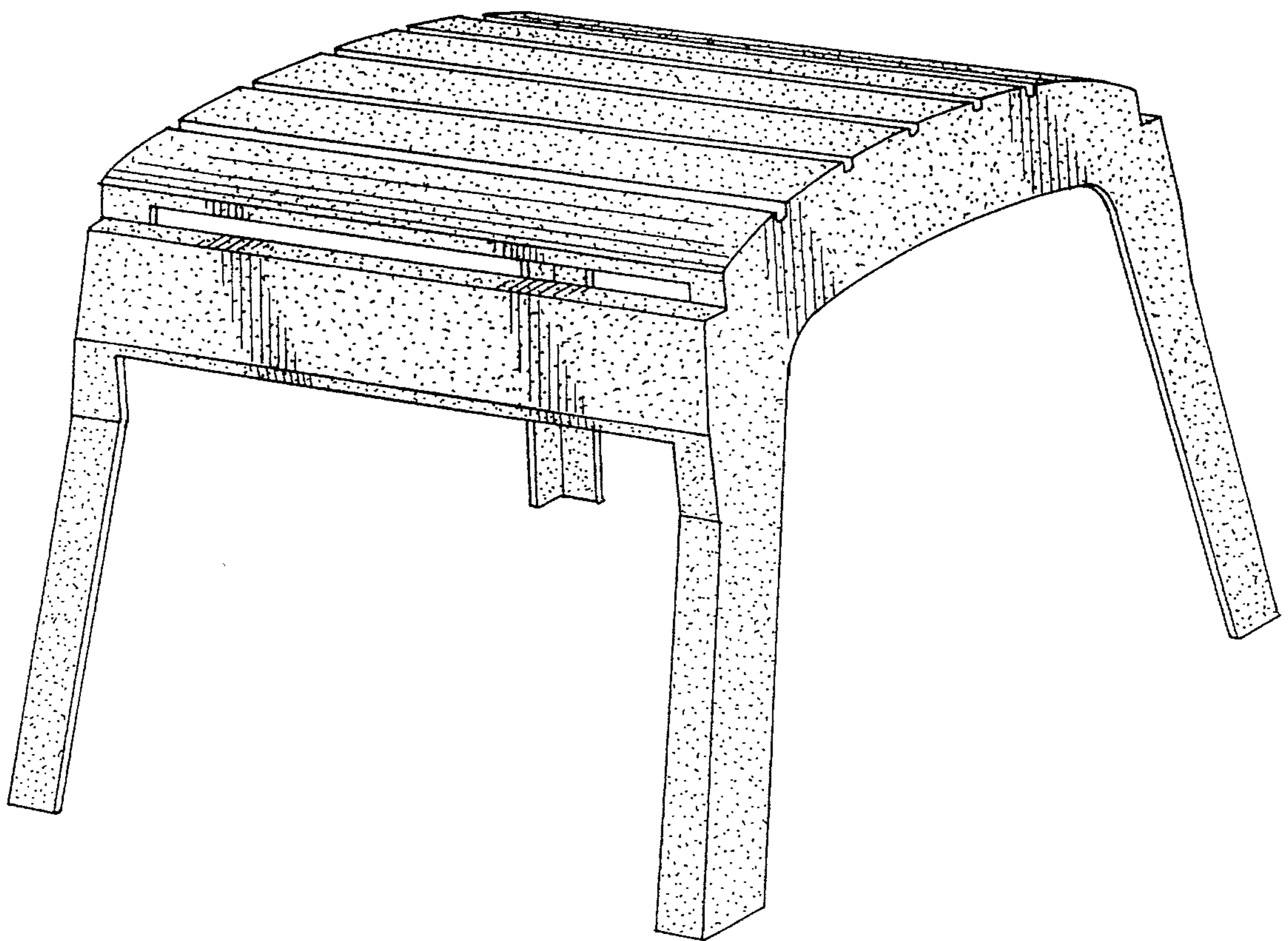


FIG. 2

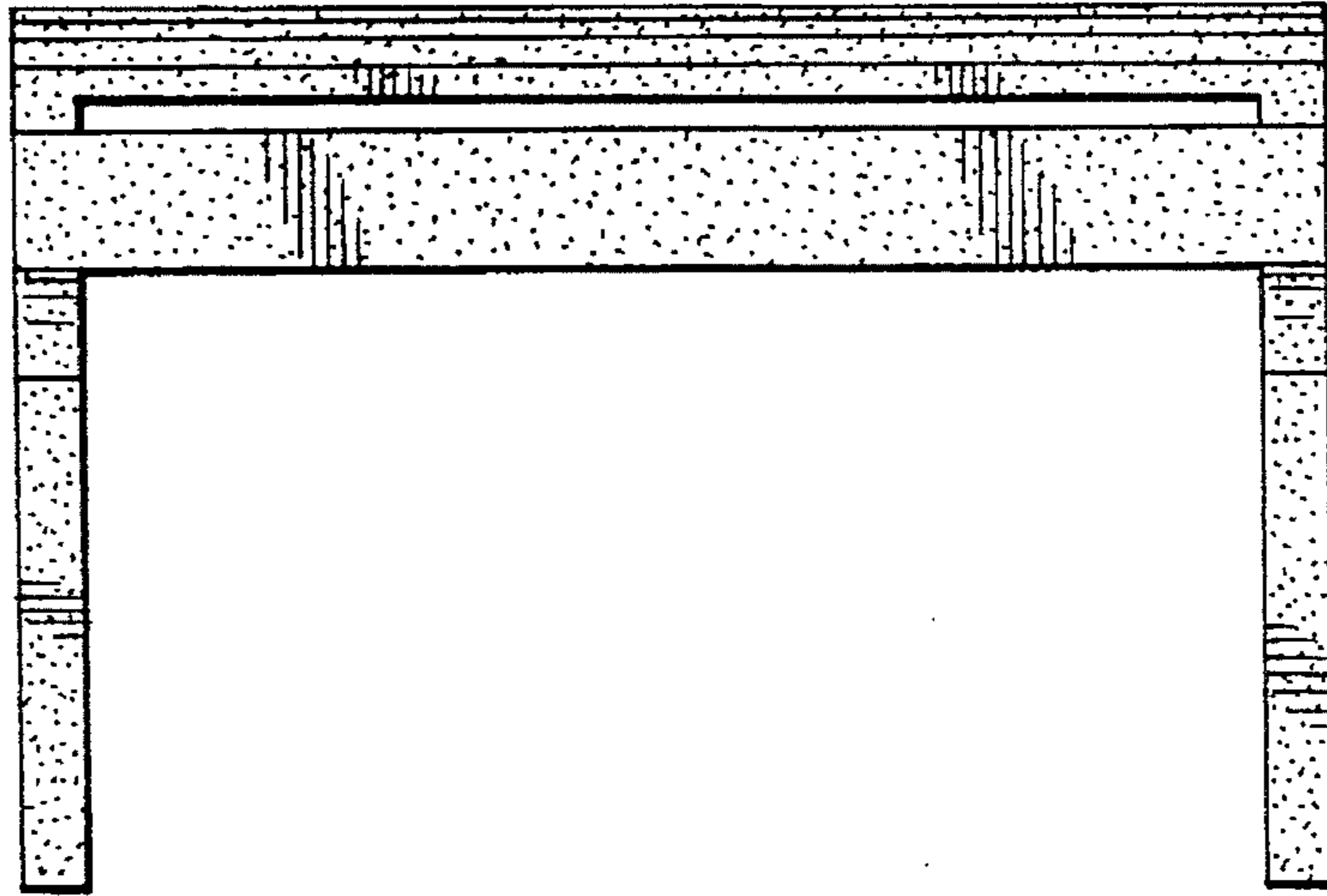


FIG. 3

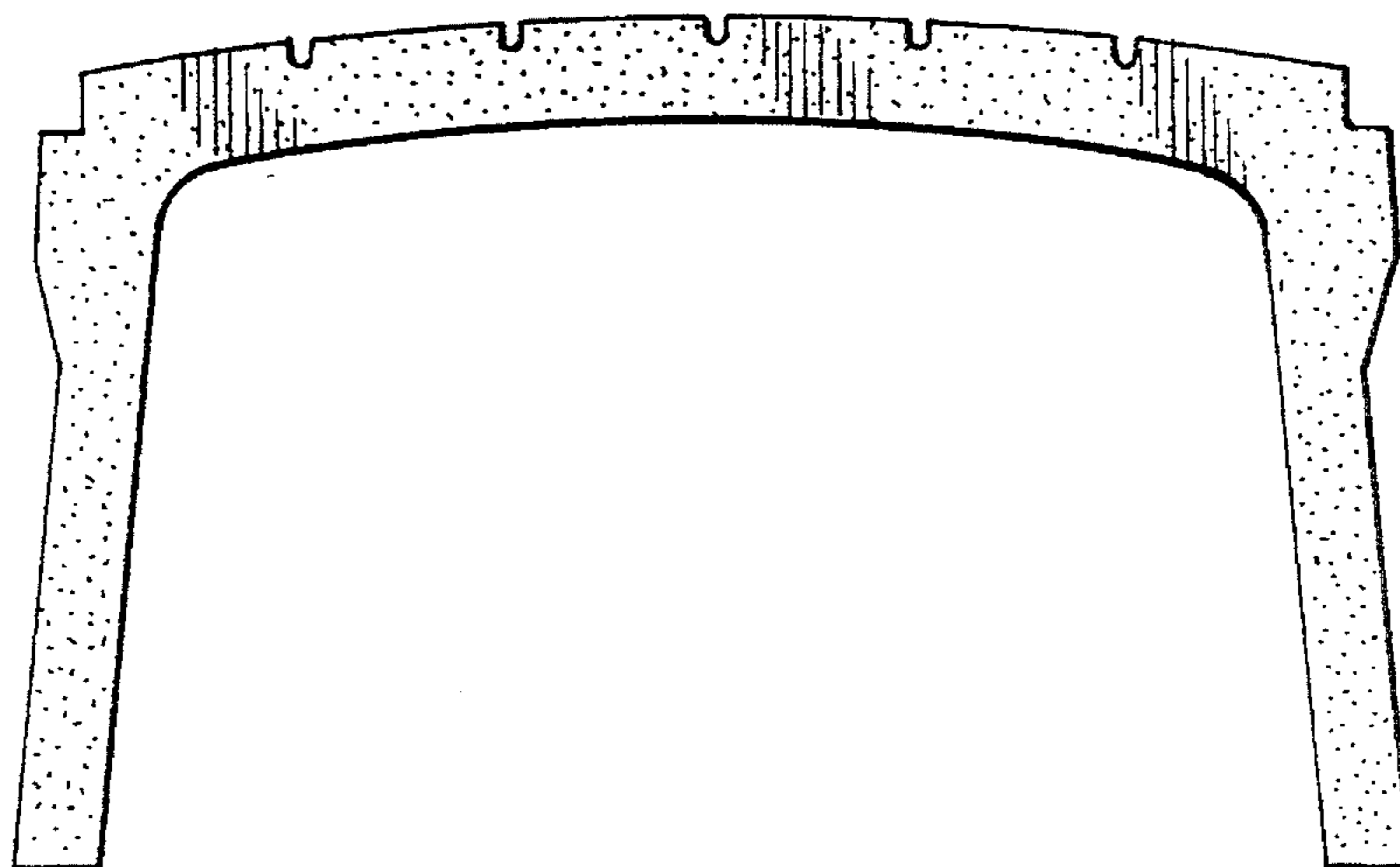


FIG. 4

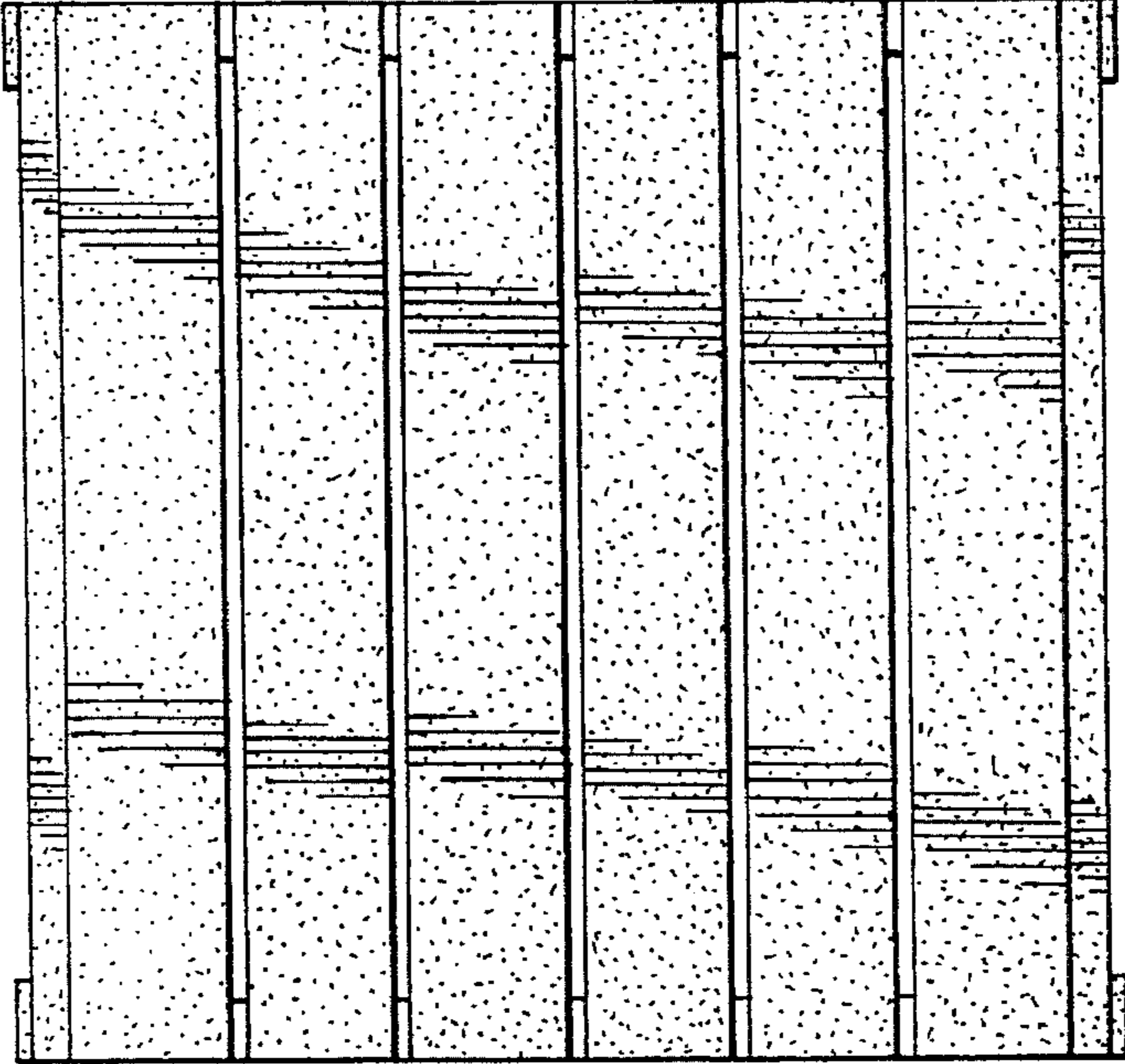


FIG. 5

