



US00D363822S

**United States Patent** [19]  
**O'Neil**

[11] **Patent Number: Des. 363,822**

[45] **Date of Patent: \*\*Nov. 7, 1995**

[54] **HANGER FOR IN-LINE SKATES**

FOREIGN PATENT DOCUMENTS

[76] Inventor: **Kevin M. O'Neil**, 4560 W. Arm Rd.,  
Spring Park, Minn. 55384

231537 11/1959 Australia ..... D6/315

[\*\*] Term: **14 Years**

*Primary Examiner*—Brian N. Vinson  
*Attorney, Agent, or Firm*—Haugen and Nikolai

[21] Appl. No.: **28,311**

[57] **CLAIM**

[22] Filed: **Sep. 12, 1994**

The ornamental design for the "hanger for in-line skates" as shown and described.

[52] U.S. Cl. .... **D6/315; D6/552**

[58] **Field of Search** ..... D6/512-513, 552,  
D6/315, 323, 326; D8/367, 373; 211/34-38,  
113; 248/317

**DESCRIPTION**

[56] **References Cited**

**U.S. PATENT DOCUMENTS**

- D. 201,112 5/1965 Stein .
- D. 342,612 12/1993 McIntyre .
- D. 353,717 12/1994 O'Neil ..... D6/315
- 3,587,951 6/1971 Derouin .
- 4,733,897 3/1988 Schuetzeberg .
- 5,224,607 7/1993 Koresko .

FIG. 1 is a perspective view of my design for a hanger for in-line skates;

FIG. 2 is a side elevational view of my design;

FIG. 3 is a side elevational view of the design shown in FIG. 1, with FIG. 3 being taken from the right side of FIG. 1;

FIG. 4 is a side elevational view similar to FIG. 3, being taken from the left side of FIG. 1;

FIG. 5 is a top plan view of my design; and,

FIG. 6 is a bottom plan view of my design.

**1 Claim, 3 Drawing Sheets**

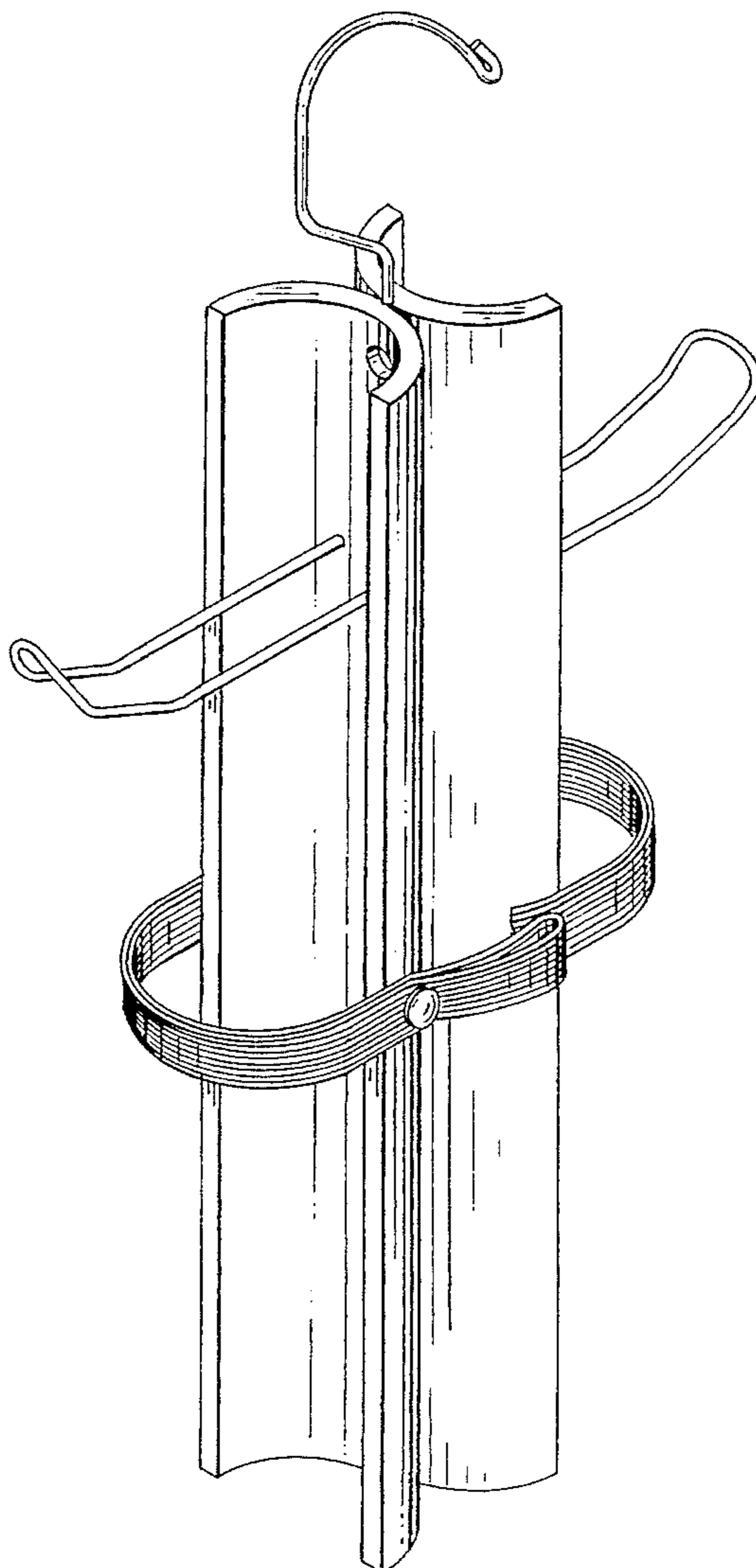


Fig.-1

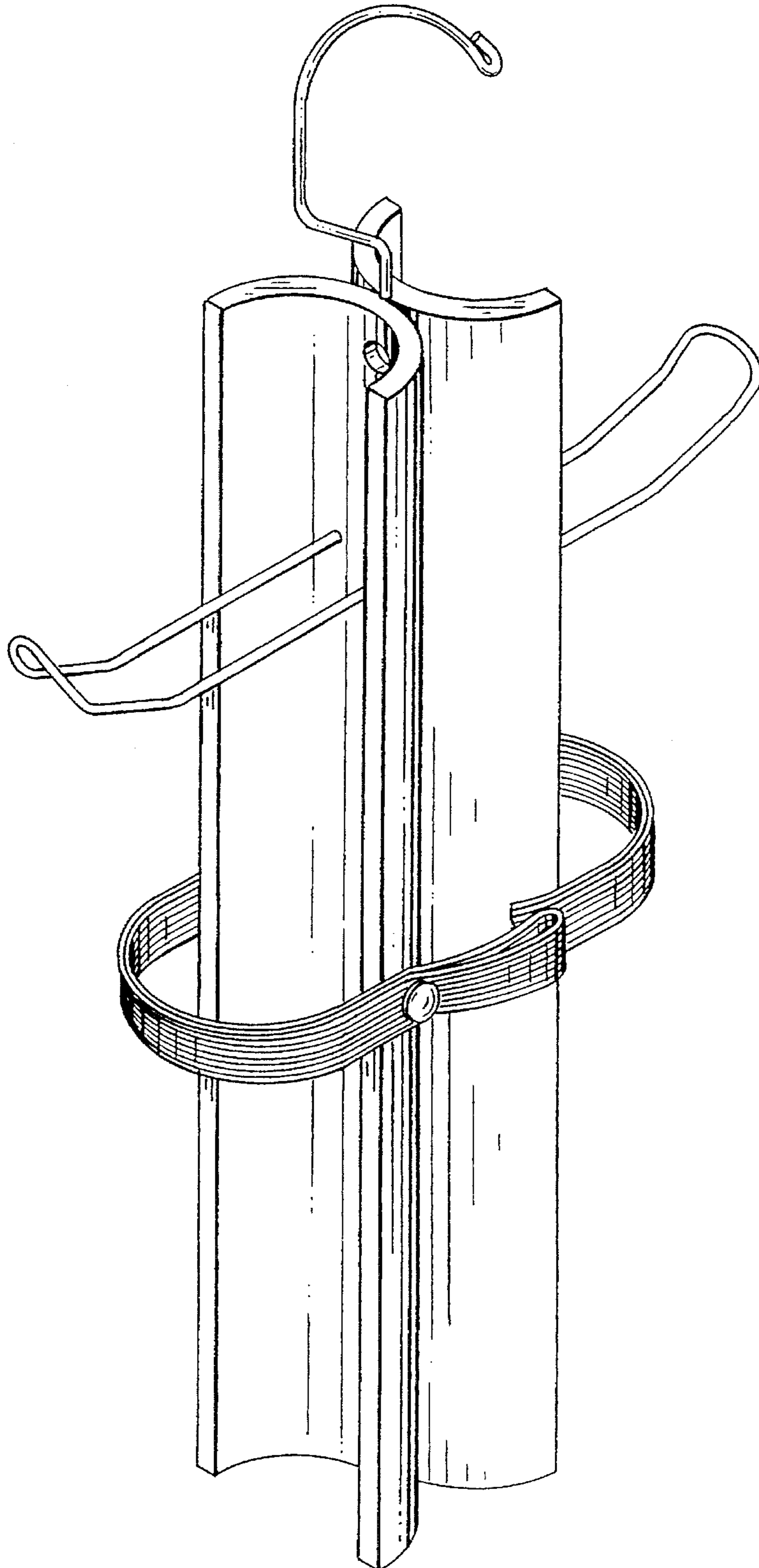


Fig.-2

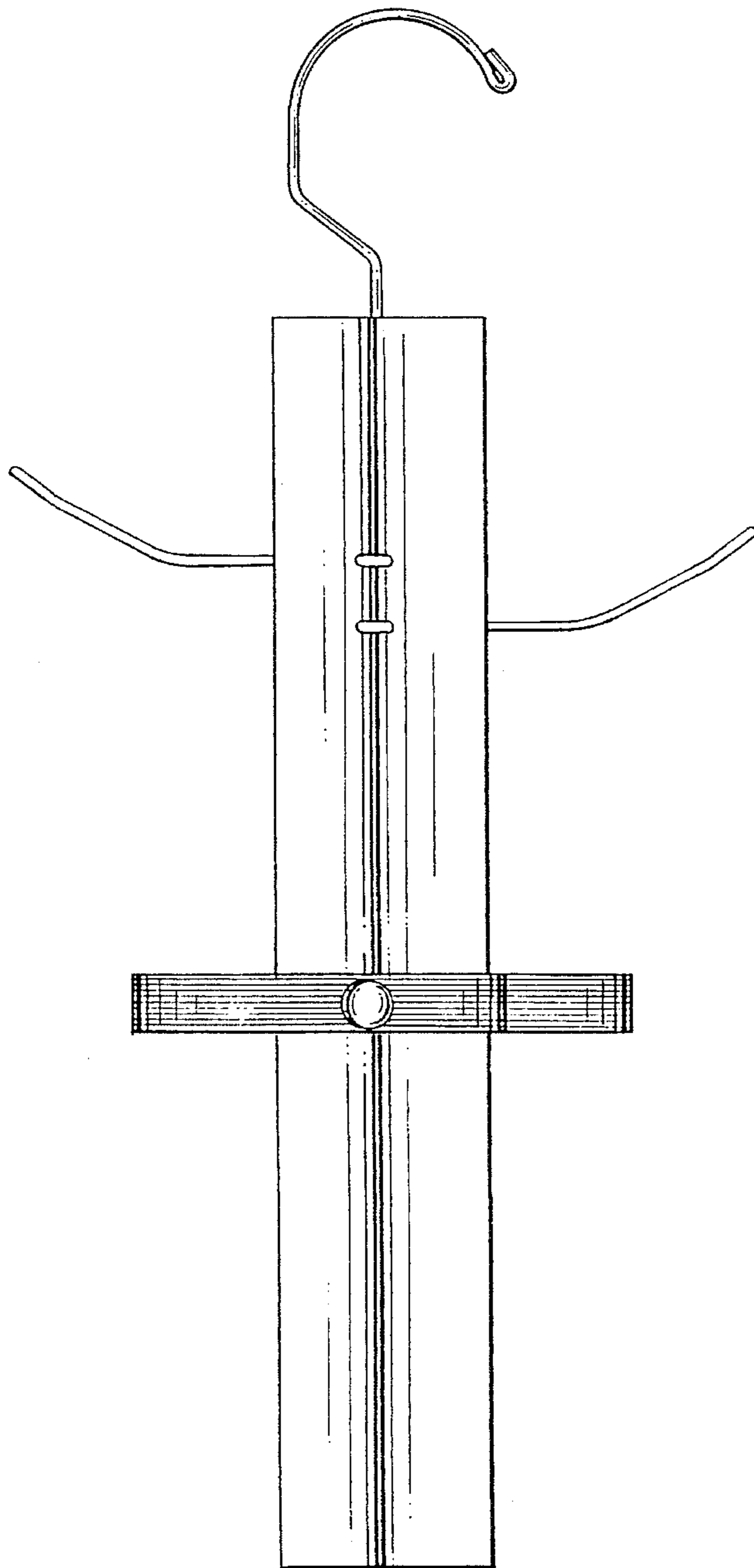


Fig.-3

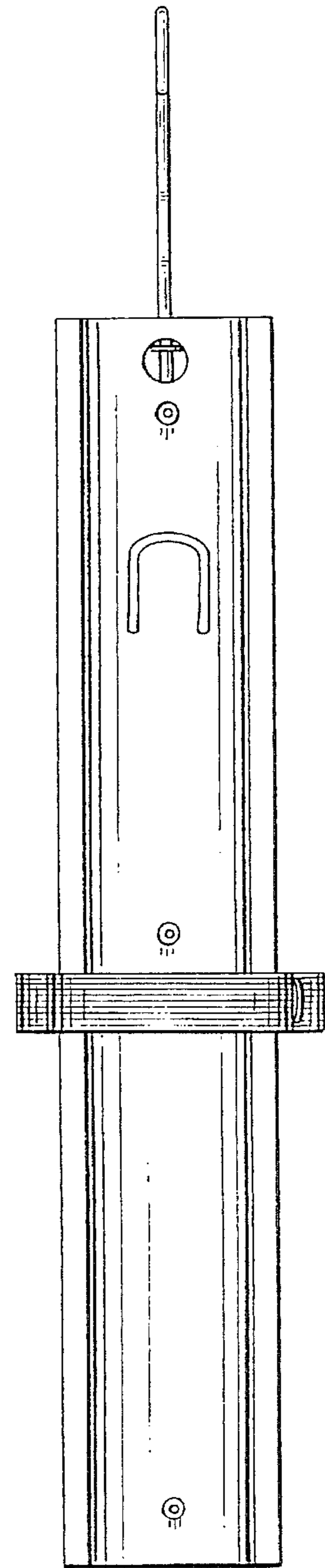


Fig.-4

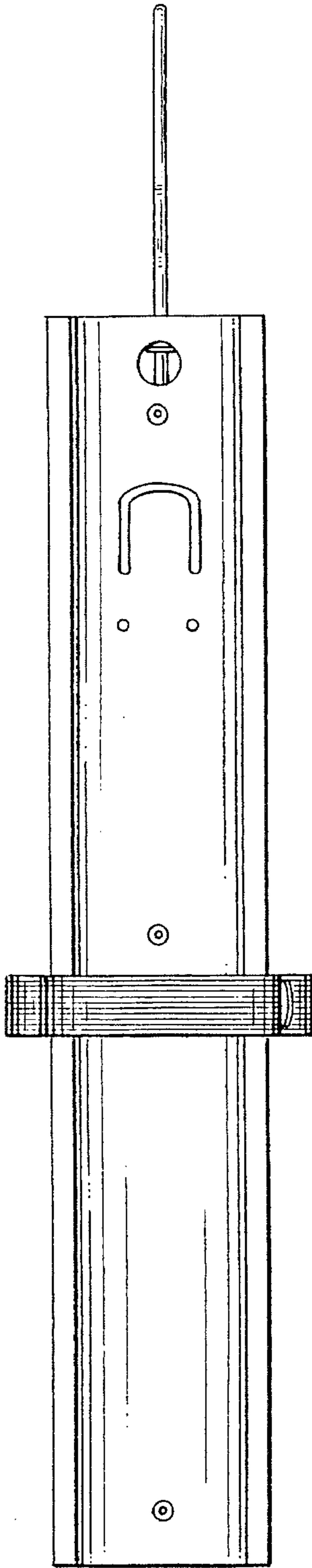


Fig.-5

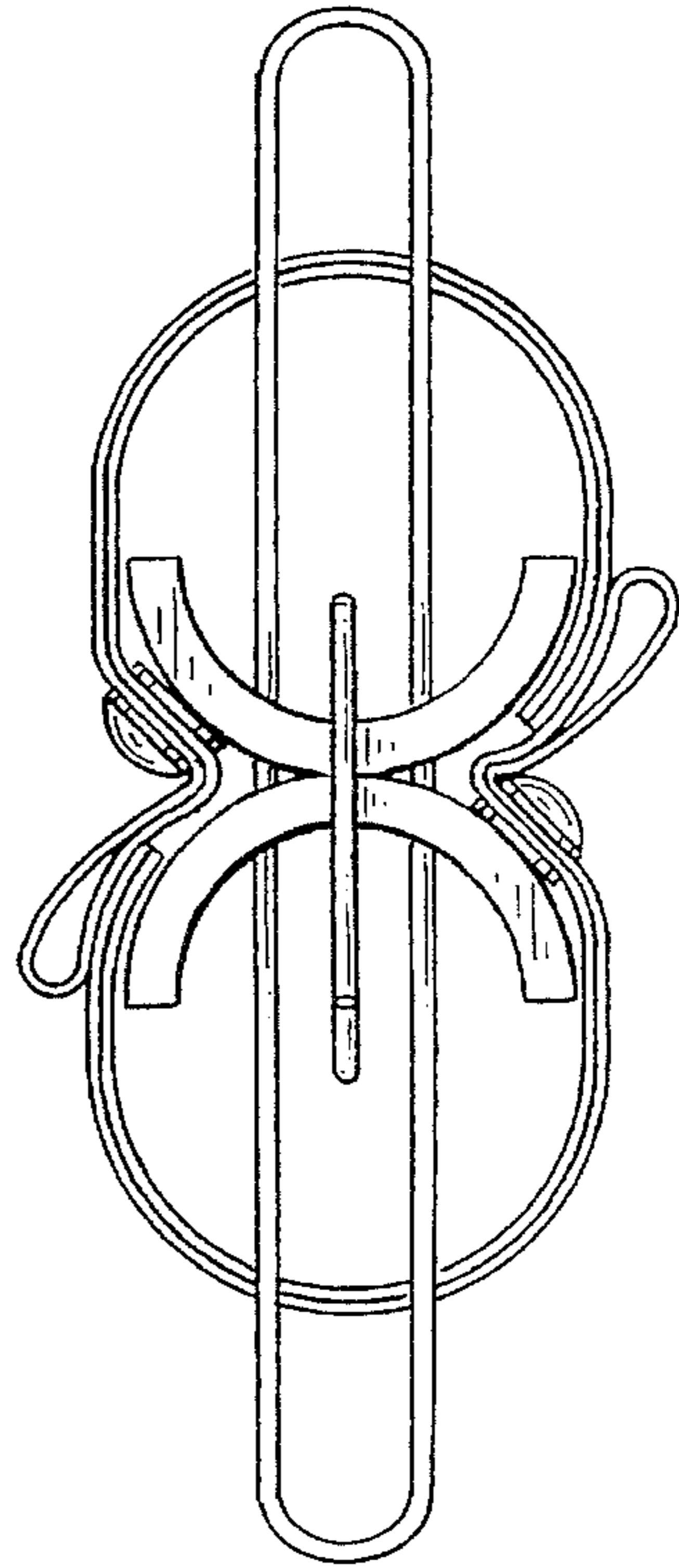


Fig.-6

