



US00D363821S

United States Patent [19]
Burgess

[11] **Patent Number:** **Des. 363,821**
[45] **Date of Patent:** ****Nov. 7, 1995**

[54] **BROOM WITH ADJUSTABLE HANDLE**
[76] Inventor: **Esther E. Burgess**, 1526 New York Ave., Brooklyn, N.Y. 11210
[**] Term: **14 Years**
[21] Appl. No.: **25,103**
[22] Filed: **Jun. 27, 1994**
[52] U.S. Cl. **D4/132; D4/121**
[58] **Field of Search** D4/130, 132, 135, D4/138, 199; D32/40, 50-51; 15/143.1, 144.1-144.4, 159.1, 160, 168, 171, 174, 186-187

3,704,479 12/1972 Witaker .
4,068,346 1/1978 Binder .
4,285,096 8/1981 Swaim .
5,001,802 3/1991 Humphrey .
5,010,616 4/1991 Berti .

Primary Examiner—A. Hugo Word
Assistant Examiner—Lavone D. Tabor

[57] **CLAIM**

The ornamental design for the broom with adjustable handle, as shown and described.

DESCRIPTION

FIG. 1 is a front elevational view of the broom with adjustable handle showing my new design; FIG. 2 is a rear elevational view thereof; FIG. 3 is a left side elevational view thereof; FIG. 4 is a right side elevational view thereof; FIG. 5 is an enlarged top plan view thereof; and, FIG. 6 is an enlarged bottom plan view thereof.

[56] **References Cited**
U.S. PATENT DOCUMENTS
D. 127,603 6/1941 Nickle D4/199
428,665 5/1890 Clyde et al. 15/171
1,185,732 6/1916 Swayne 15/144.4
3,029,455 4/1962 Siculan 15/171 X
3,153,252 10/1964 Ricciardi 15/144.4

1 Claim, 3 Drawing Sheets

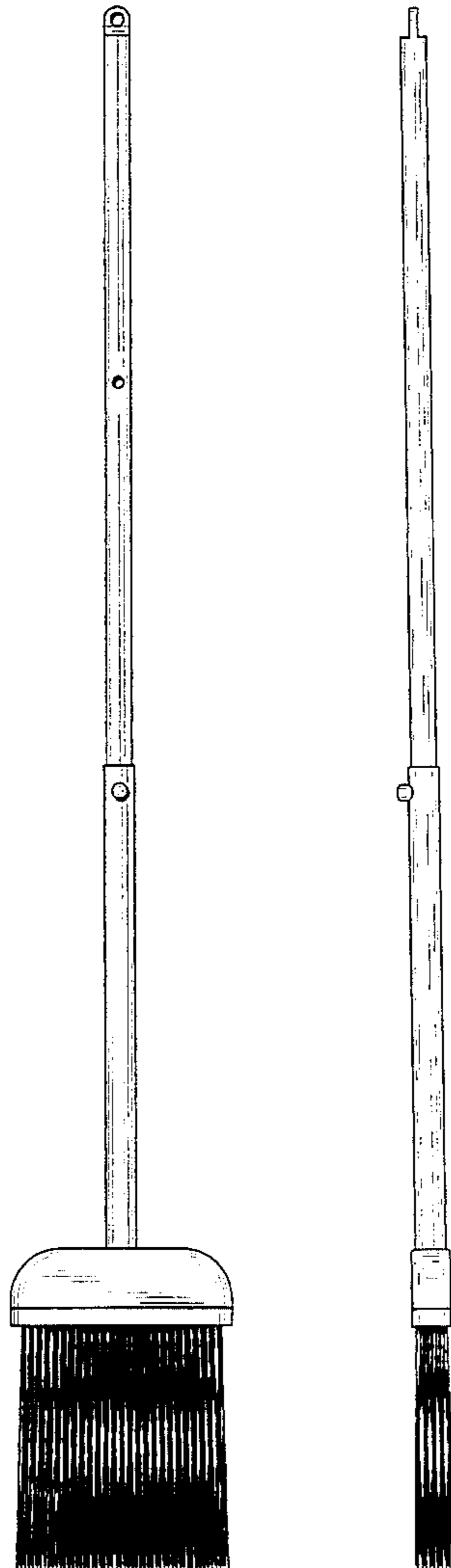


FIG. 1

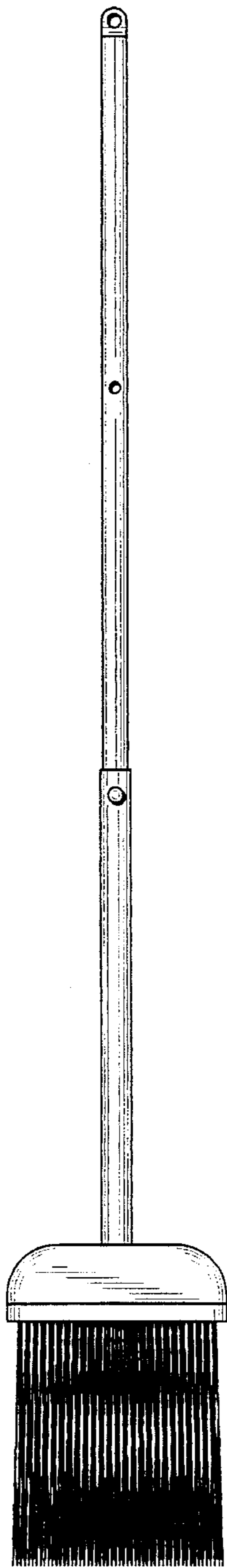


FIG. 2

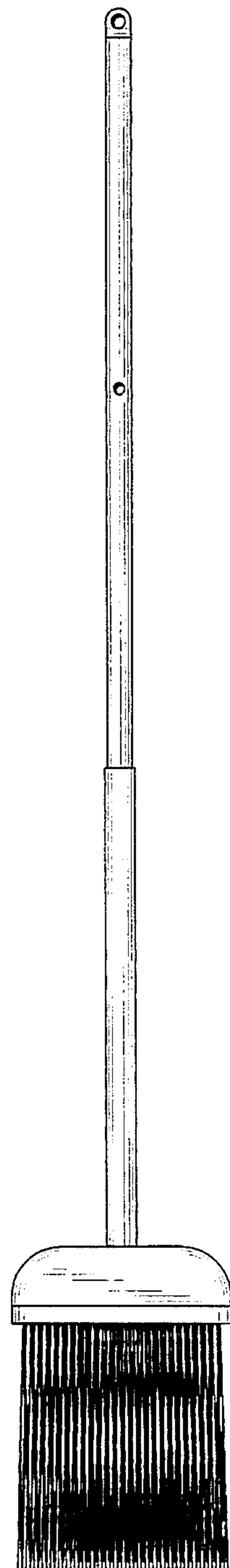


FIG. 3

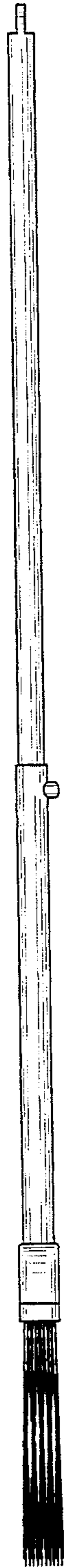


FIG. 4

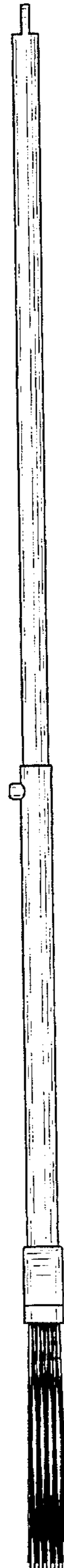


FIG. 5

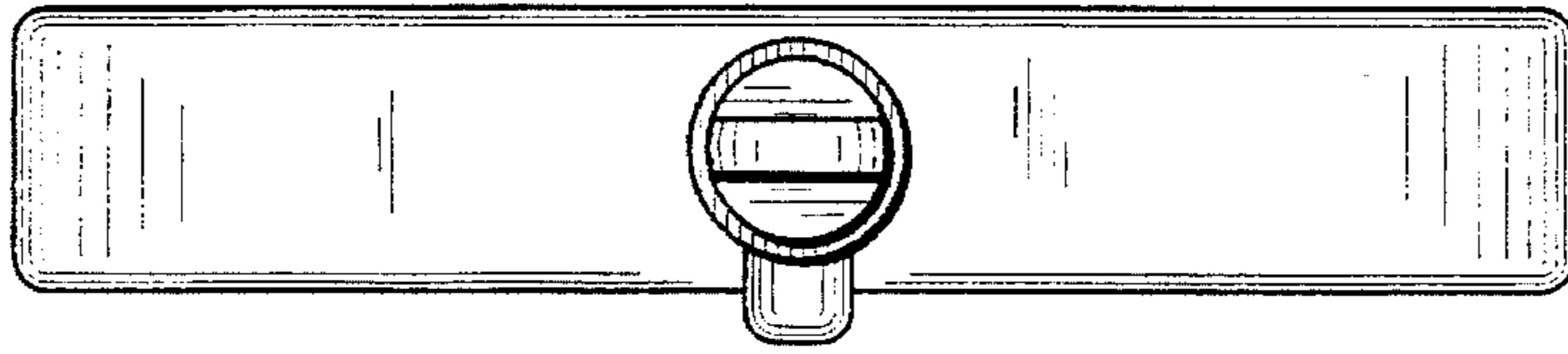


FIG. 6

