



US00D363818S

United States Patent [19]

Booth et al.

[11] Patent Number: **Des. 363,818**

[45] Date of Patent: ****Nov. 7, 1995**

[54] **CASE FOR REMOVABLE BARRELS FOR PAINTBALL GUNS**

5,002,401 3/1991 Blackman 383/39 X
5,327,669 7/1994 Lannan et al. 206/315. 11

[76] Inventors: **Robert L. Booth; Minnie S. Booth,**
both of 122 Fer Don Rd., Dayton, Ohio
45405

Primary Examiner—Doris V. Coles
Attorney, Agent, or Firm—H. Stanley Muir, III

[**] Term: **14 Years**

[57] **CLAIM**

The ornamental design for a case for removable barrels for paintball guns, as shown and described.

[21] Appl. No.: **12,400**

DESCRIPTION

[22] Filed: **Aug. 31, 1993**

[52] U.S. Cl. **D3/254**

[58] **Field of Search** D3/250, 262, 299,
D3/903; 383/6, 40, 39, 72, 38, 75; 206/315.11,
372, 523, 373, 459, 495; 190/901, 107,
109, 114

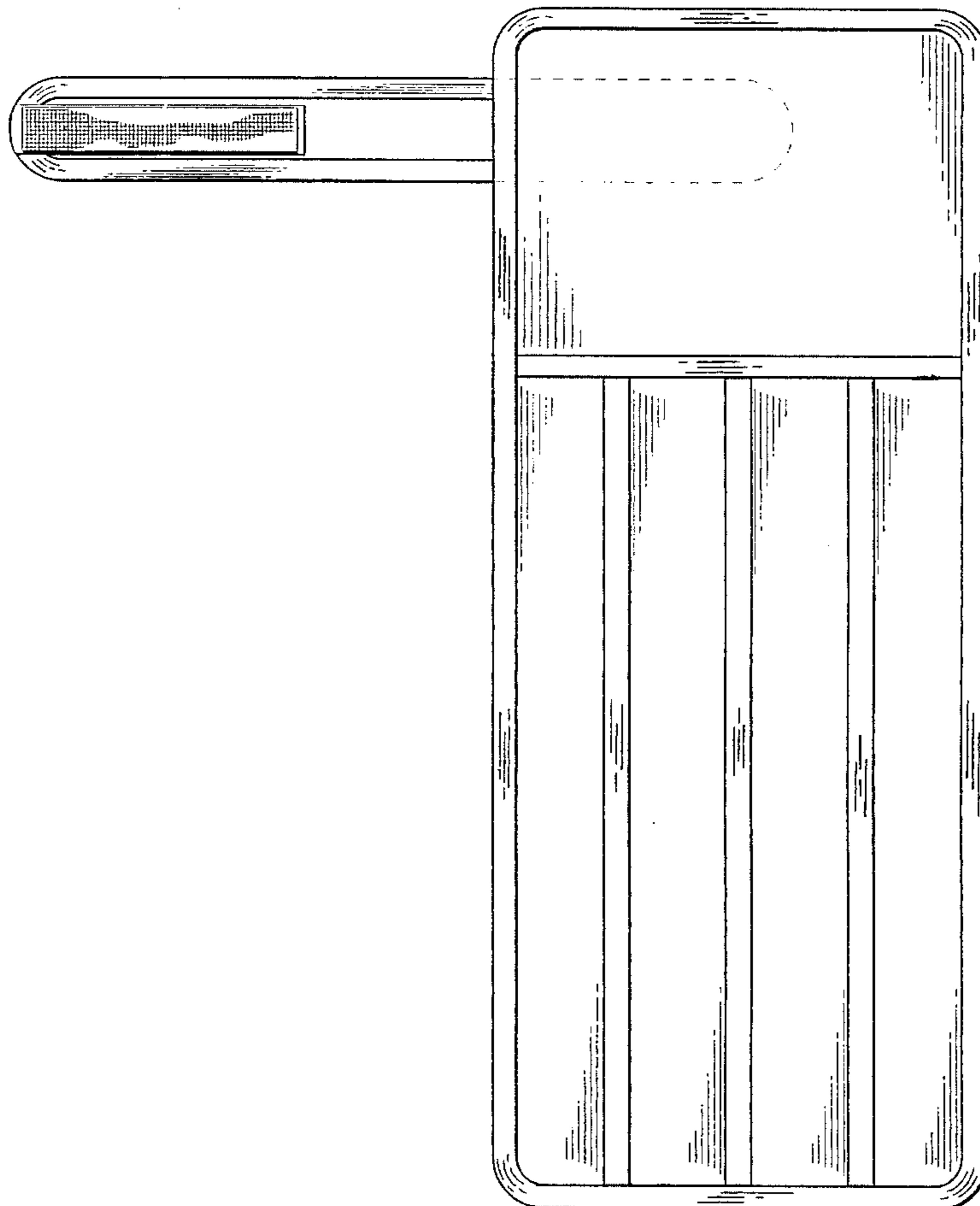
FIG. 1 is a front elevation view of the case for removable barrel for paintball guns in a fully opened position with the flap up and the closure open showing my new design; FIG. 2 is a front elevation view thereof in an opened position with the flap down and the closure open; FIG. 3 is an end perspective view thereof from the bottom in a fully opened position with the flap up and the closure open; FIG. 4 is a side perspective view thereof in a fully closed position with the flap down, the case wrapped about itself, and the closure wrapped in a closed position about the case; and, FIG. 5 is a rear elevation view thereof in an opened position with the flap up and the closure open. The broken lines in FIGS. 1, 2 and 5 represent conventional stitching.

[56] **References Cited**

U.S. PATENT DOCUMENTS

D. 245,457	9/1977	Berrett .	
D. 270,784	10/1983	Forrester	D3/299
D. 348,542	7/1994	Cannella	D3/299 X
847,254	3/1907	Jackson	383/39 X
1,094,009	4/1914	Parkhurst	D3/299 X
2,854,775	10/1956	Kleckley	D22/134 X
3,749,233	7/1973	McCormick, Jr.	D3/299 X
4,101,025	7/1978	Jordan	383/39 X
4,715,499	12/1987	Franklin	383/39 X

1 Claim, 4 Drawing Sheets



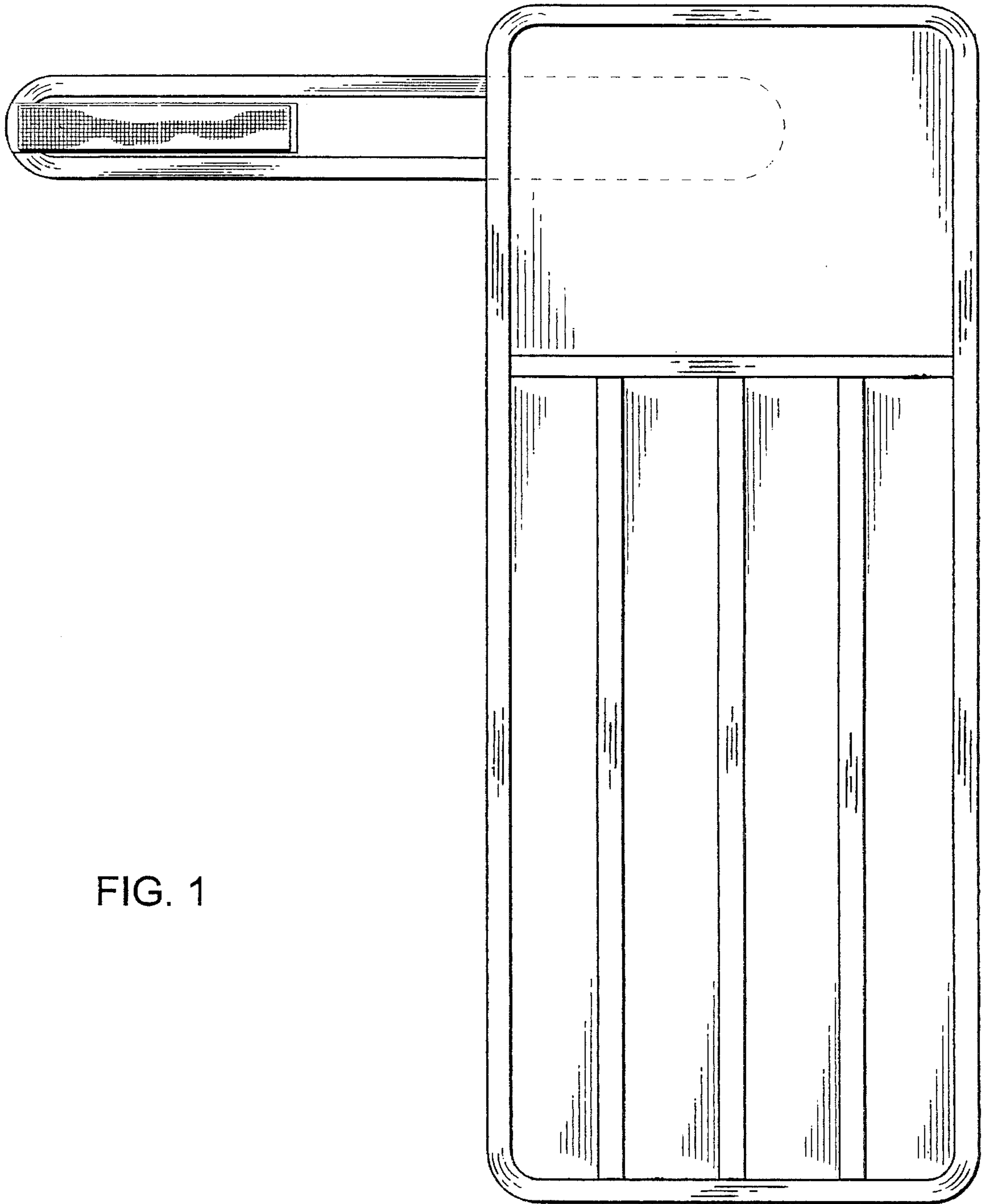


FIG. 1

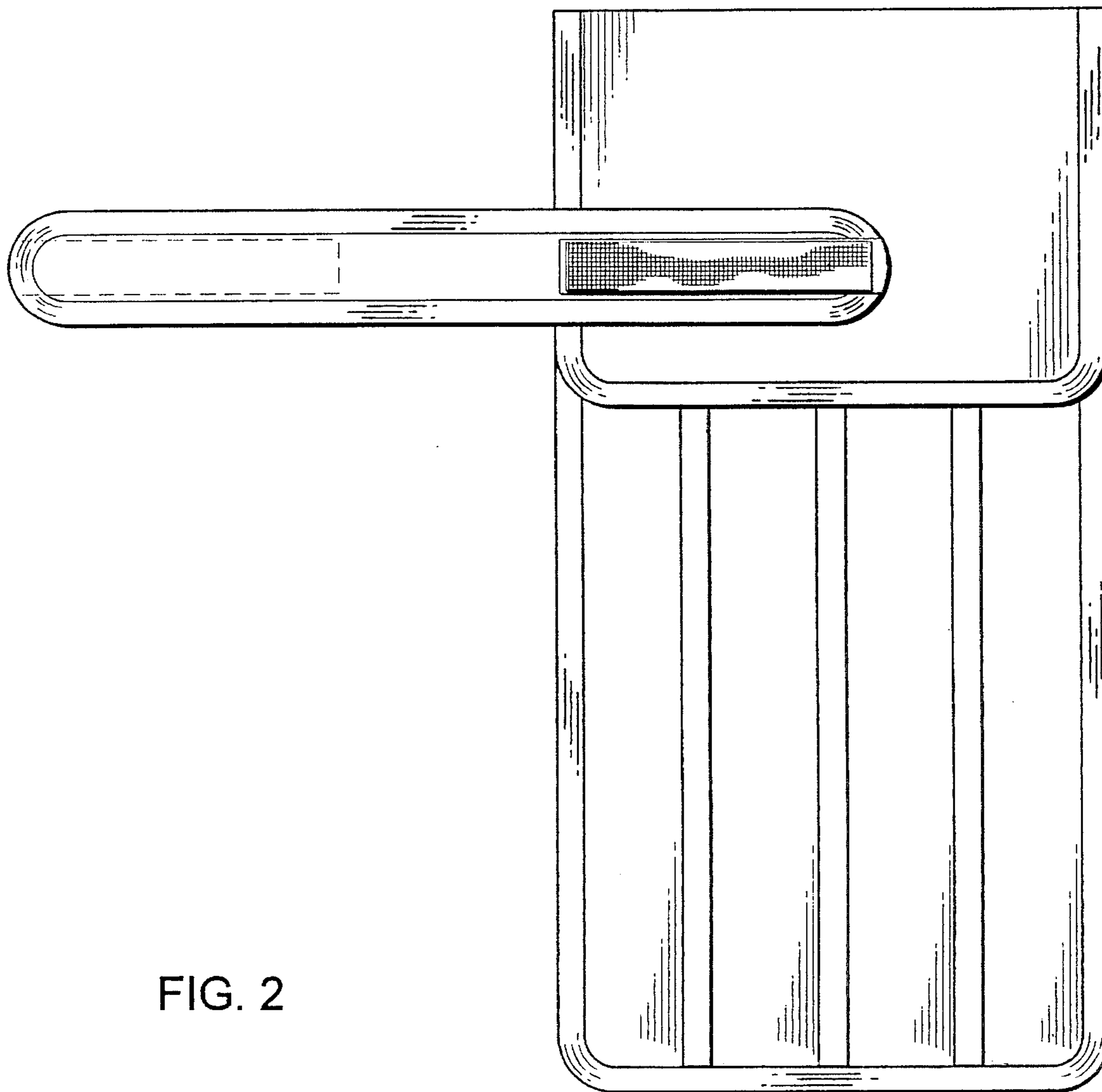


FIG. 2

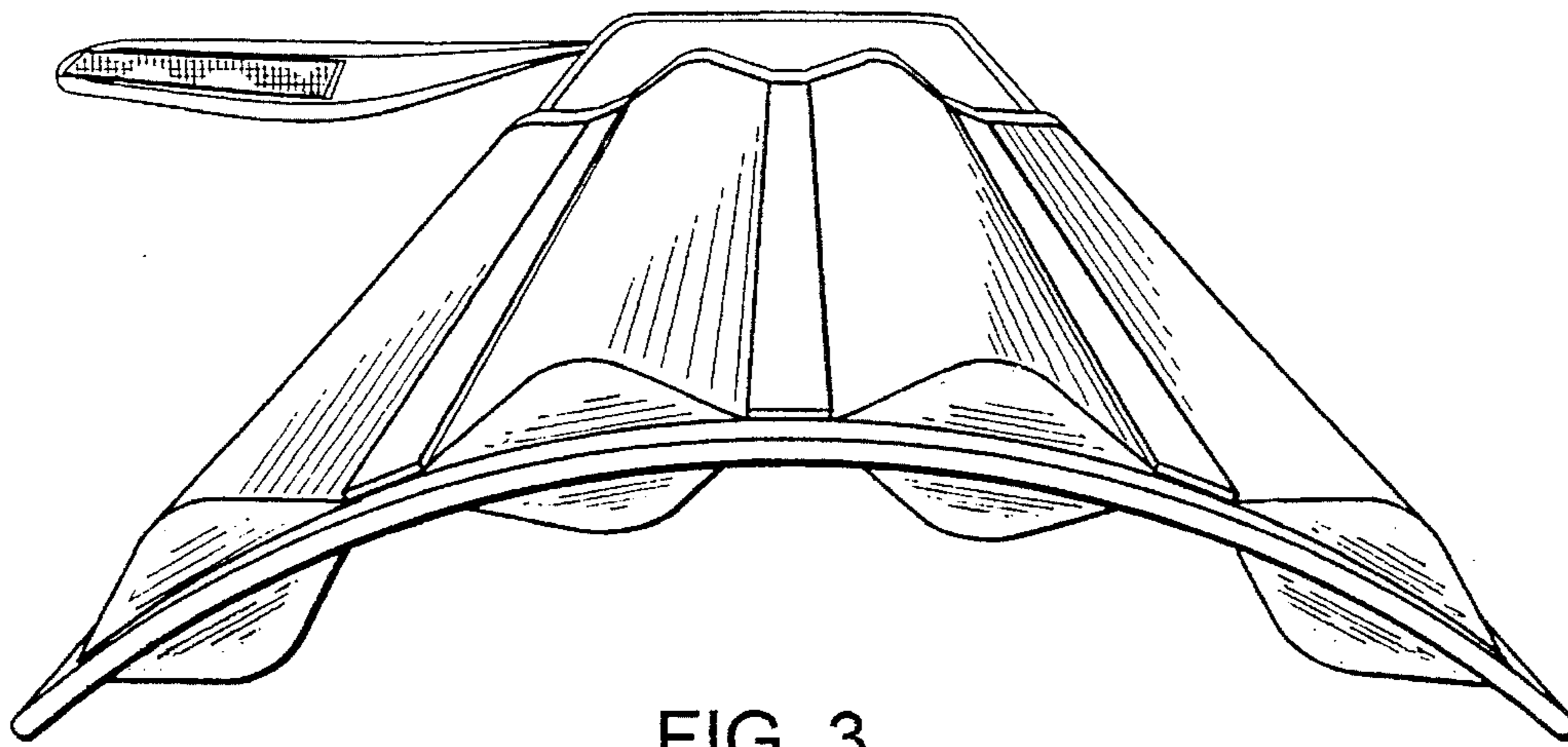


FIG. 3

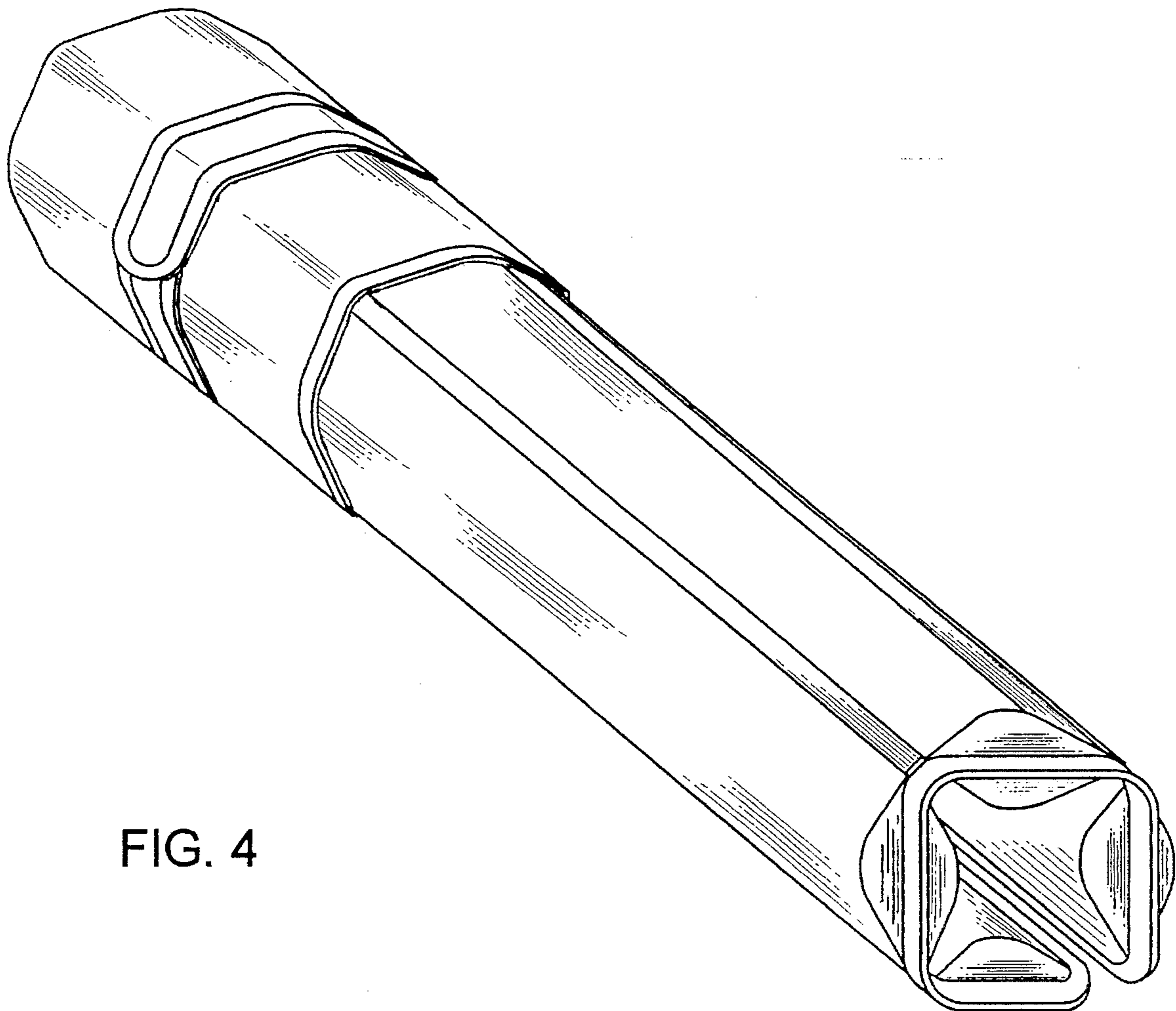


FIG. 4

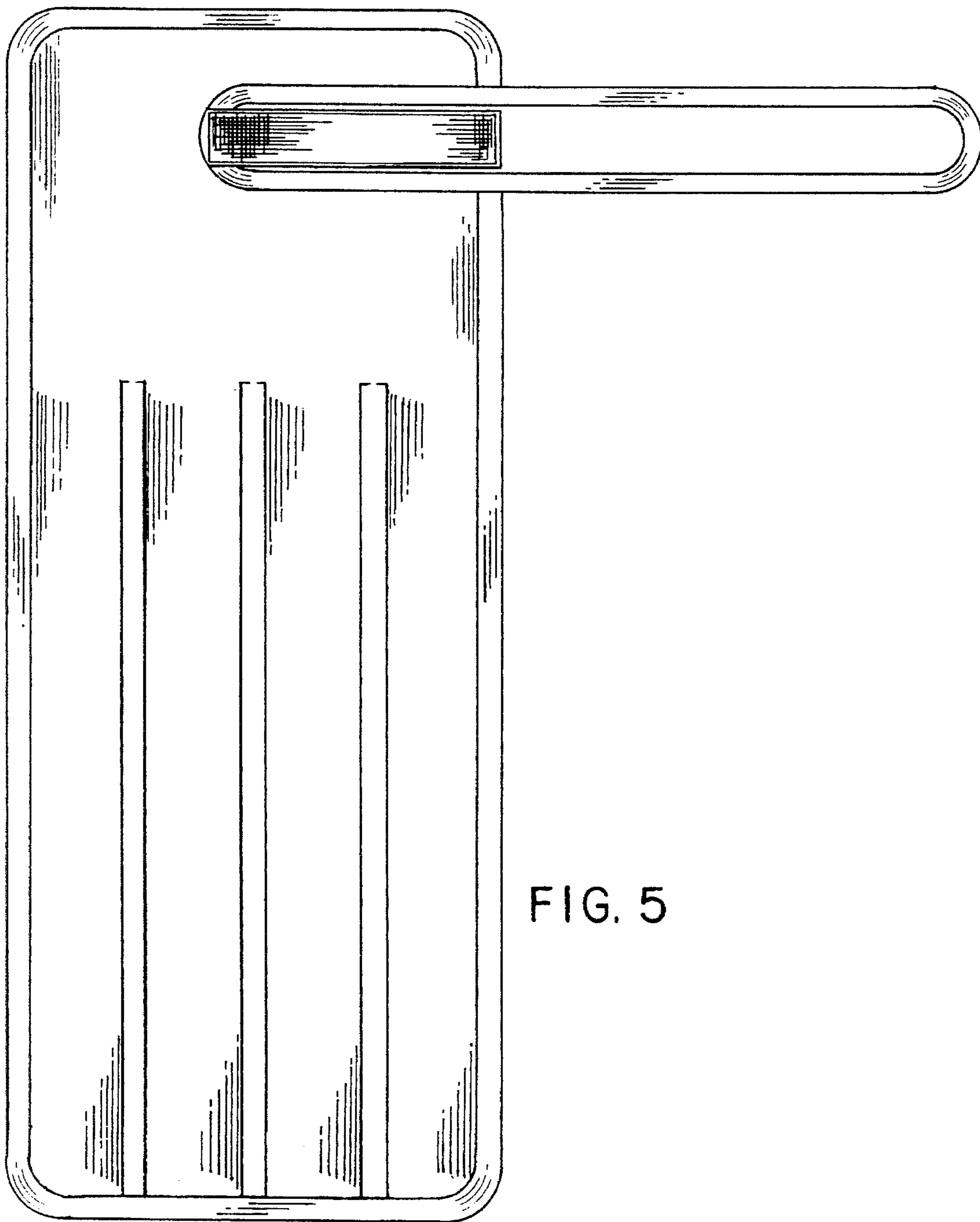


FIG. 5