



US00D363816S

United States Patent [19]

[11] Patent Number: **Des. 363,816**

Sarkinen et al.

[45] Date of Patent: ****Nov. 7, 1995**

[54] **BLADDER FOR A SHOE SOLE**
[75] Inventors: **Larry R. Sarkinen**, Vancouver, Wash.;
James C. Sell, Jr., Beaverton; **Steve Roth**, Portland, both of Oreg.

5,005,300 4/1991 Diaz et al. 36/114
5,113,599 5/1992 Cohen et al. 36/88
5,353,459 10/1994 Potter et al. 12/146 R

[73] Assignee: **Nike, Inc.**, Beaverton, Oreg.

OTHER PUBLICATIONS

Exhibits A-H, Photographs of Bladders (submitted as prior art).
Nike 1995 Spring Catalog, Published Jun. 1994, p. 4.
Nike 1994 Fall Catalog, Published Nov. 1993, pp. 2, 3, 4, and 5.

[**] Term: **14 Years**

Primary Examiner—Doris V. Coles
Attorney, Agent, or Firm—Banner & Allegretti, Ltd.

[21] Appl. No.: **36,195**

[22] Filed: **Mar. 15, 1995**

[52] U.S. Cl. **D2/961**

[58] Field of Search D2/961, 9.77;
36/44, 29, 43, 37, 32 R, 114, 28, 137, 88

[57] CLAIM

The ornamental design for a bladder for a shoe sole, as shown and described.

[56] References Cited

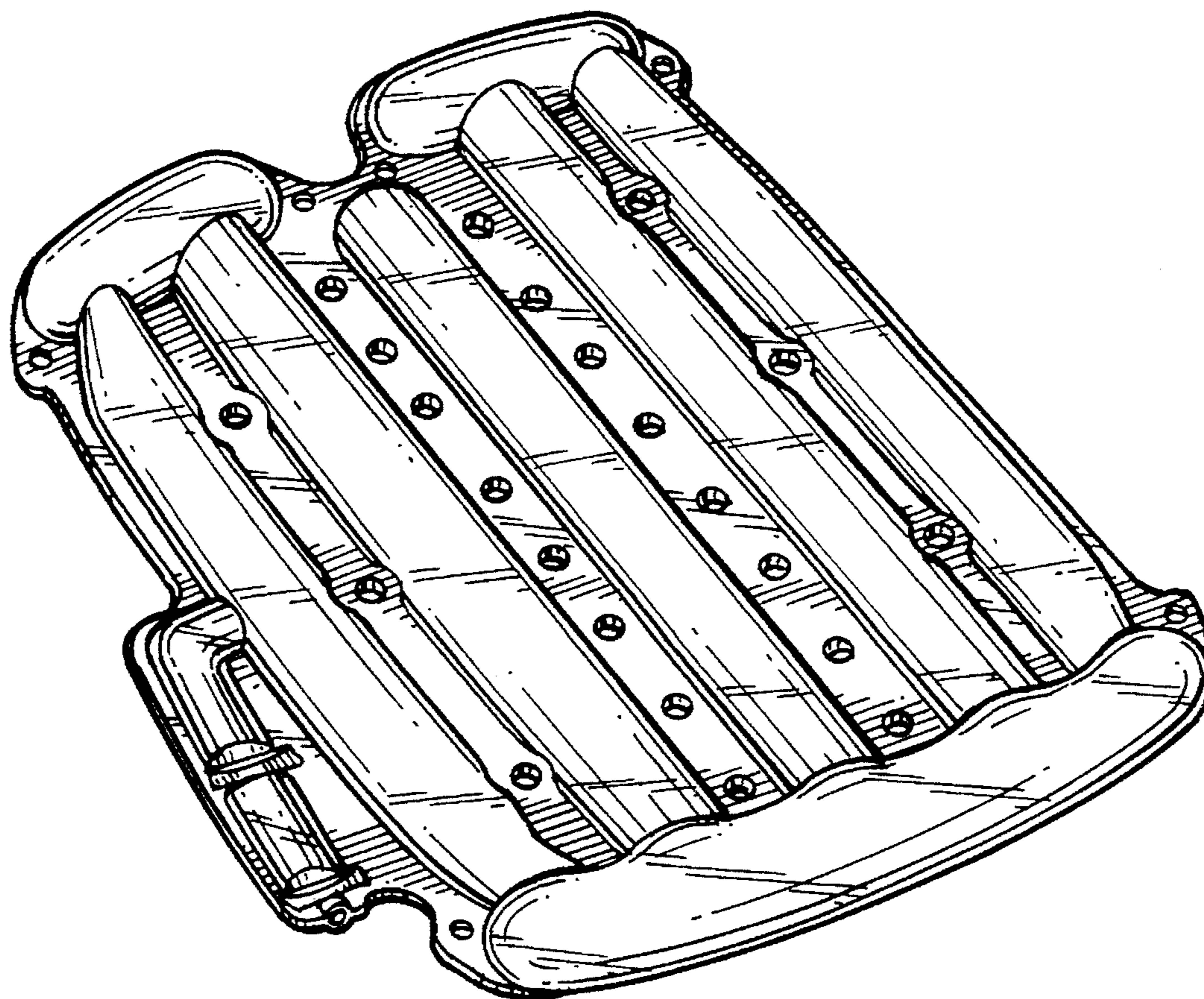
DESCRIPTION

U.S. PATENT DOCUMENTS

| | | | |
|------------|---------|--------------------|--------|
| D. 300,084 | 3/1989 | Ito et al. . | |
| D. 300,085 | 3/1989 | Ito et al. . | |
| D. 336,772 | 6/1993 | Forland et al. . | |
| D. 349,186 | 8/1994 | Passke et al. | D2/961 |
| D. 349,804 | 8/1994 | Passke et al. | D2/961 |
| D. 351,056 | 10/1994 | Auger et al. | D2/961 |
| 4,445,283 | 5/1984 | Meyers | 36/29 |
| 4,768,295 | 9/1988 | Ito | 36/28 |
| 4,782,603 | 11/1988 | Brown | 36/29 |
| 4,817,304 | 4/1989 | Parker et al. | 36/114 |
| 4,852,274 | 8/1989 | Wilson | 36/29 |

FIG. 1 is a perspective view of a bladder for a shoe sole showing our new design;
FIG. 2 is a top plan view thereof;
FIG. 3 is a left side elevational view thereof;
FIG. 4 is a right side view thereof;
FIG. 5 is a front view thereof;
FIG. 6 is a rear elevational view thereof; and,
FIG. 7 is a cross-sectional view taken along the line 7—7 of FIG. 2.

1 Claim, 3 Drawing Sheets



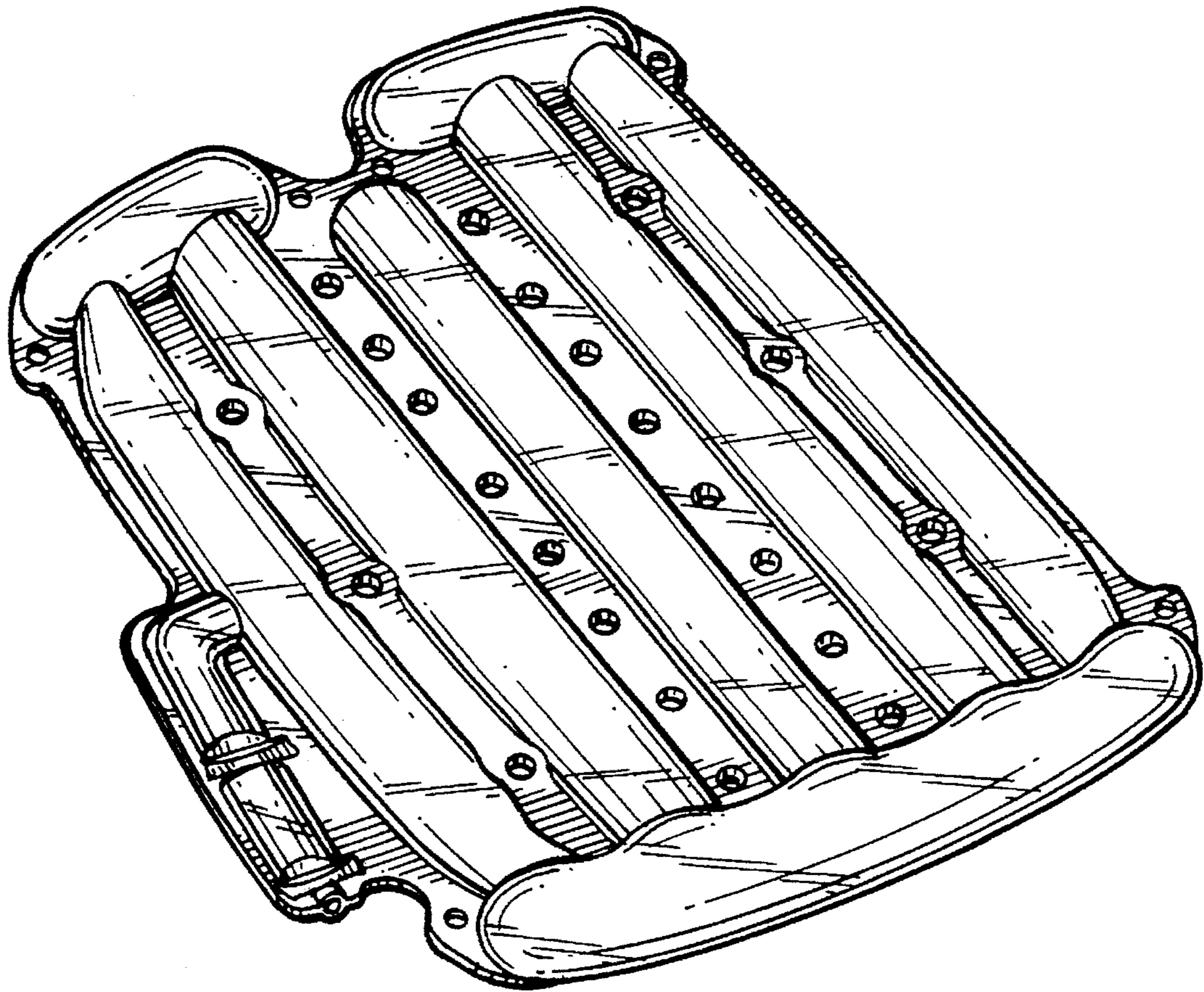


FIG. 1

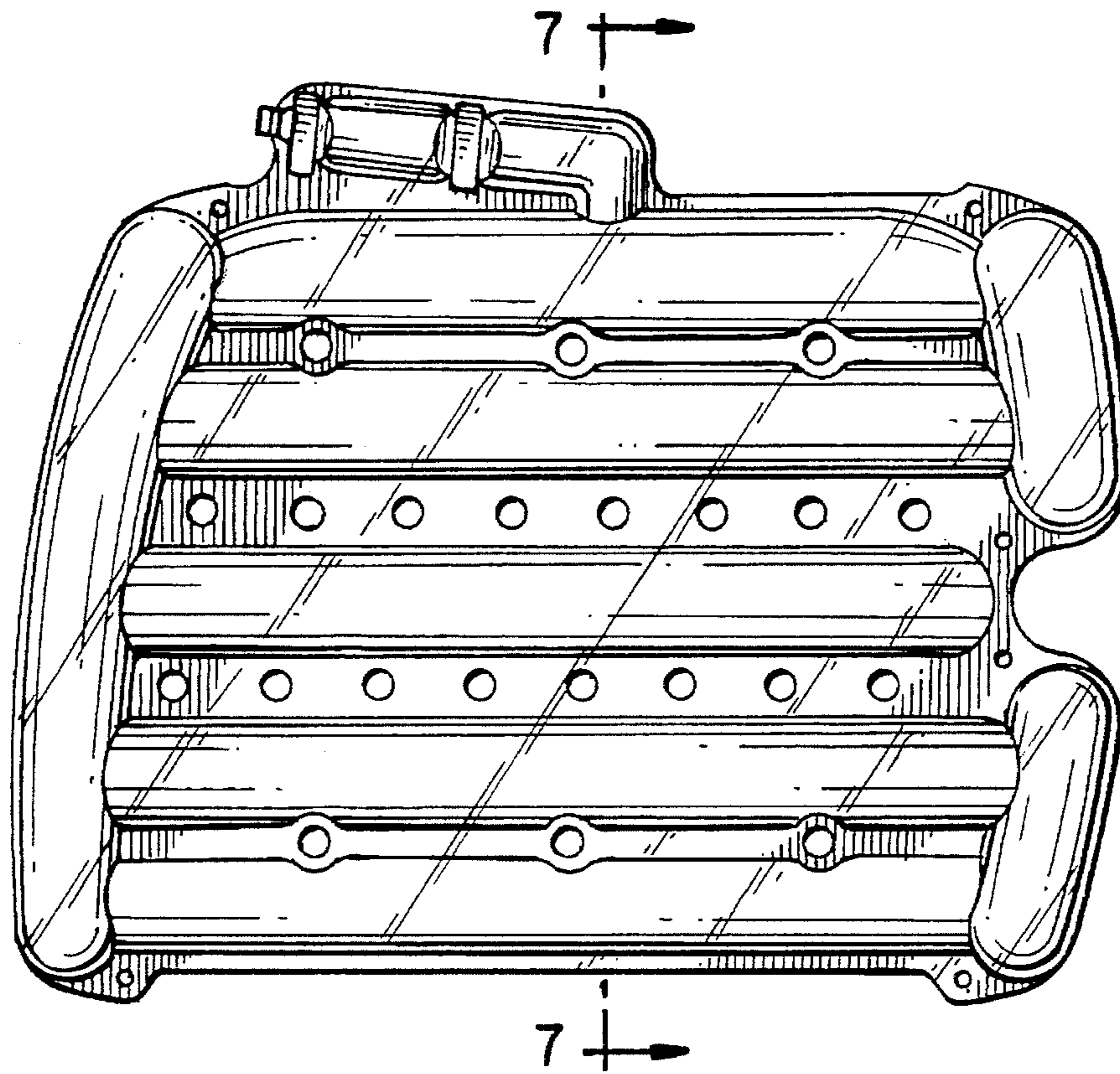


FIG. 2

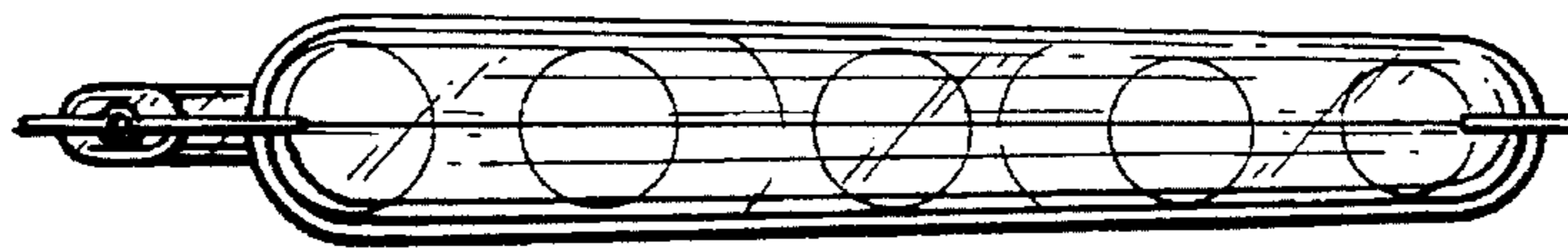


FIG. 3



FIG. 4



FIG. 5



FIG. 6

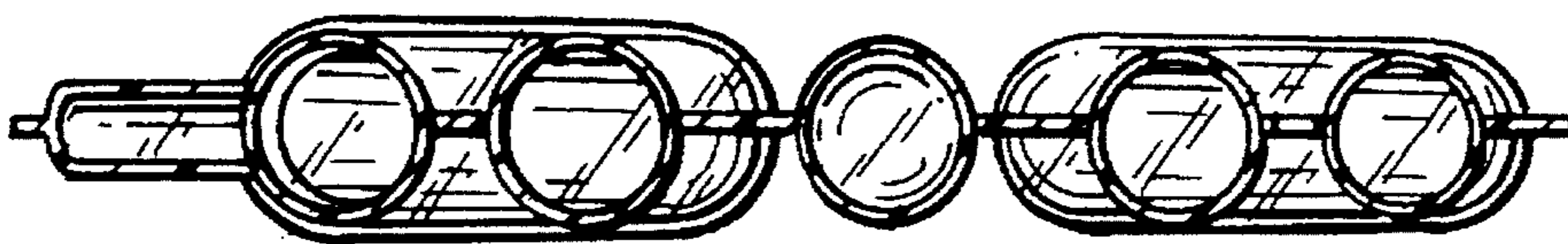


FIG. 7