



US00D363805S

United States Patent [19]
Cole, Jr.

[11] **Patent Number:** **Des. 363,805**
[45] **Date of Patent:** ****Oct. 31, 1995**

- [54] **FLUORESCENT LIGHTING FIXTURE**
- [75] Inventor: **John M. Cole, Jr.**, Hingham, Mass.
- [73] Assignee: **Litecontrol Corporation**, Hanson, Mass.
- [**] Term: **14 Years**
- [21] Appl. No.: **11,476**
- [22] Filed: **Aug. 5, 1993**
- [52] U.S. Cl. **D26/76**
- [58] **Field of Search** D26/72, 75-92;
362/147, 404, 220-225

Primary Examiner—Susan J. Lucas
Attorney, Agent, or Firm—Fish & Richardson

[57] **CLAIM**

The ornamental design for a fluorescent lighting fixture, as shown and described.

DESCRIPTION

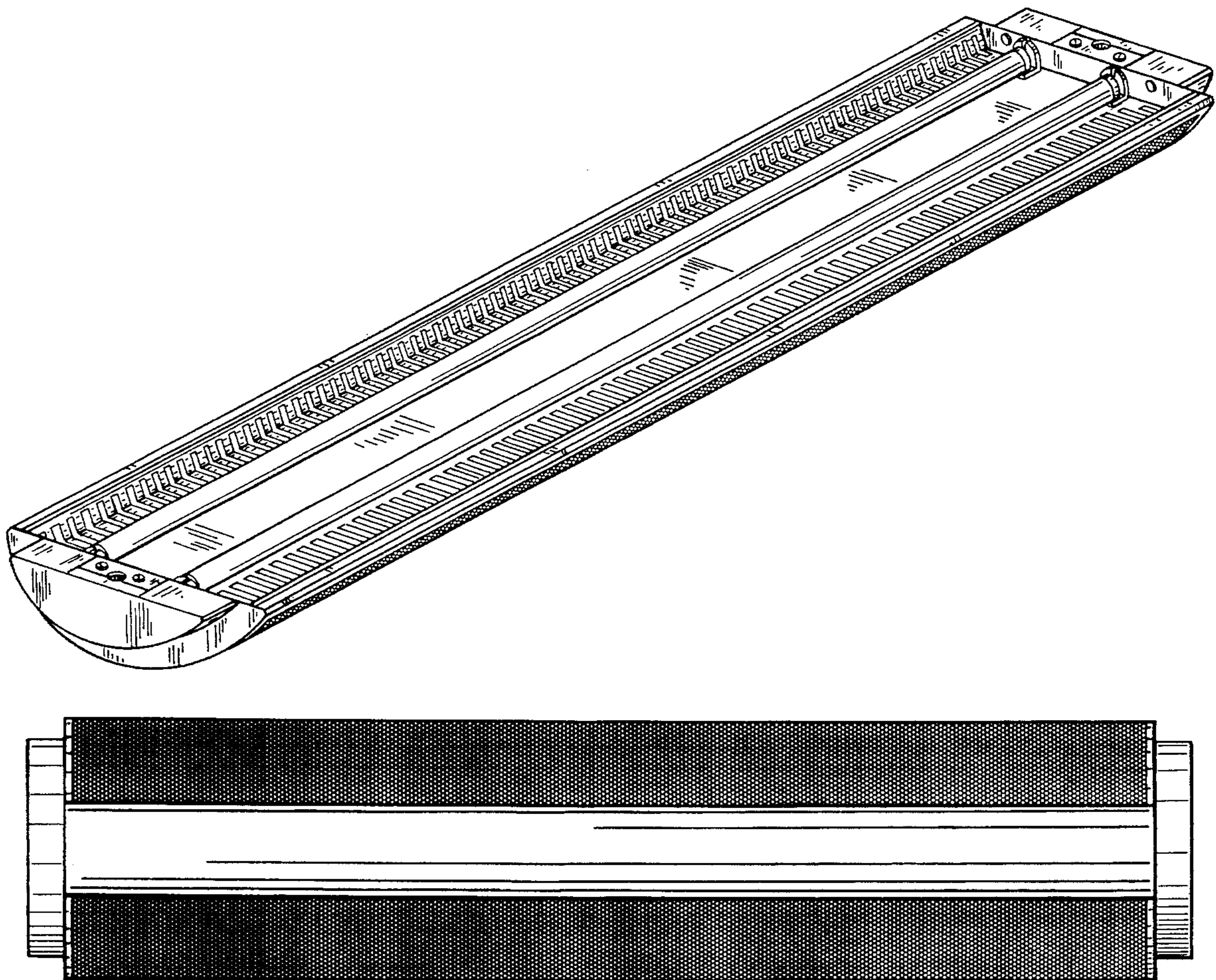
FIG. 1 is a perspective view of a fluorescent lighting fixture showing my new design;
 FIG. 2 is a top plan view of the fluorescent lighting fixture shown in FIG. 1;
 FIG. 3 is a bottom plan view of the fluorescent lighting fixture shown in FIG. 1;
 FIGS. 4 and 5 are right and left end elevational views on an enlarged scale of the fluorescent lighting fixture shown in FIG. 1; and,
 FIGS. 6 and 7 are side elevational views of the fluorescent lighting fixture shown in FIG. 1, taken from opposite sides.

[56] **References Cited**

U.S. PATENT DOCUMENTS

D. 133,214	7/1942	Ohm	D26/76
D. 188,436	7/1960	Budke et al.	D26/77
2,874,271	2/1959	Lipscomb	362/223

1 Claim, 4 Drawing Sheets



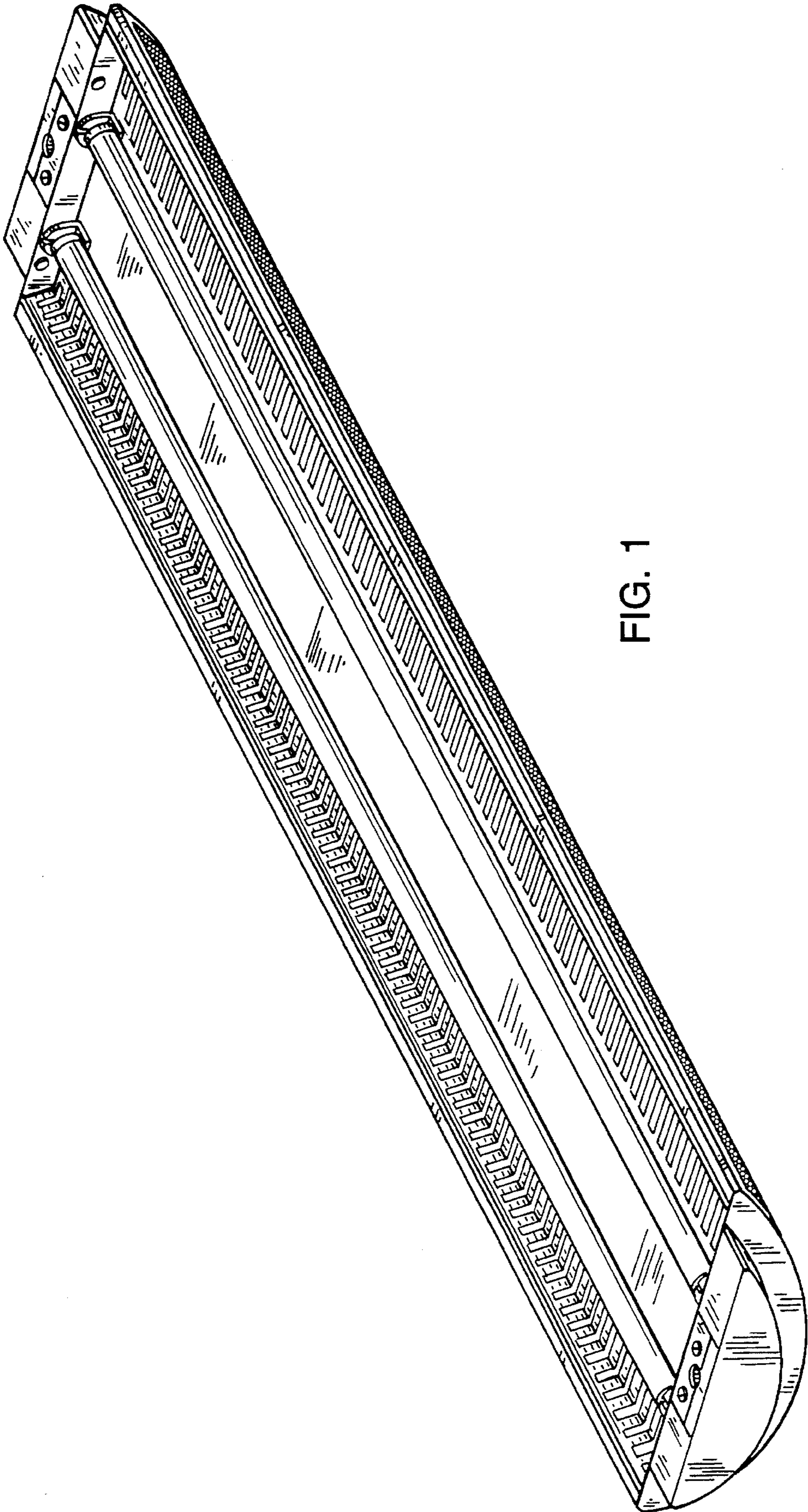


FIG. 1

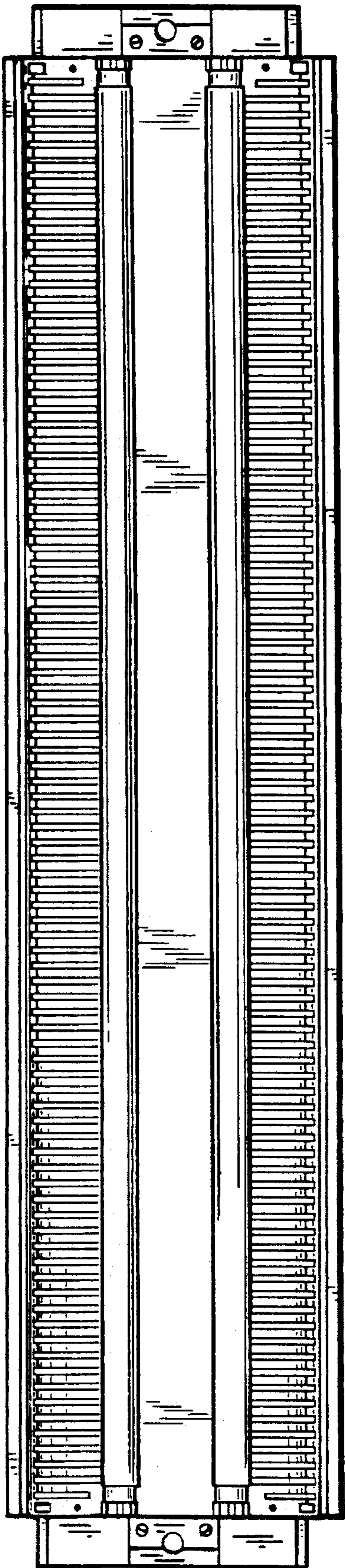


FIG. 2

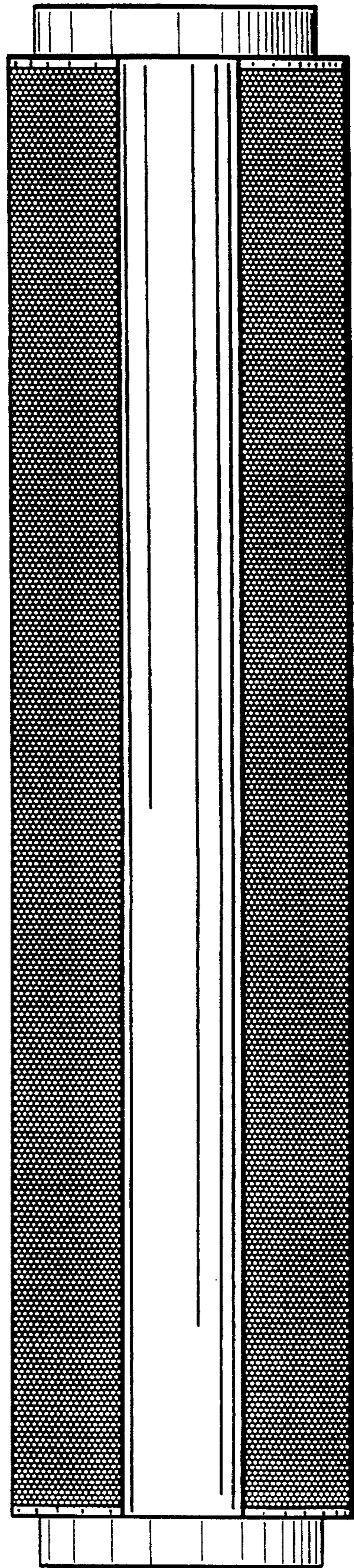


FIG. 3

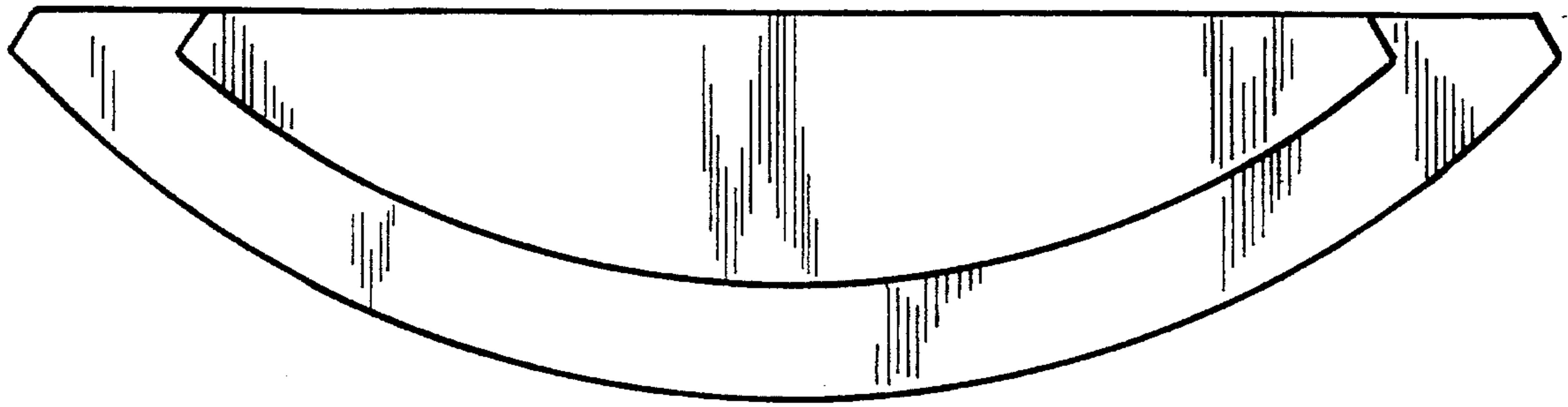


FIG. 4

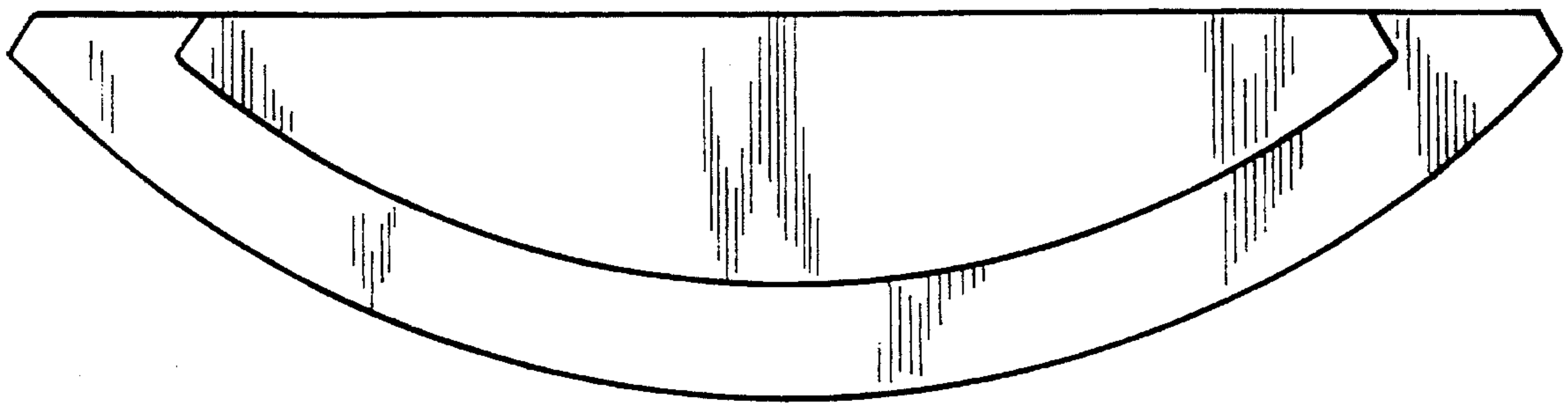


FIG. 5

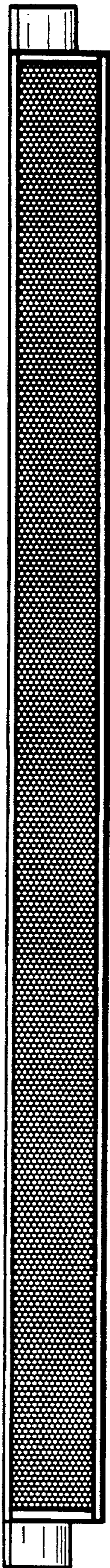


FIG. 6

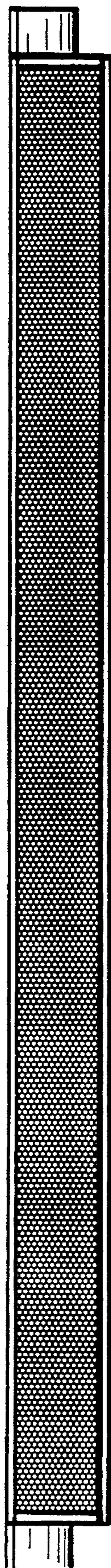


FIG. 7