



US00D363804S

United States Patent [19]

Parker et al.

[11] Patent Number: **Des. 363,804**

[45] Date of Patent: ****Oct. 31, 1995**

[54] FLOODLIGHT AND MOTION SENSOR COMBINATION

[75] Inventors: **Andrew J. Parker**, Chapel Hill;
Edward R. Small, Elon College, both
of N.C.

[73] Assignee: **Regent Lighting Corporation**,
Burlington, N.C.

[**] Term: **14 Years**

[21] Appl. No.: **30,344**

[22] Filed: **Oct. 27, 1994**

[52] U.S. Cl. **D26/63; D10/106**

[58] Field of Search **D26/61, 63, 65,**
D26/114, 106; 362/269, 275, 282, 285,
418, 419, 421, 427, 394

[56] References Cited

U.S. PATENT DOCUMENTS

D. 316,456	4/1991	DeCandia	D26/63
D. 342,337	12/1993	Wen	D26/63
5,217,296	6/1993	Tanner et al.	362/418 X

Primary Examiner—Susan J. Lucas

[57] CLAIM

The ornamental design for a floodlight and motion sensor combination, as shown and described.

DESCRIPTION

FIG. 1 is a front elevational view of the floodlight and motion sensor combination with both the floodlight and motion sensor aimed horizontally toward the viewer;

FIG. 2 is a front elevational view of the floodlight and motion sensor combination with the floodlight aimed horizontally toward the viewer and the motion sensor inclined slightly downwardly and aimed slightly downwardly with respect to a horizontal plane;

FIG. 3 is a side elevational view of the floodlight and motion sensor combination of FIG. 1, taken from the right-hand side of FIG. 1;

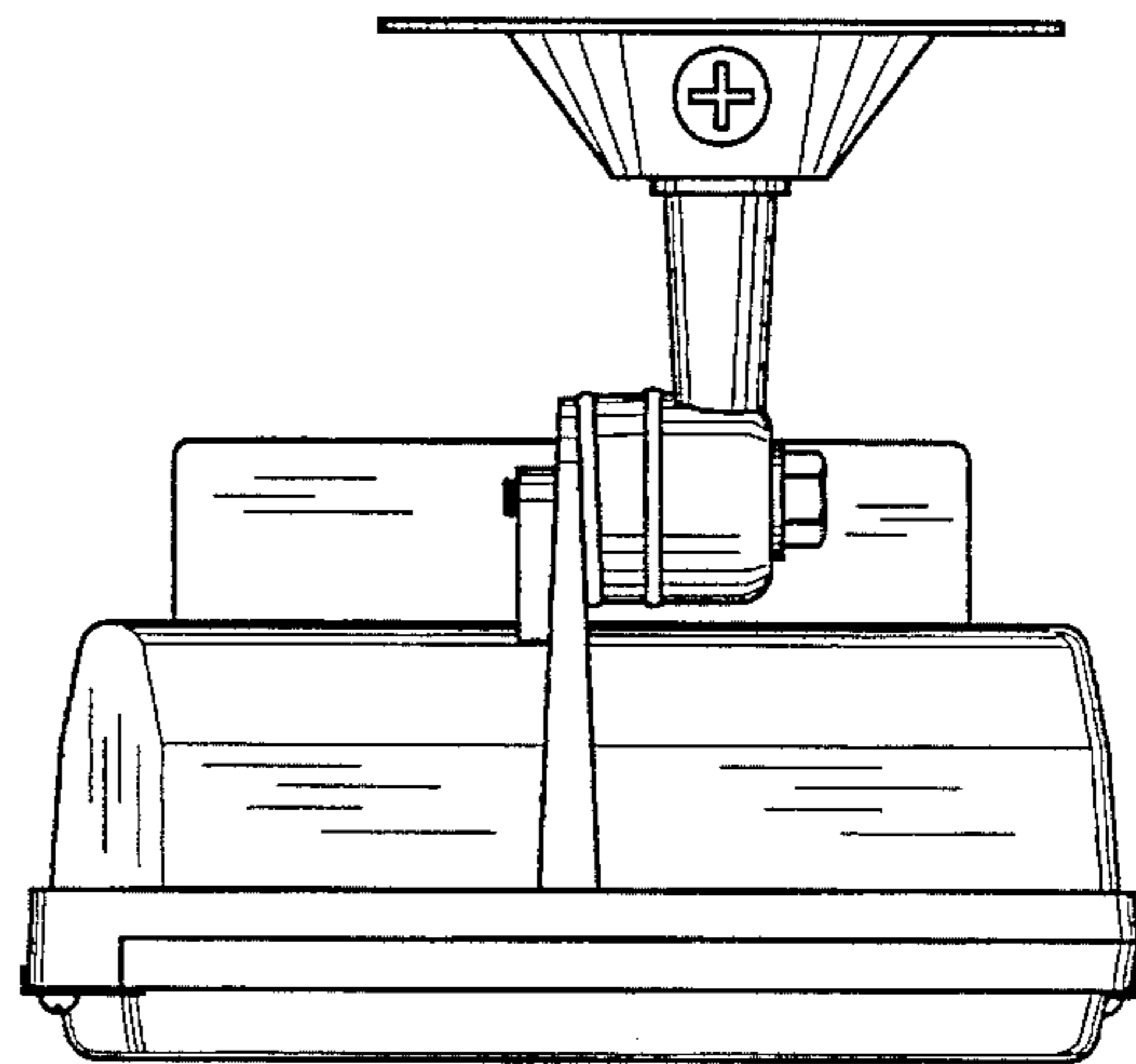
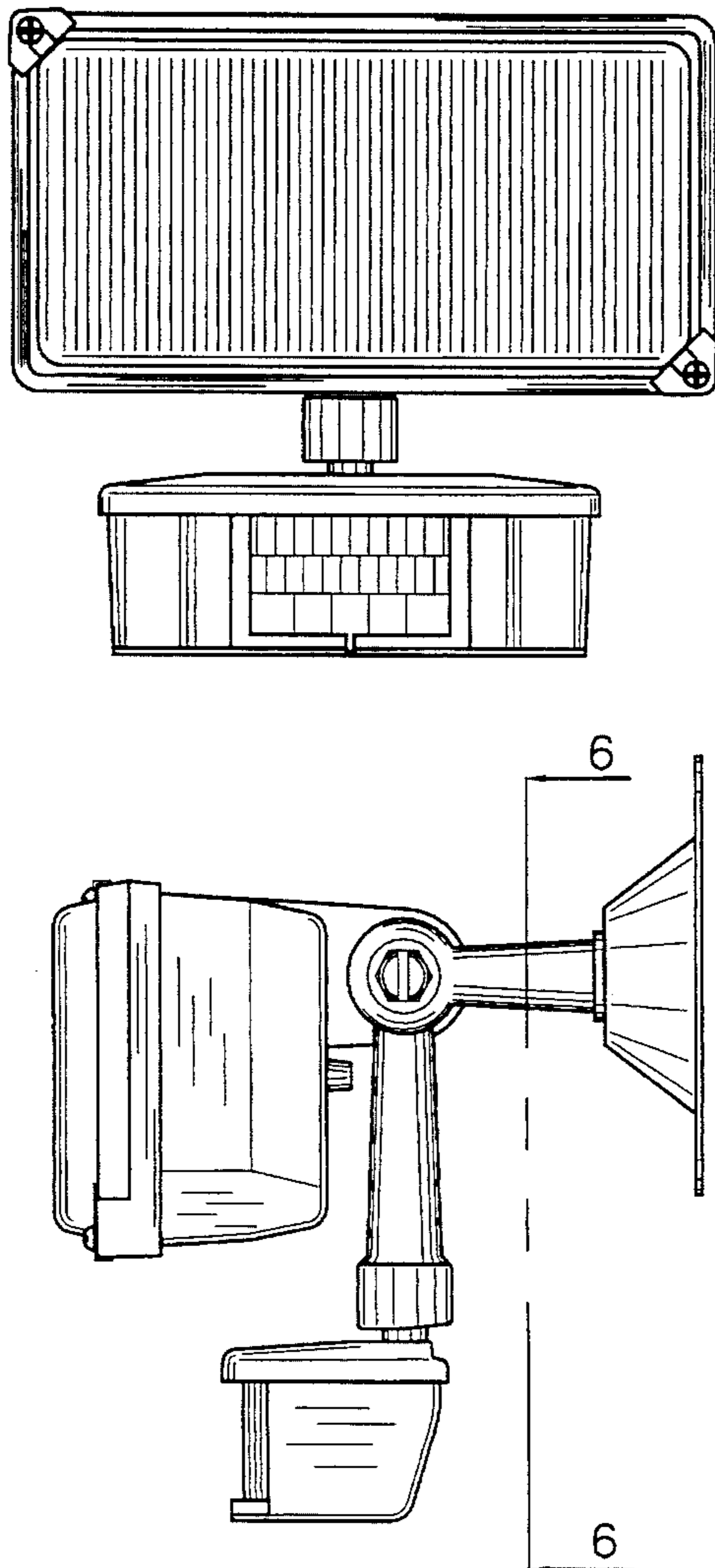
FIG. 4 is a top plan view of the combination of FIG. 3;

FIG. 5 is a bottom plan view of the combination of FIG. 1;

FIG. 6 is a sectional view taken along the line 6—6 of FIG. 3; and,

FIG. 7 is a side elevational view of the combination of FIGS. 1 and 4 taken from the left-hand side of FIG. 4.

1 Claim, 4 Drawing Sheets



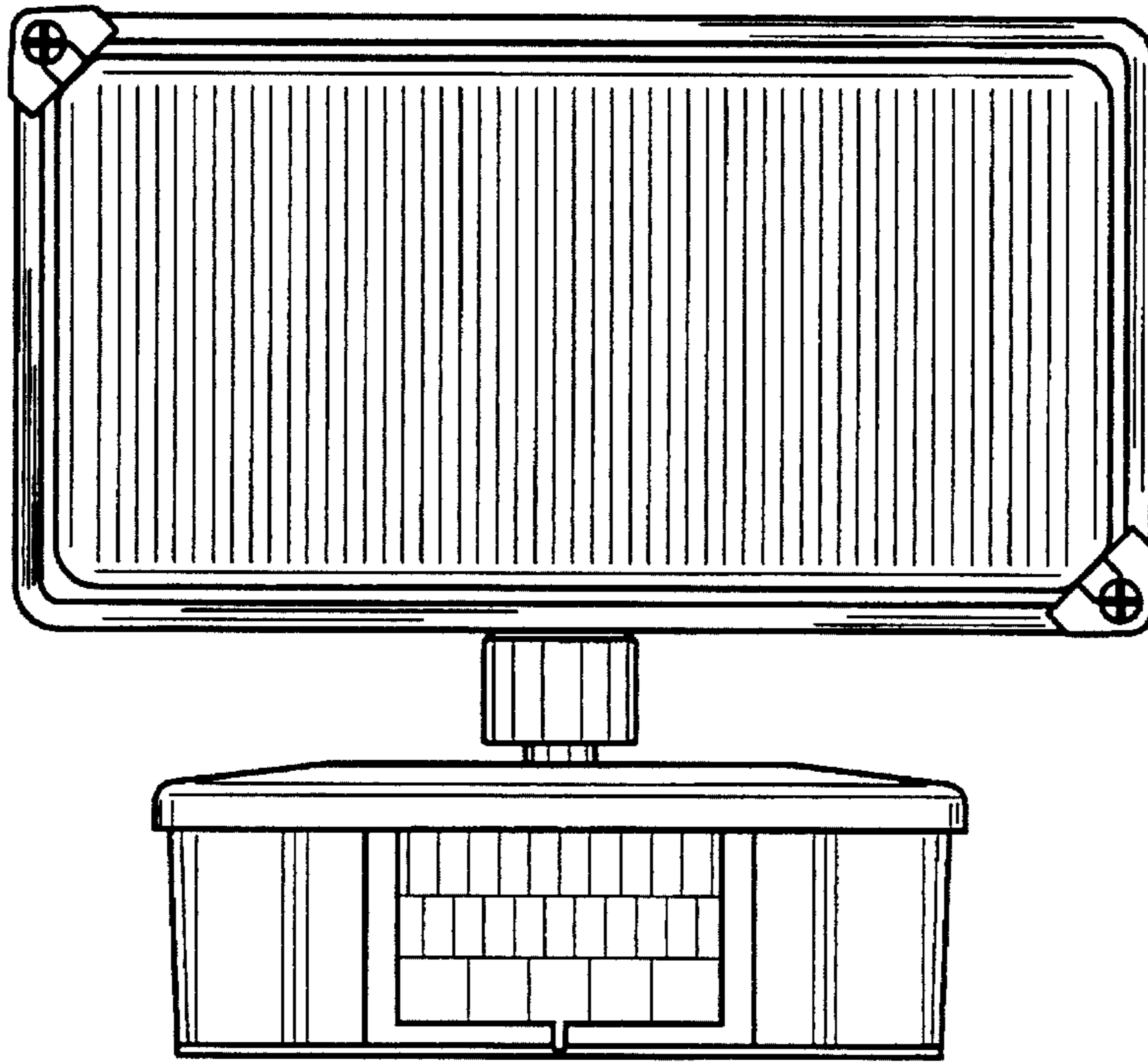


Fig. 1

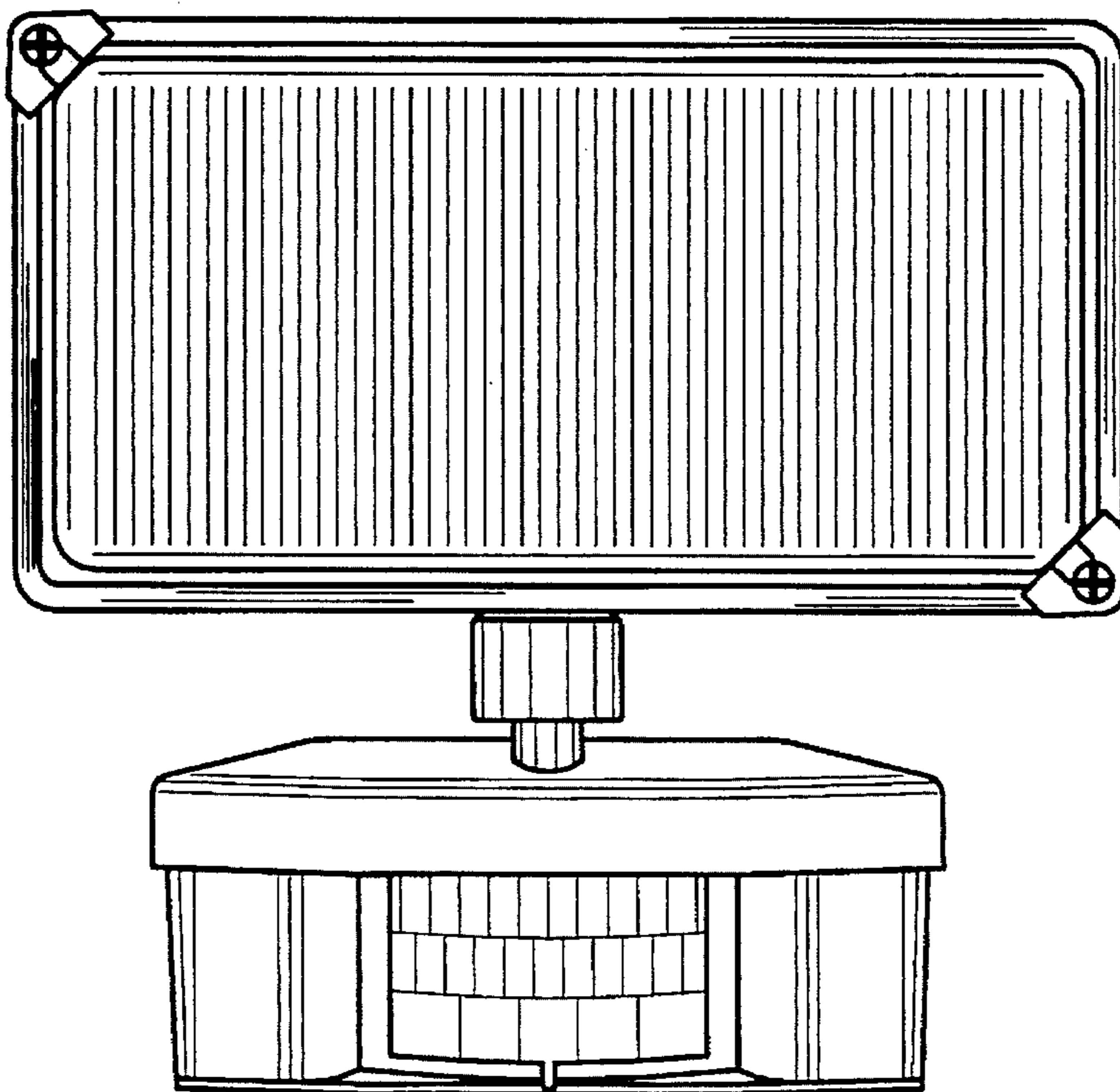


Fig. 2

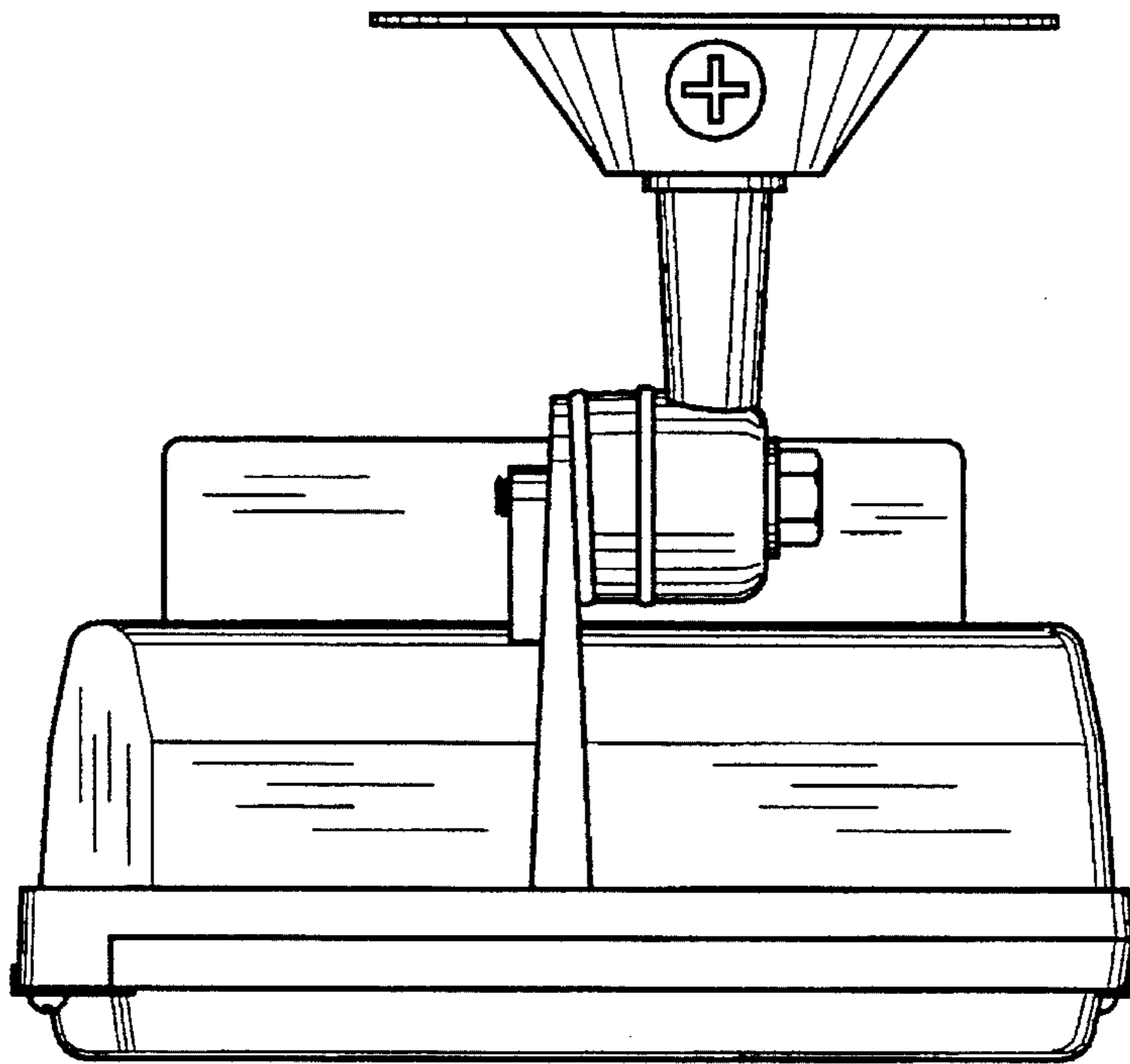


Fig. 4

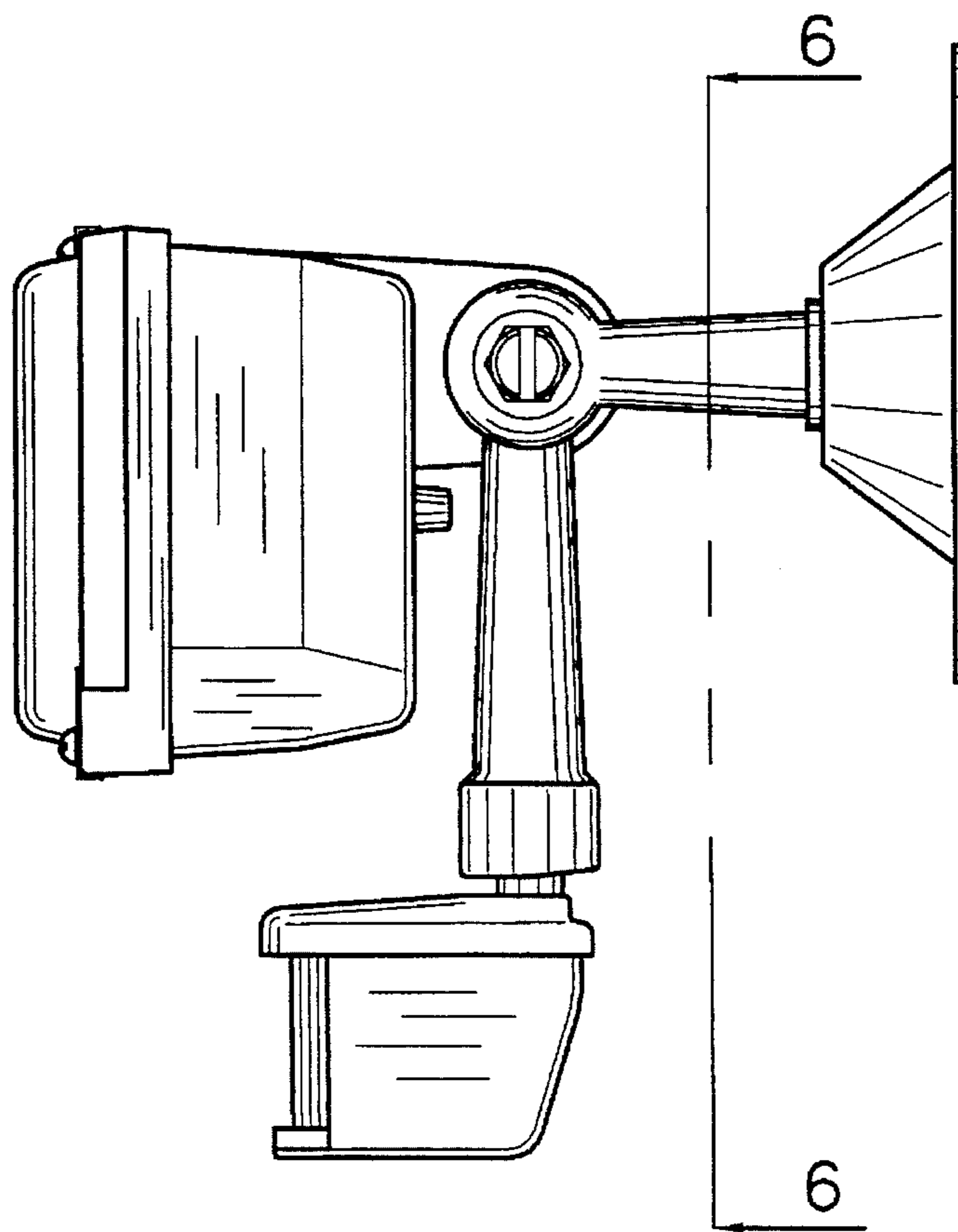


Fig. 3

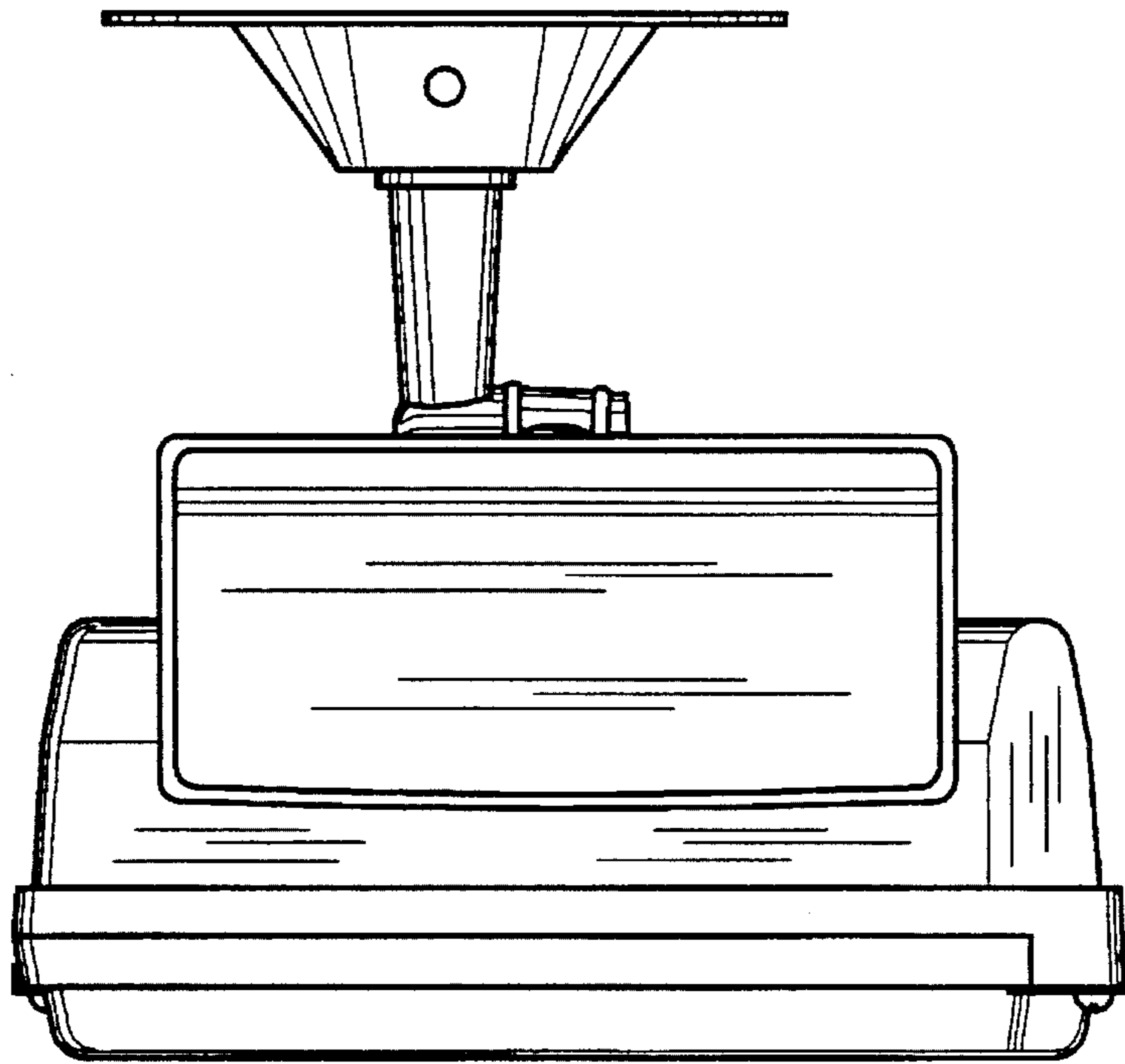


Fig. 5

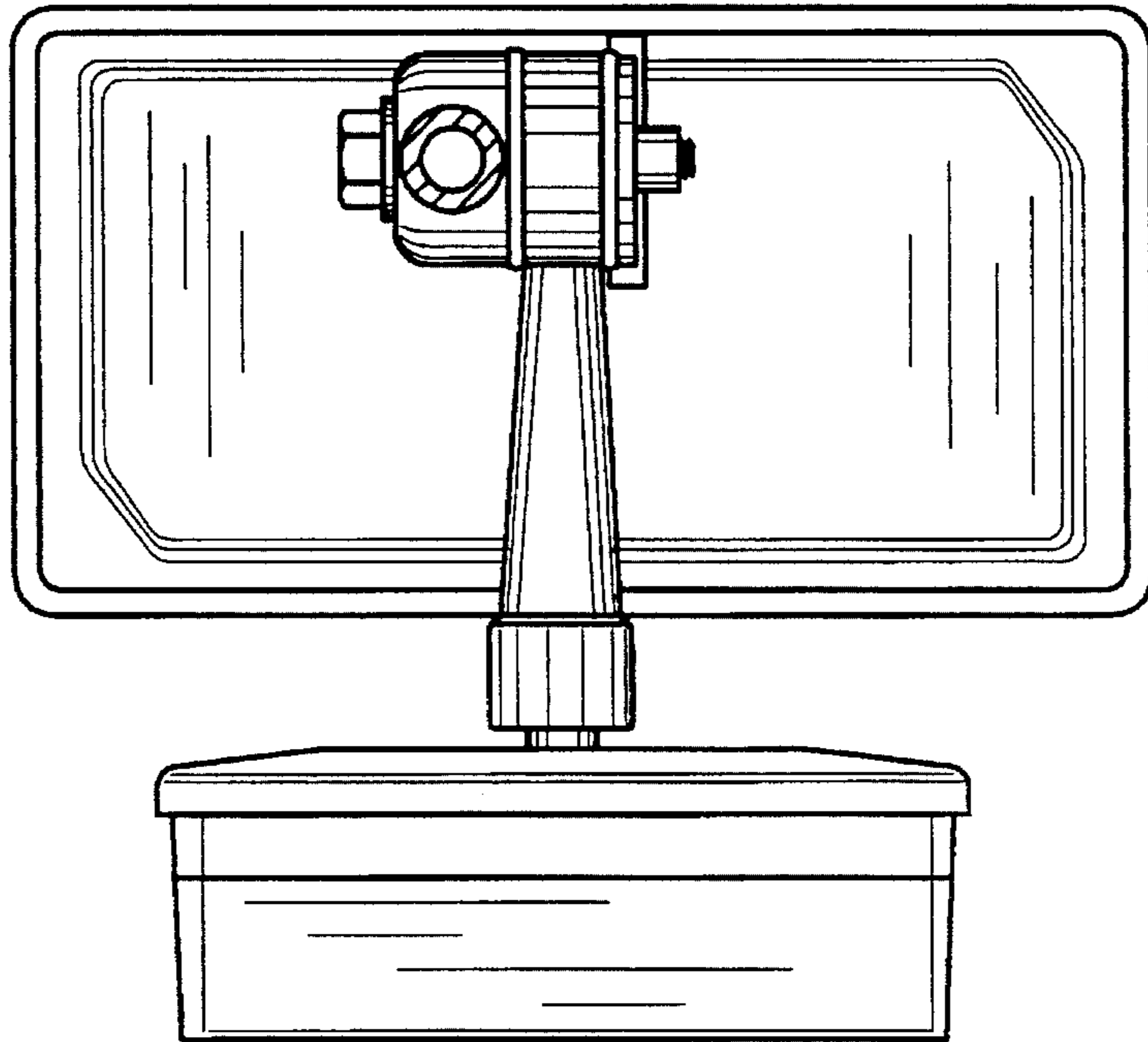


Fig. 6

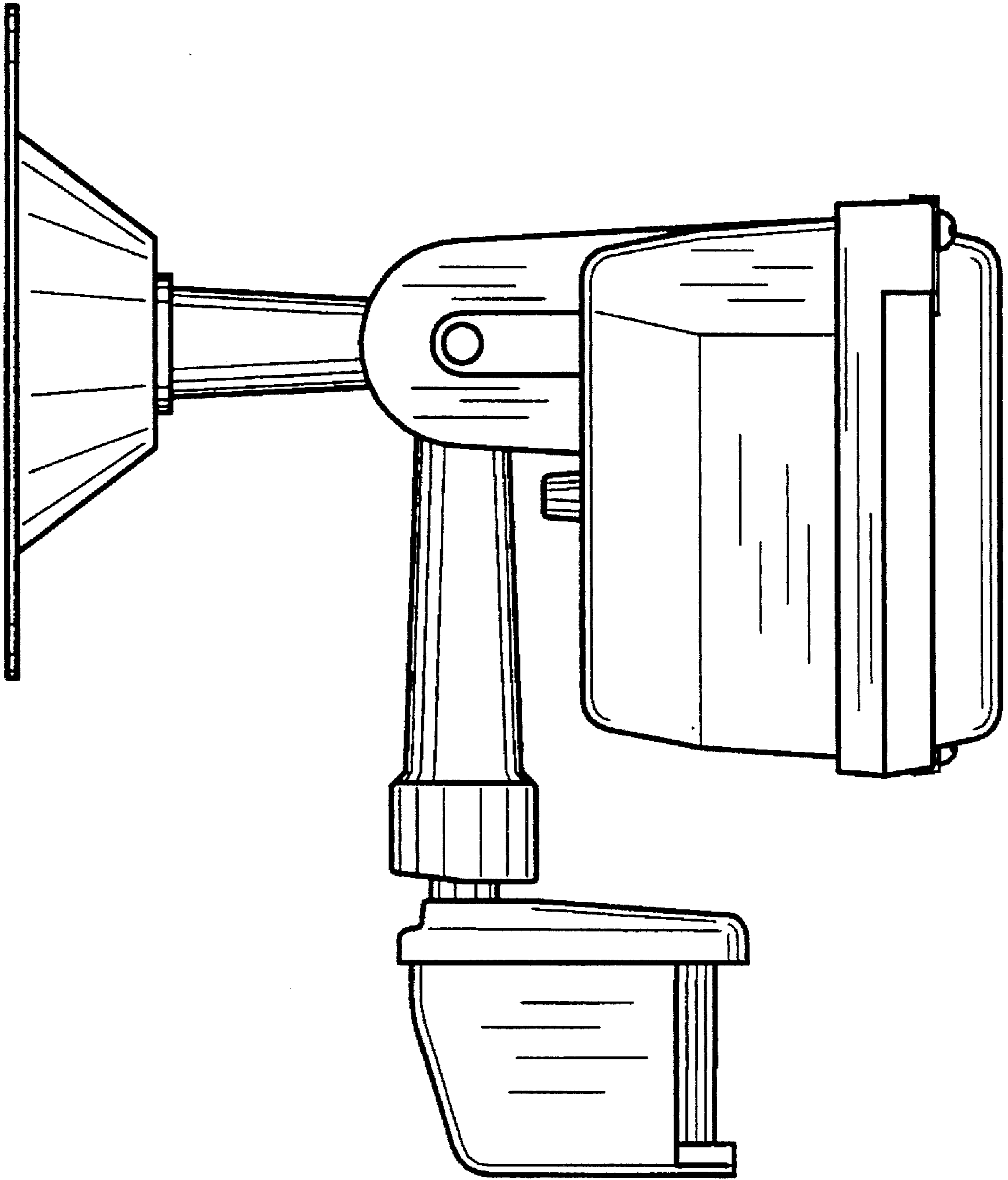


Fig. 7