



US00D363803S

**United States Patent** [19]  
**Kelly**

[11] **Patent Number: Des. 363,803**

[45] **Date of Patent: \*\*Oct. 31, 1995**

[54] **DECORATIVE LIGHT FOR PATIO  
UMBRELLA**

[76] Inventor: **Susan Kelly**, 93 Jacobs Creek Rd.,  
West Trenton, N.J. 08628

[\*\*] Term: **14 Years**

[21] Appl. No.: **26,934**

[22] Filed: **Aug. 8, 1994**

[52] U.S. Cl. .... **D26/60; D26/37**

[58] **Field of Search** ..... D26/37-50, 72,  
D26/80, 81, 85, 88, 87, 67, 60; 362/157,  
158, 183, 184, 187-202, 396, 431

[56] **References Cited**

**U.S. PATENT DOCUMENTS**

D. 276,658	12/1984	Yuen	.....	D26/37
D. 283,647	4/1986	Schumann	.....	D26/37
4,292,664	9/1981	Mack	.....	362/183 X

**FOREIGN PATENT DOCUMENTS**

987659	4/1951	France	.....	362/183
--------	--------	--------	-------	---------

*Primary Examiner*—Susan J. Lucas  
*Attorney, Agent, or Firm*—Sperry, Zoda & Kane

[57] **CLAIM**

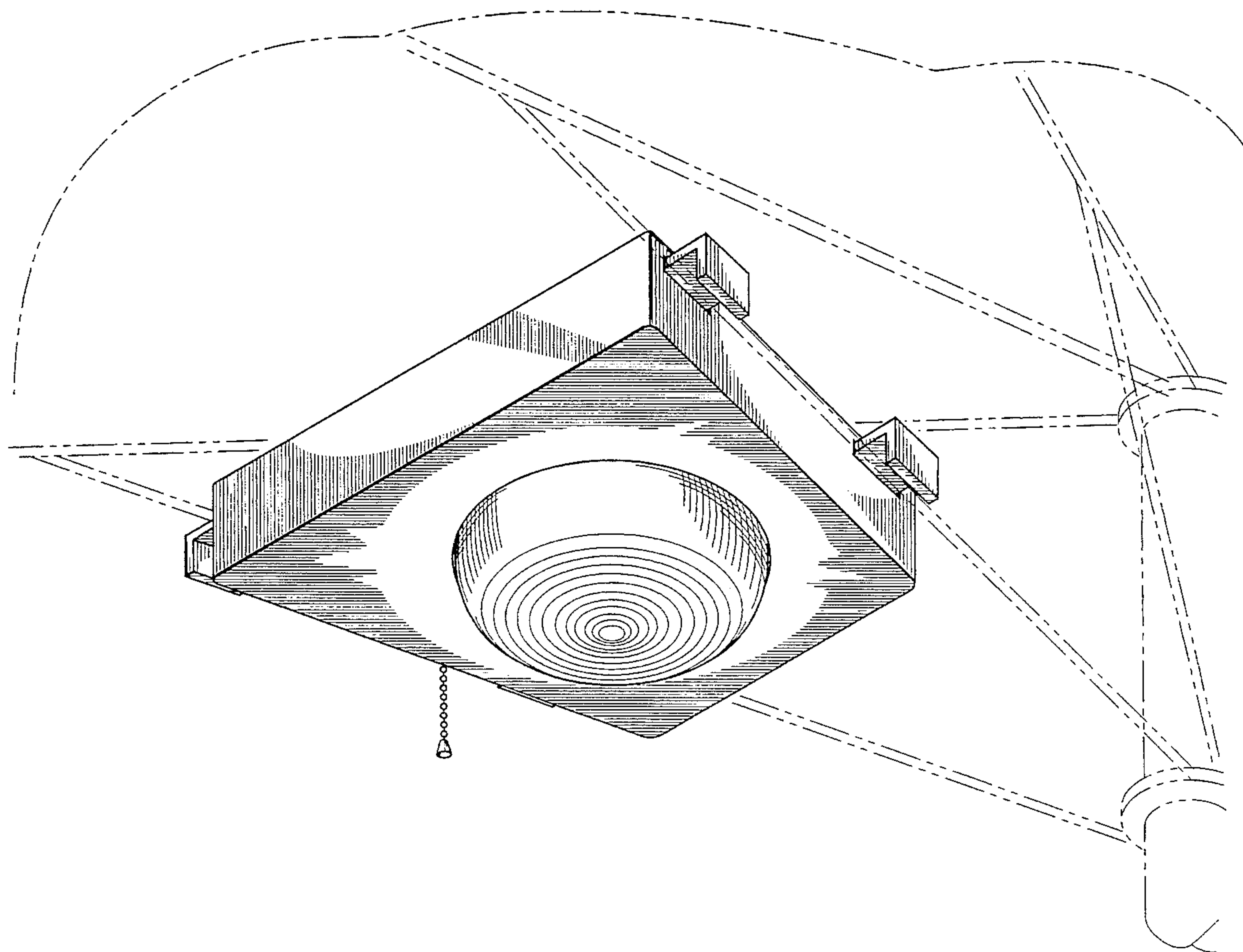
The ornamental design for a decorative light for patio umbrella, as shown and described.

**DESCRIPTION**

FIG. 1 is a front perspective view of my new design;  
FIG. 2 is a front elevational view;  
FIG. 3 is a bottom plan view;  
FIG. 4 is a rear elevational view;  
FIG. 5 is a side elevational view from the left as shown in FIG. 2;  
FIG. 6 is a top plan view; and,  
FIG. 7 is a side elevational view from the right as shown in FIG. 2.

The broken lines are shown for illustrative purposes only and form no part of the claimed design.

**1 Claim, 3 Drawing Sheets**



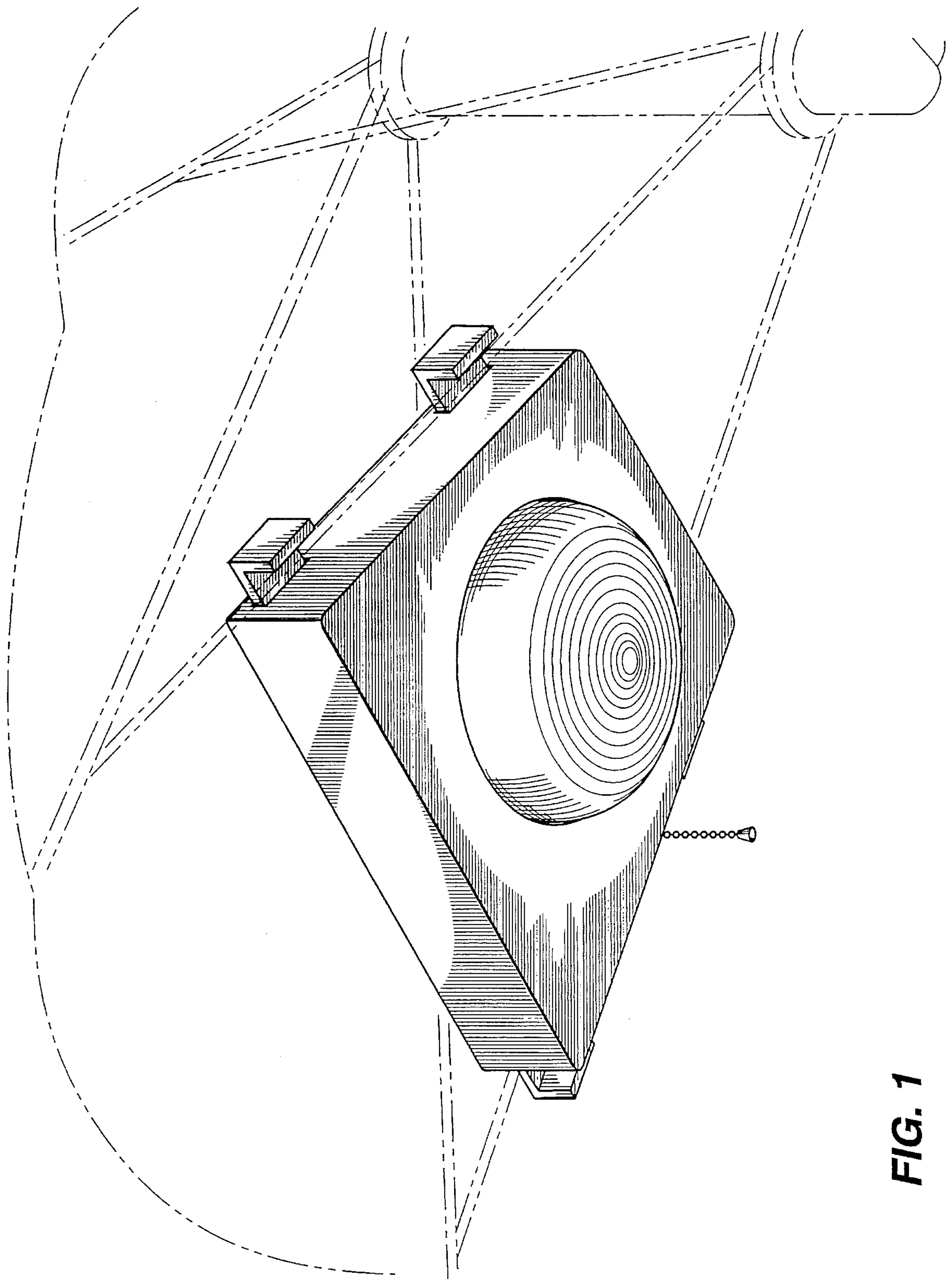
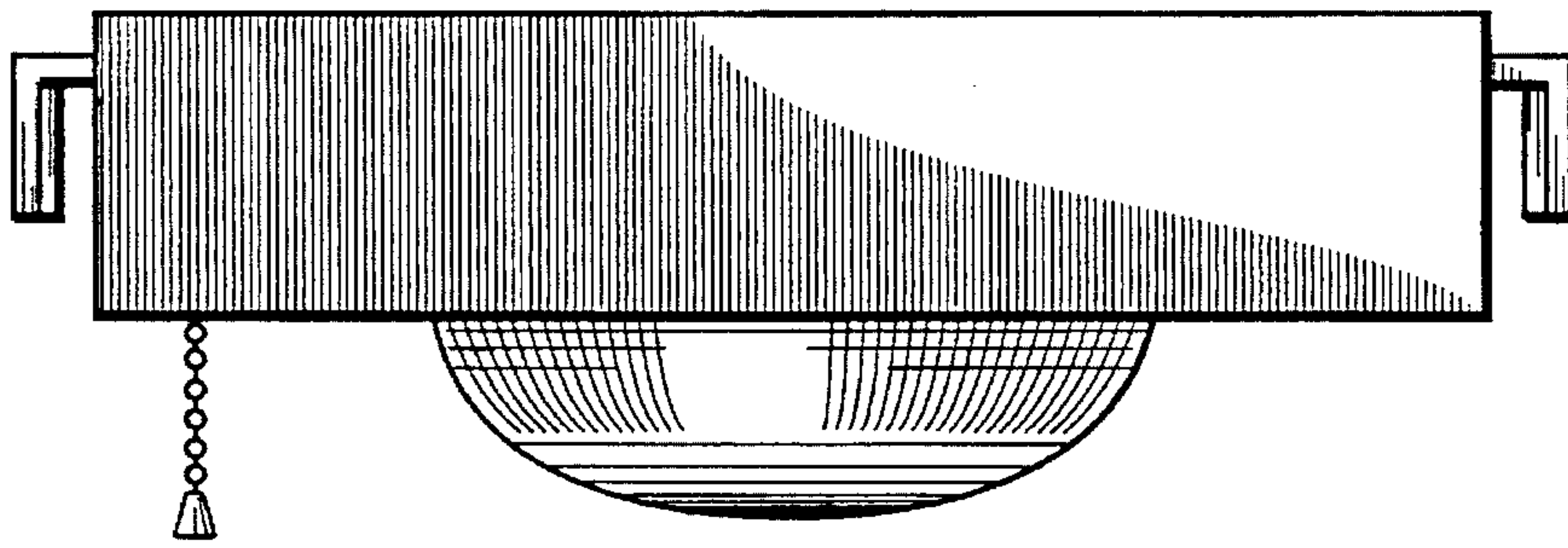
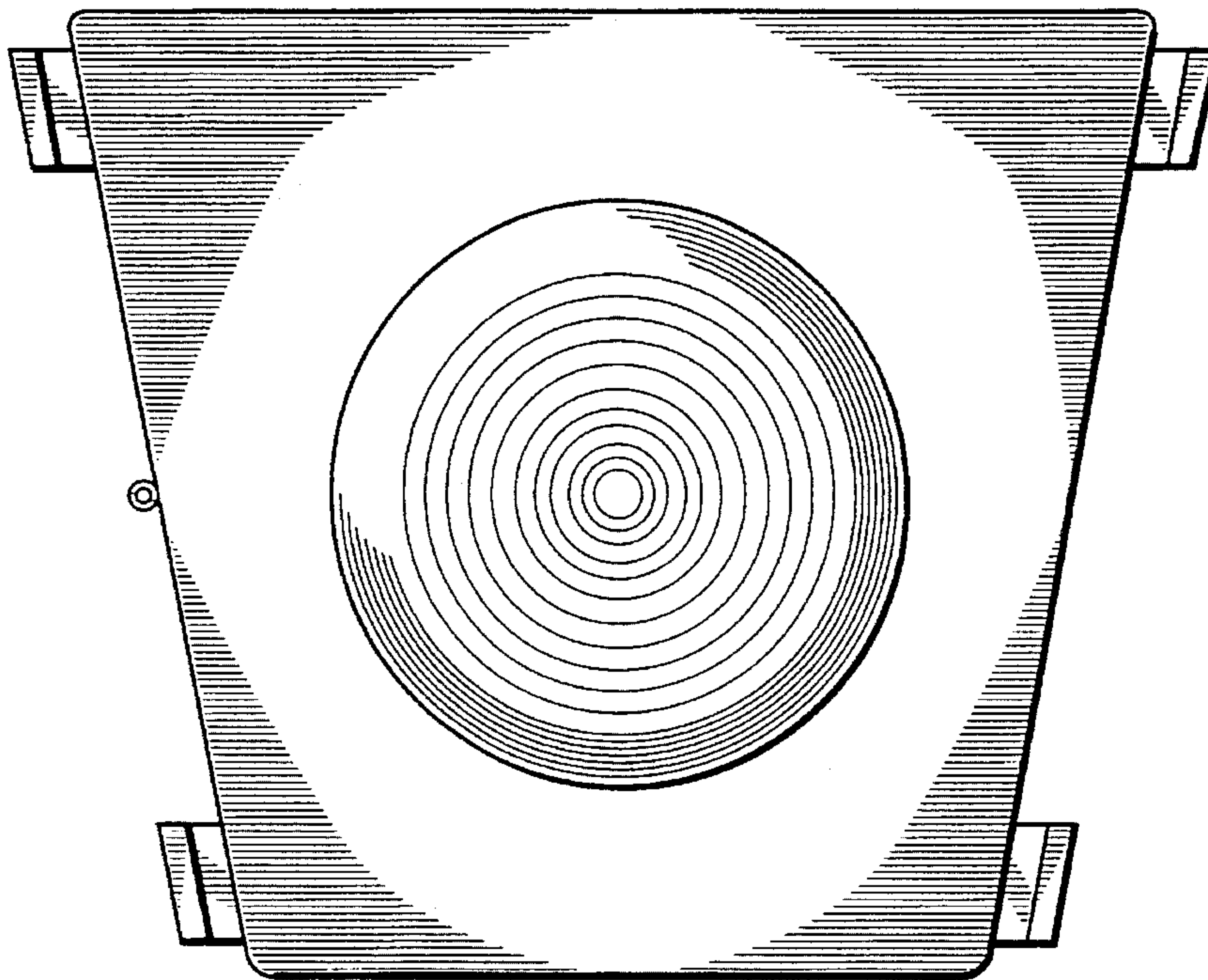


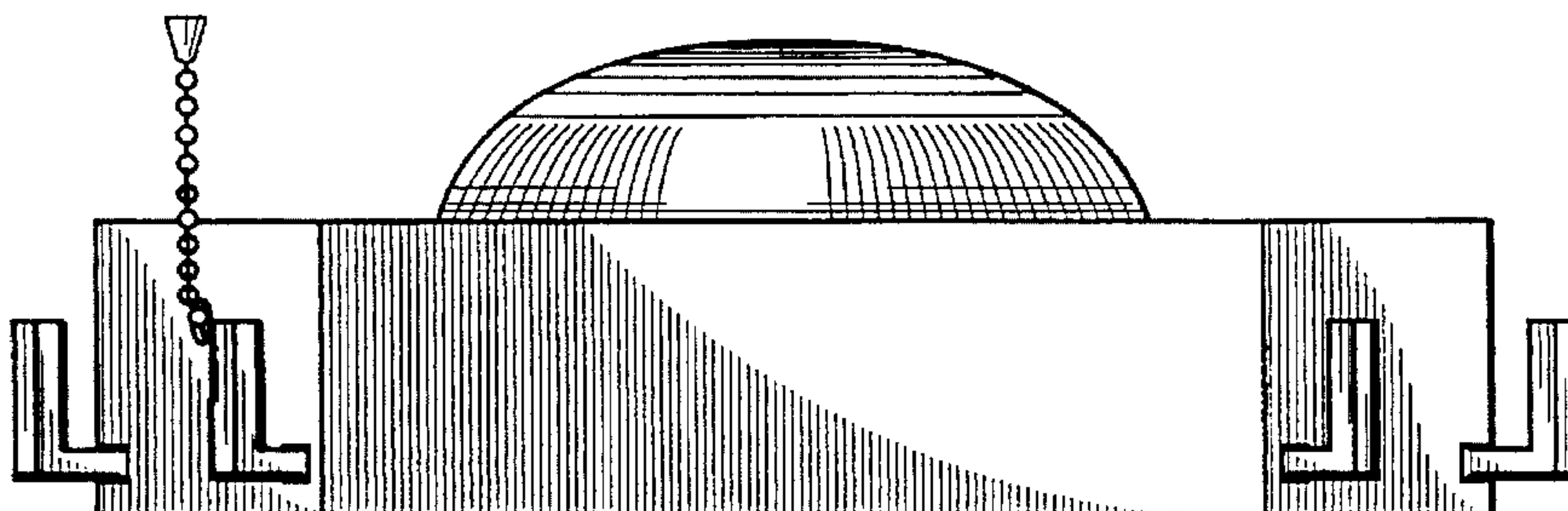
FIG. 1



**FIG. 2**



**FIG. 3**



**FIG. 4**



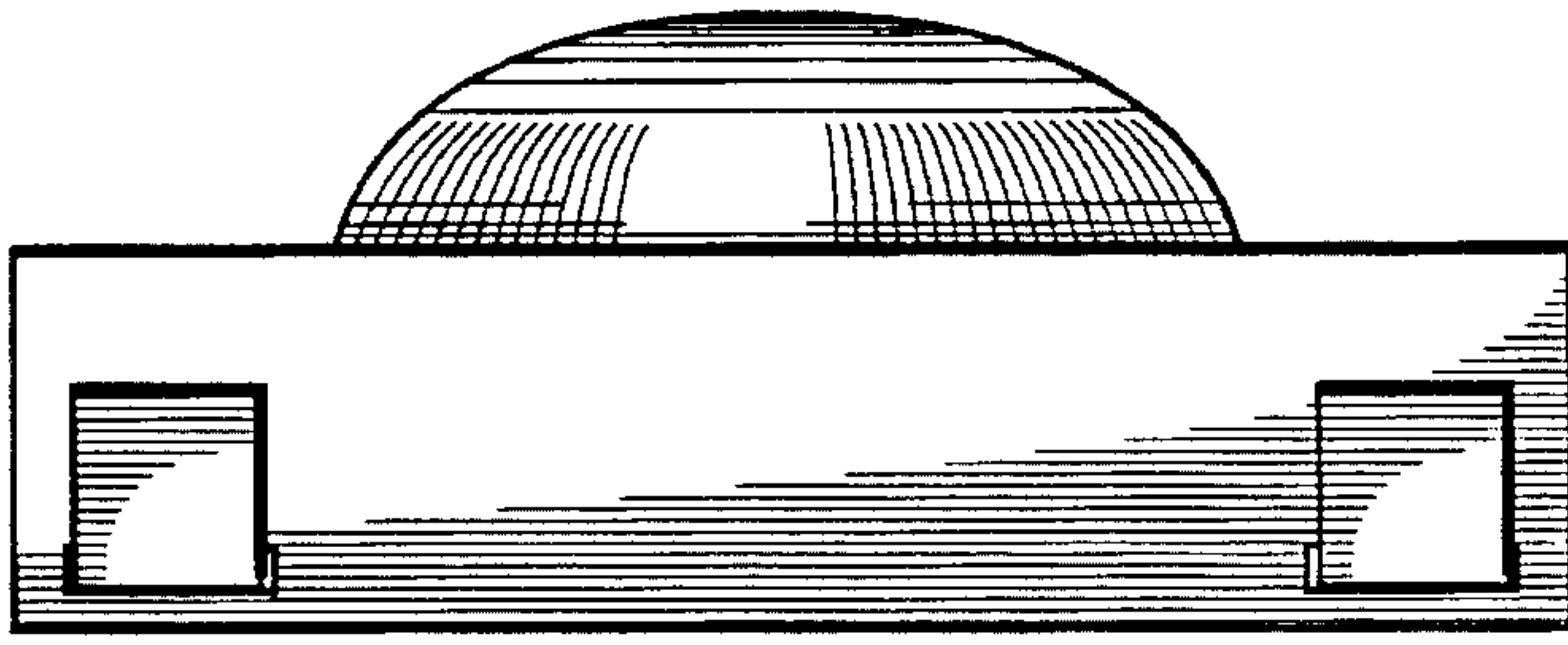


FIG. 5

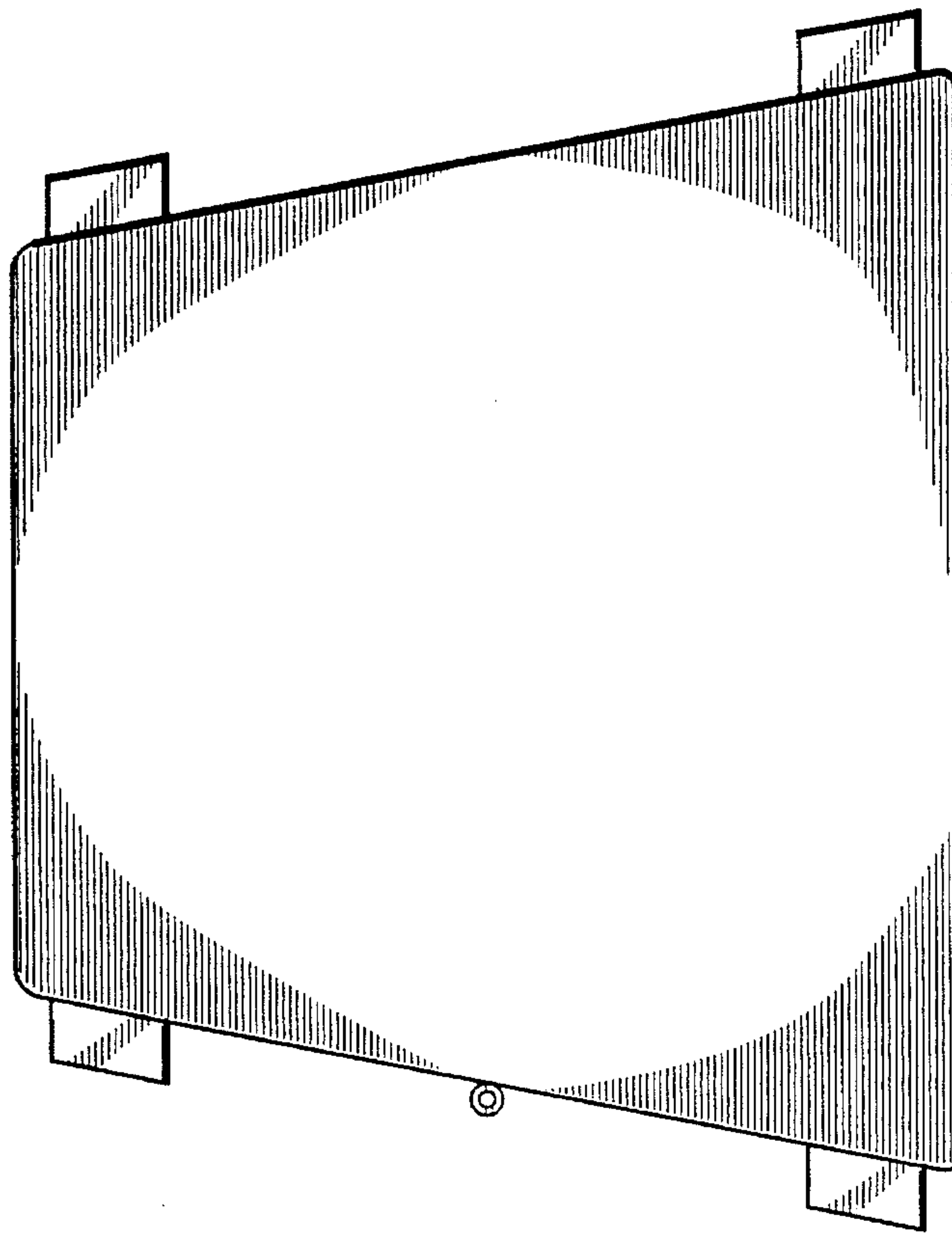


FIG. 6

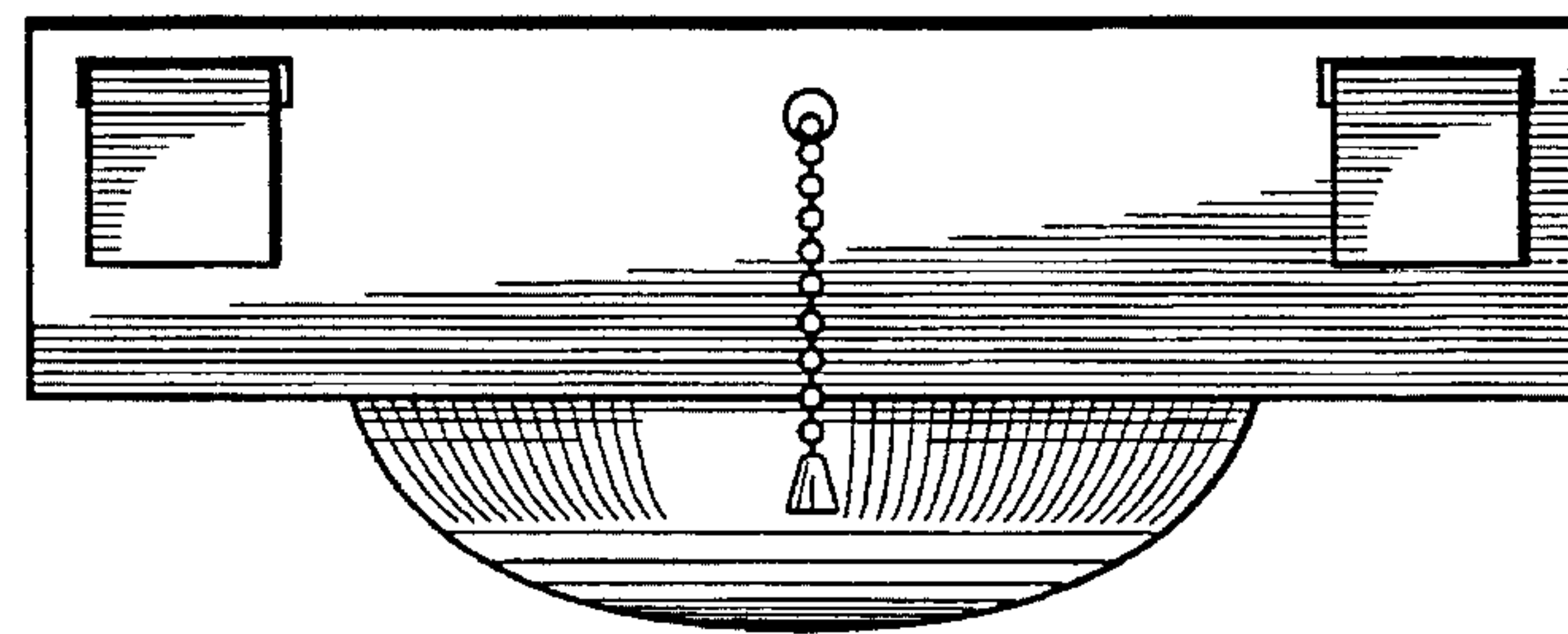


FIG. 7