



US00D363802S

United States Patent [19]
Murata

[11] **Patent Number: Des. 363,802**
[45] **Date of Patent: **Oct. 31, 1995**

[54] **DECORATIVE LAMP FOR LIGHT STRIP**

[75] Inventor: **Kazuaki Murata**, Tokyo, Japan

[73] Assignee: **Moriyama Sangyo Kabushiki Kaisha**,
Tokyo, Japan

[**] Term: **14 Years**

[21] Appl. No.: **19,926**

[22] Filed: **Mar. 15, 1994**

[52] U.S. Cl. **D26/25**

[58] **Field of Search** D26/25, 24; 362/227,
362/236, 237, 238, 240, 249, 250, 252,
806

[56] **References Cited**

U.S. PATENT DOCUMENTS

4,136,377 1/1979 Fohl 362/250
4,654,766 3/1987 Tung 362/249

Primary Examiner—Susan J. Lucas

Attorney, Agent, or Firm—Spencer, Frank & Schneider;
Christopher H. Lynt

[57] **CLAIM**

The ornamental design for the decorative lamp for light strip, as shown and described.

DESCRIPTION

FIG. 1 is a perspective view of the decorative lamp for light strip seen from its front showing my new design;
FIG. 2 is a plan view thereof;
FIG. 3 is a front view thereof;
FIG. 4 is a bottom view thereof;
FIG. 5 is a rear view thereof;
FIG. 6 is a right-hand side view thereof;
FIG. 7 is a left-hand side view thereof;
FIG. 8 is a sectional view thereof; and,
FIG. 9 is a front view of the decorative lamp on a reduced scale, the additional lamps forming a strip being shown in broken lines for illustrative purposes only.

1 Claim, 4 Drawing Sheets

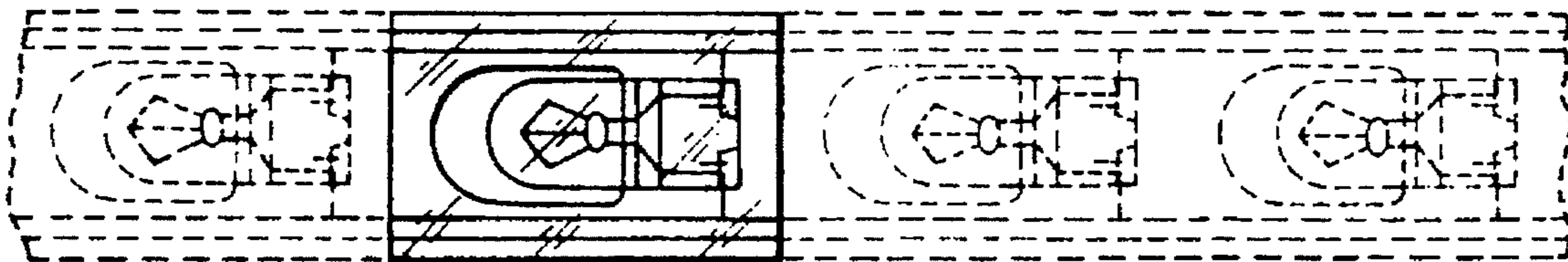
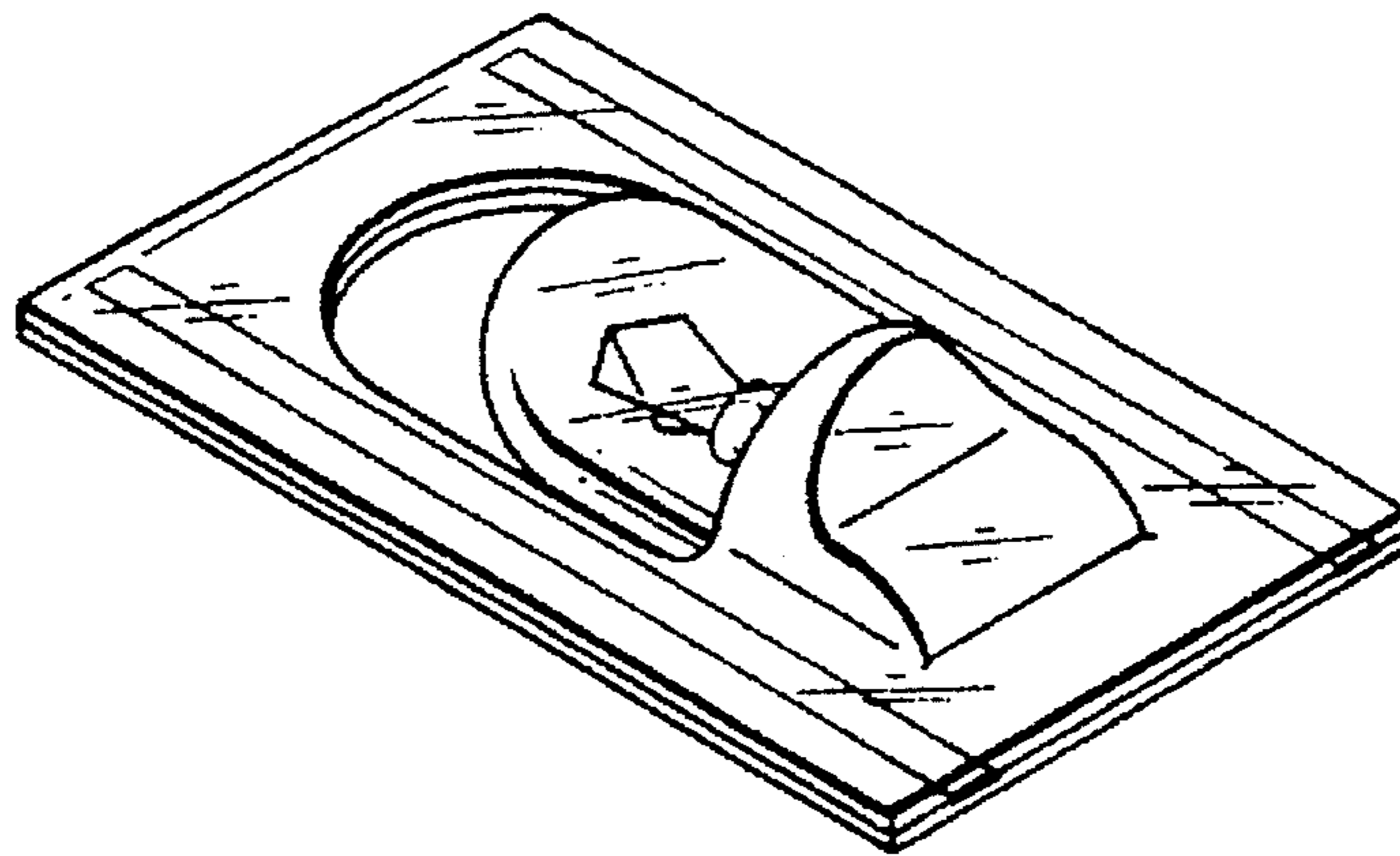


FIG. 1

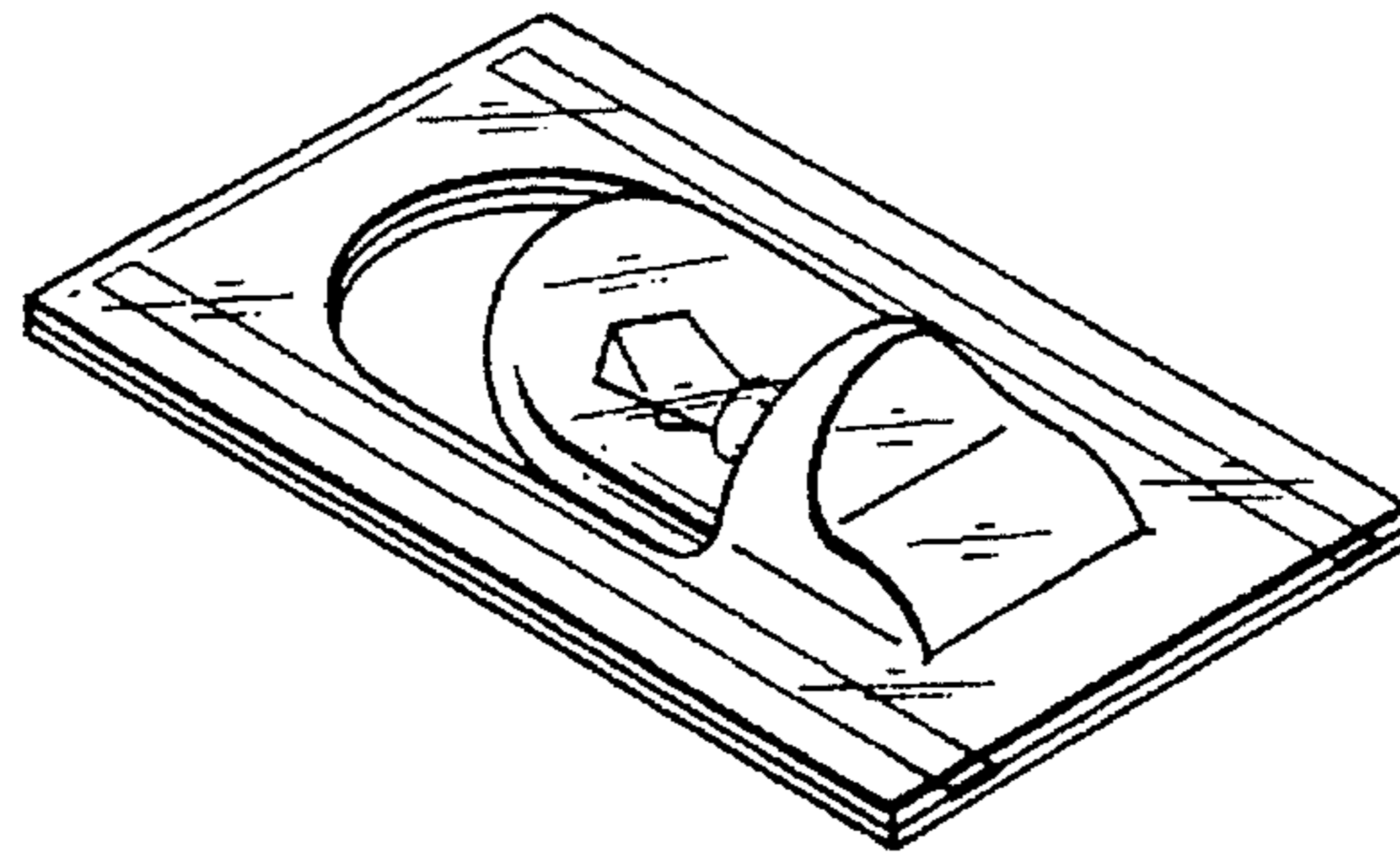


FIG. 2

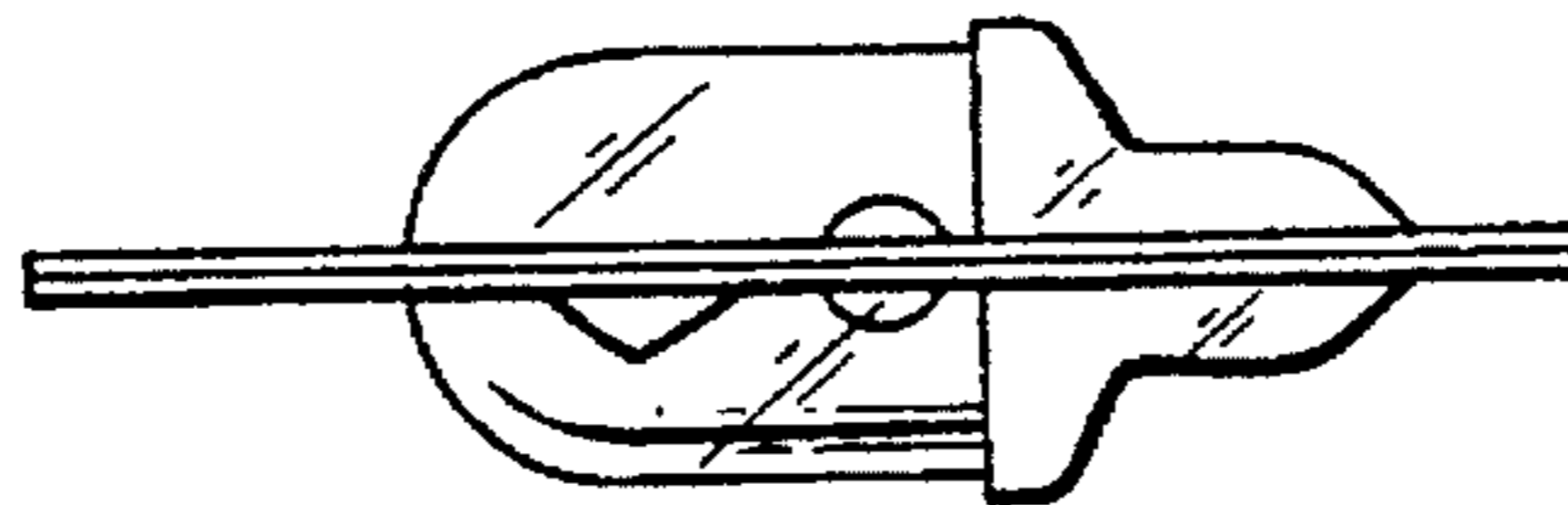


FIG. 3

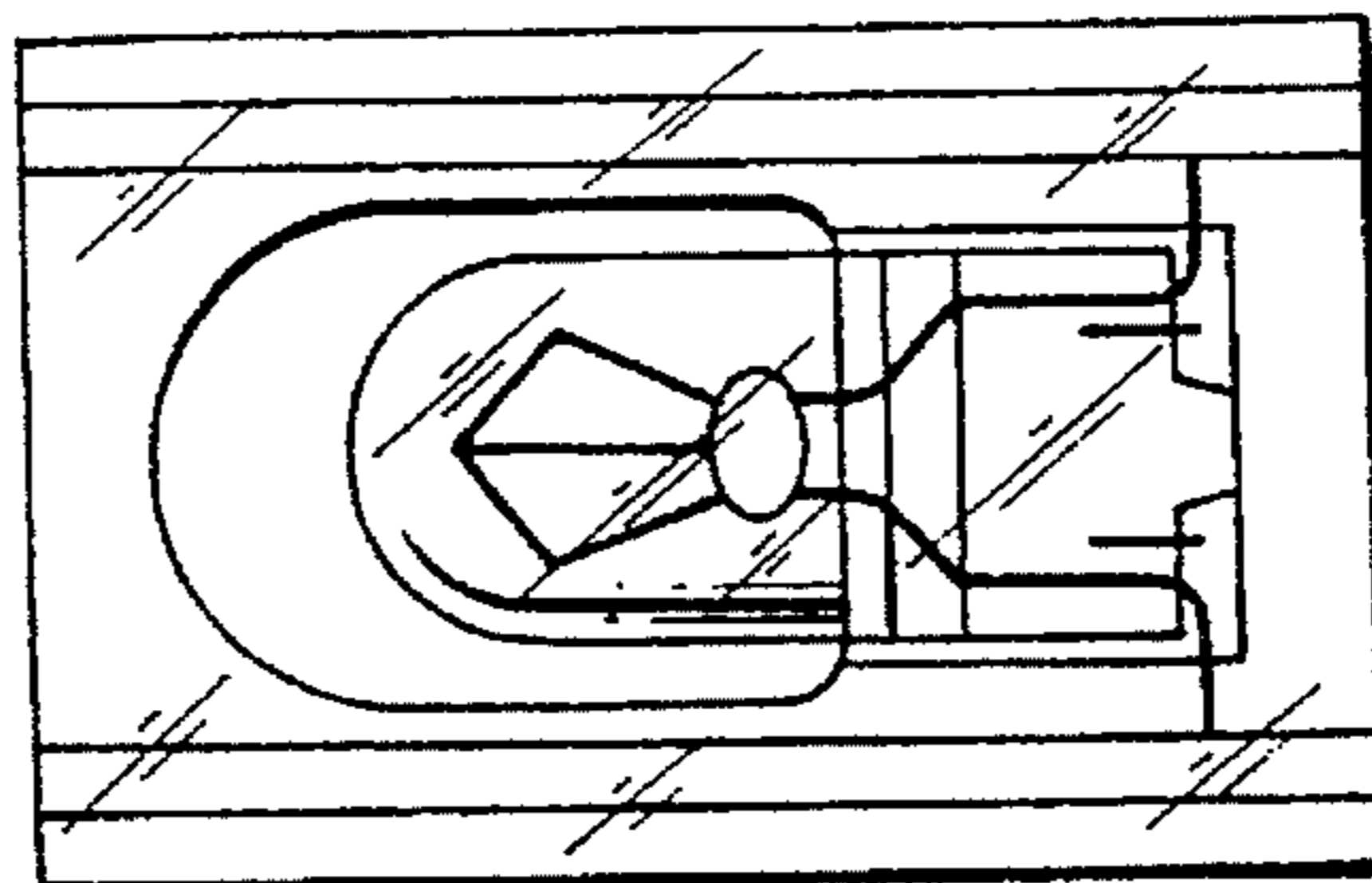


FIG. 4

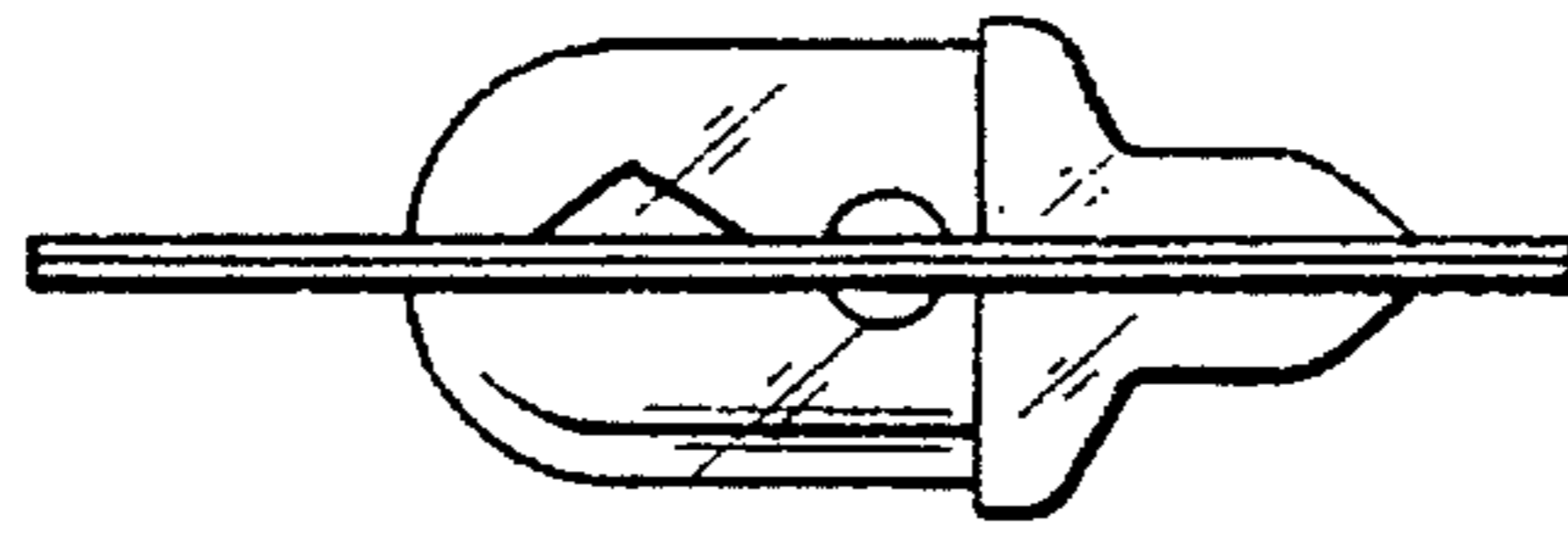


FIG. 5

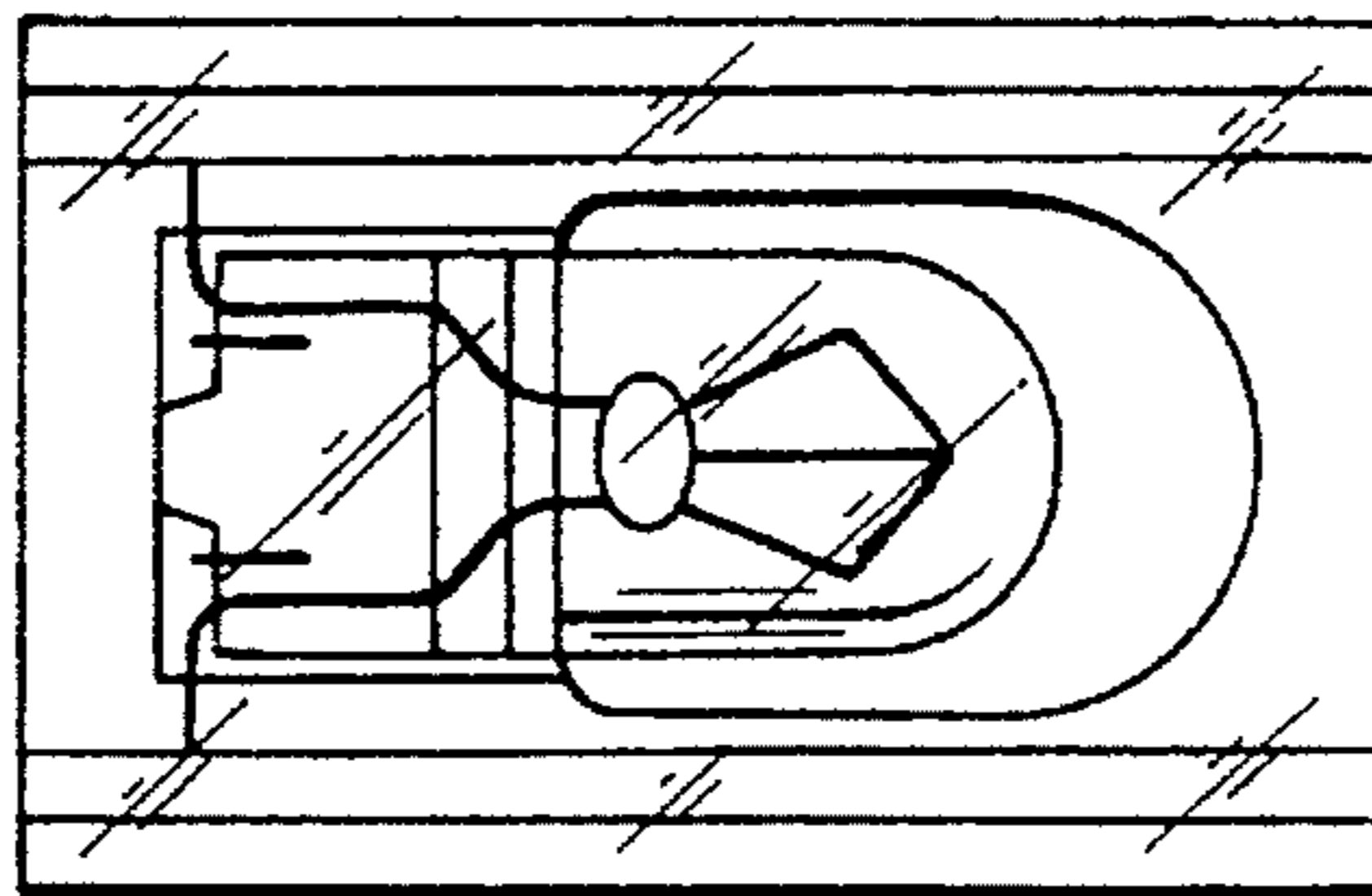


FIG. 6

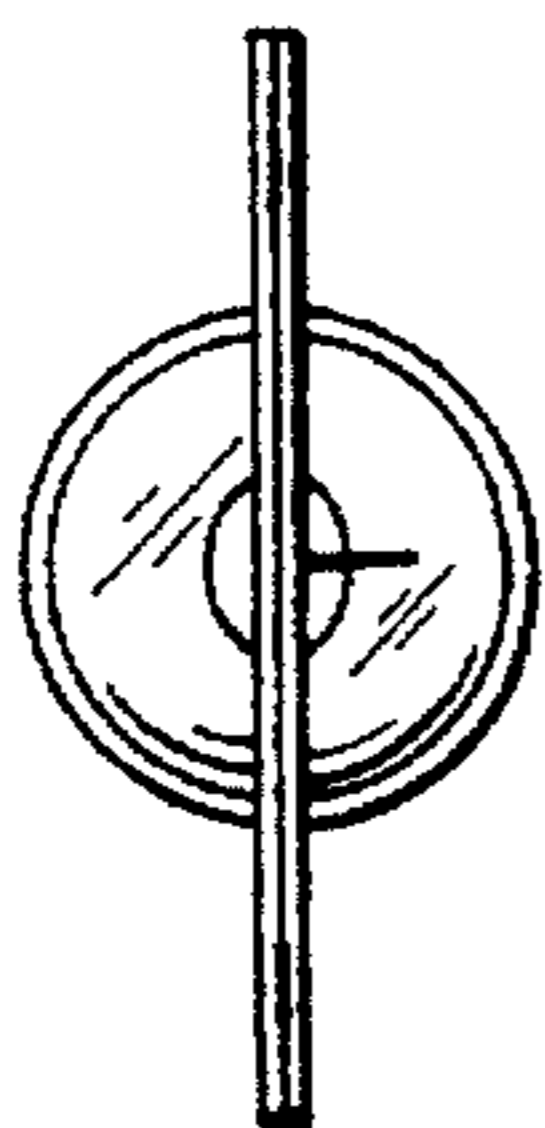


FIG. 7

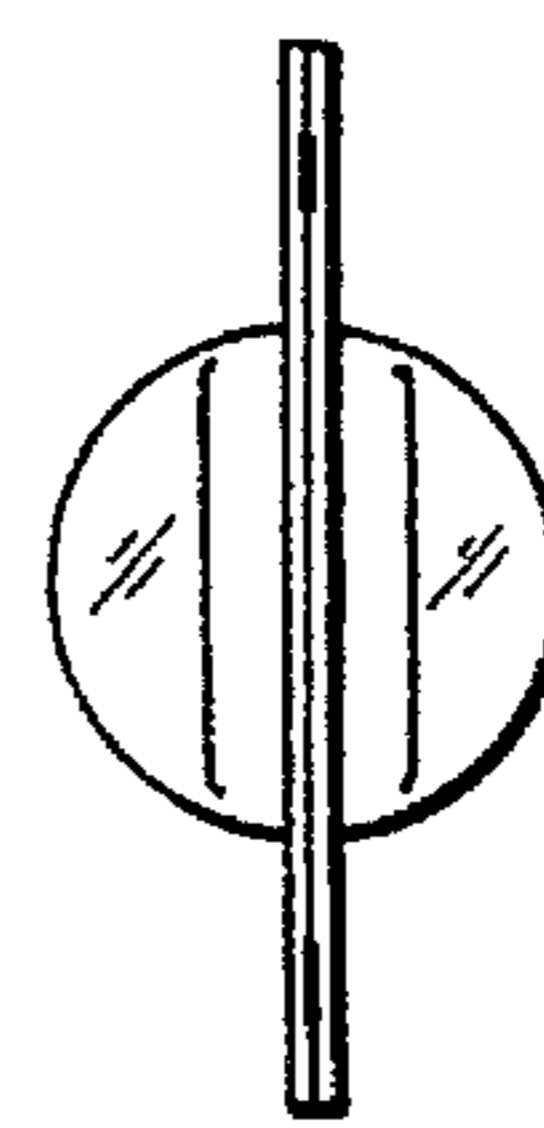


FIG. 8

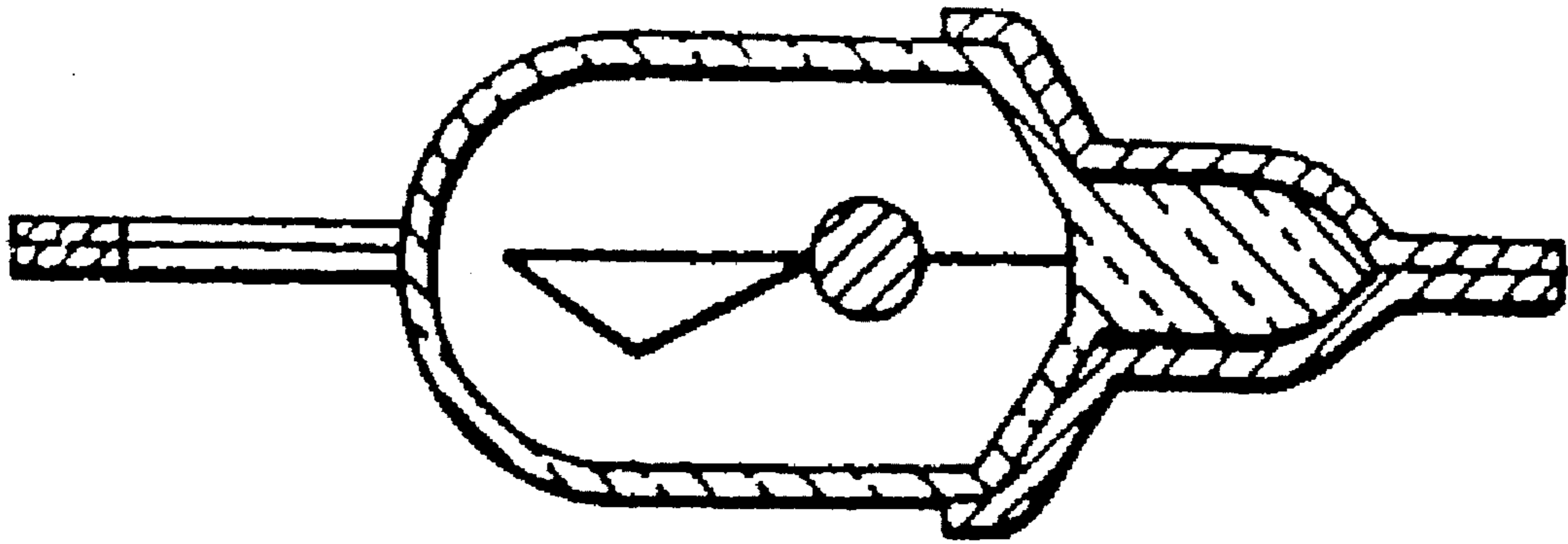


FIG. 9

