



US00D363797S

United States Patent [19] Bancroft

[11] **Patent Number: Des. 363,797**
[45] **Date of Patent: *** Oct. 31, 1995**

[54] **PRY GUARD HEADER ELEMENT**

3,911,622 10/1975 Prohaska 49/383

[76] Inventor: **Joseph C. Bancroft**, 102 Sweetwater Club Blvd., Longwood, Fla. 32750

Primary Examiner—Doris Clark
Attorney, Agent, or Firm—Macdonald J. Wiggins

[*] Notice: The portion of the term of this patent subsequent to Jun. 27, 2004, has been disclaimed.

[57] **CLAIM**

The ornamental design for a pry guard header element, as shown and described.

[**] Term: **14 Years**

DESCRIPTION

[21] Appl. No.: **30,879**

FIG. 1 is a fragmentary top perspective view of the pry guard header element showing my design;

[22] Filed: **Nov. 10, 1994**

FIG. 2 is a top plan view thereof broken away to indicate indeterminate length;

[52] U.S. Cl. **D25/124**

FIG. 3 is a bottom plan view thereof broken away to indicate indeterminate length;

[58] **Field of Search** D25/124; 49/26-28, 49/50, 56, 124, 383, 462, 507; 16/250, 137

FIG. 4 is a front elevation view thereof in which the rear elevational view is a mirror image of the front view;

FIG. 5 is a right elevational view thereof broken away to indicate indeterminate length; and,

[56] **References Cited**

U.S. PATENT DOCUMENTS

2,557,716	6/1951	Allee	16/137
2,910,741	11/1959	Dettman	16/250
3,680,937	8/1972	Steeley	49/383

FIG. 6 is a left elevational view thereof broken away to indicate indeterminate length.

1 Claim, 1 Drawing Sheet

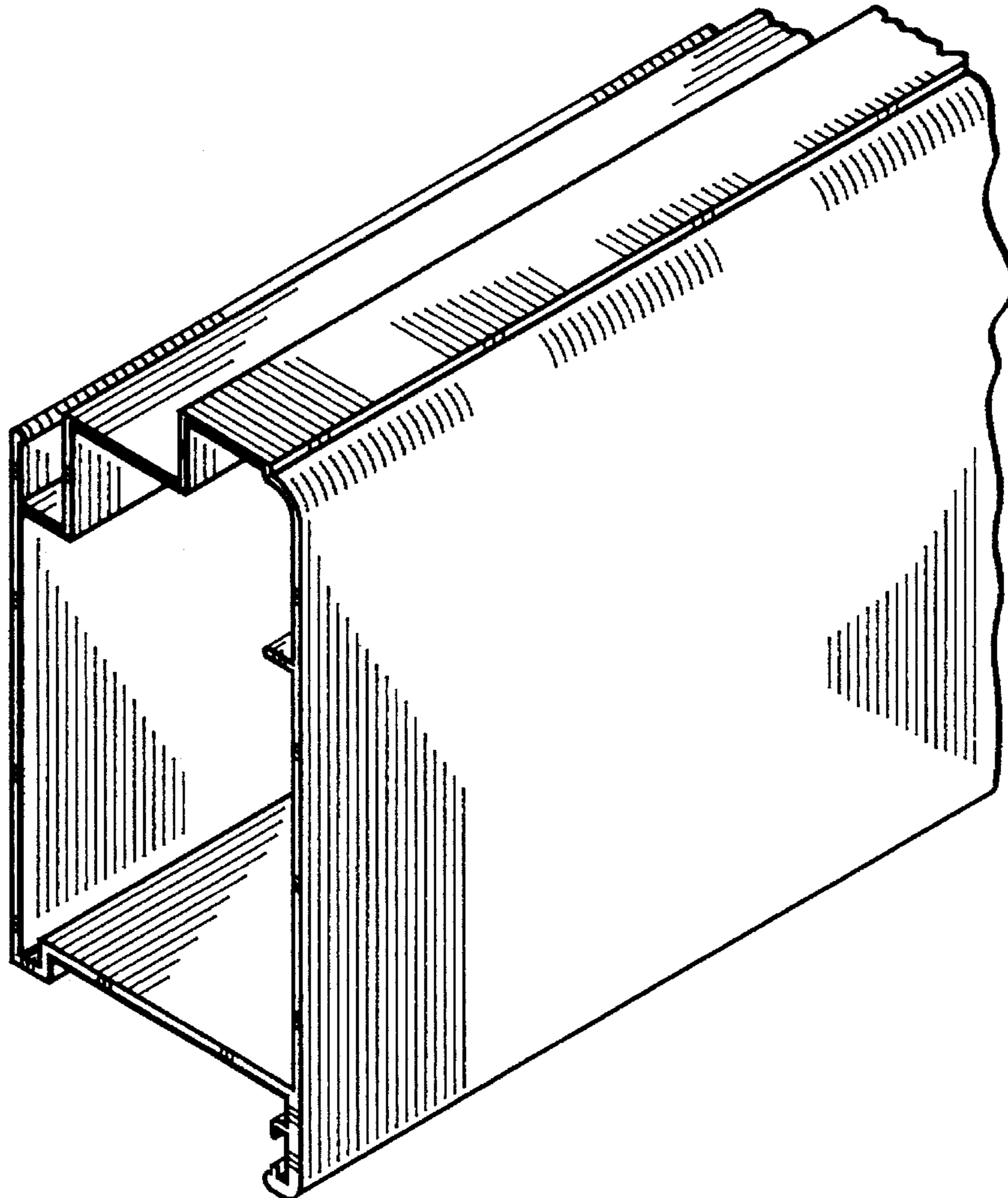


FIG. 2

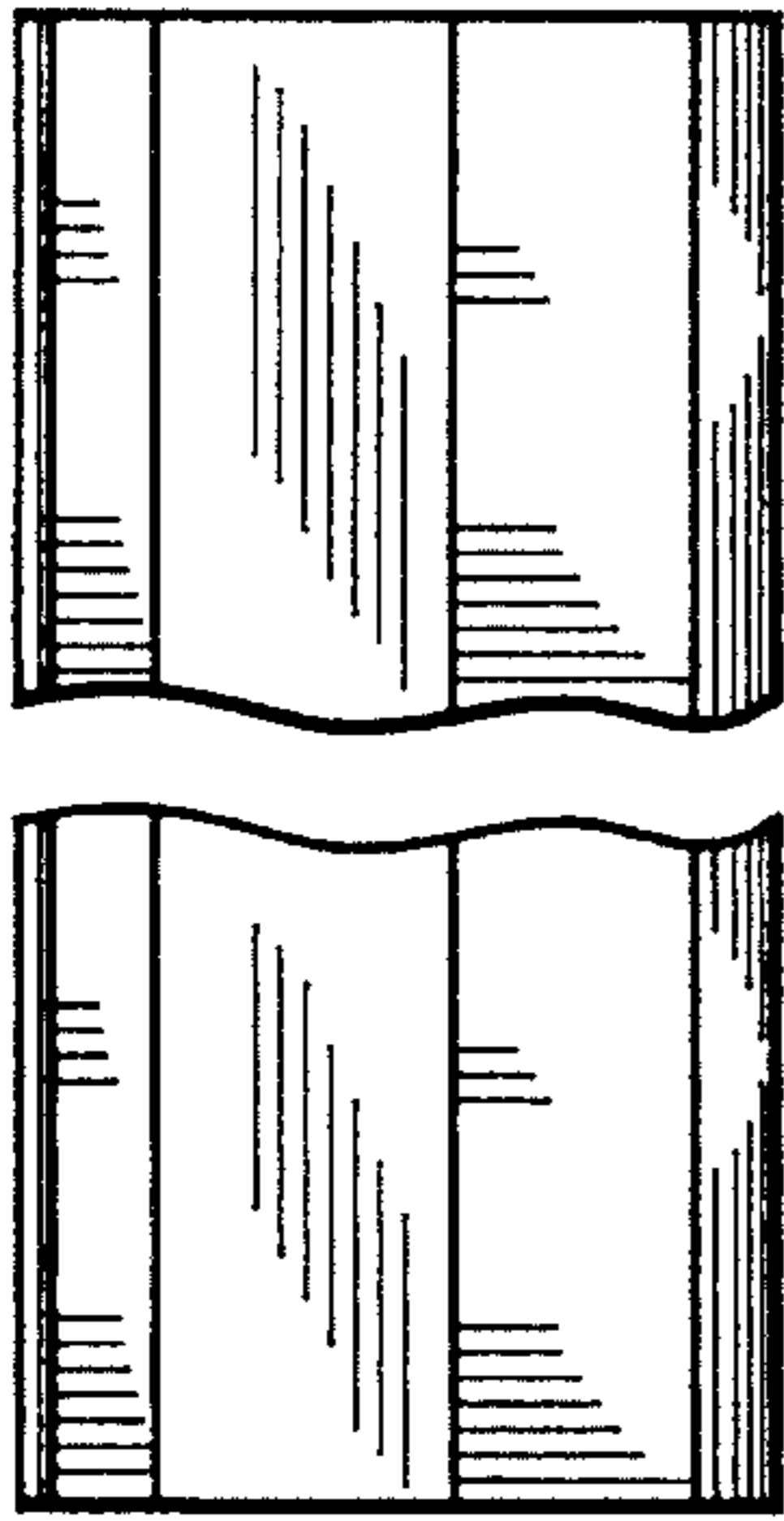


FIG. 1

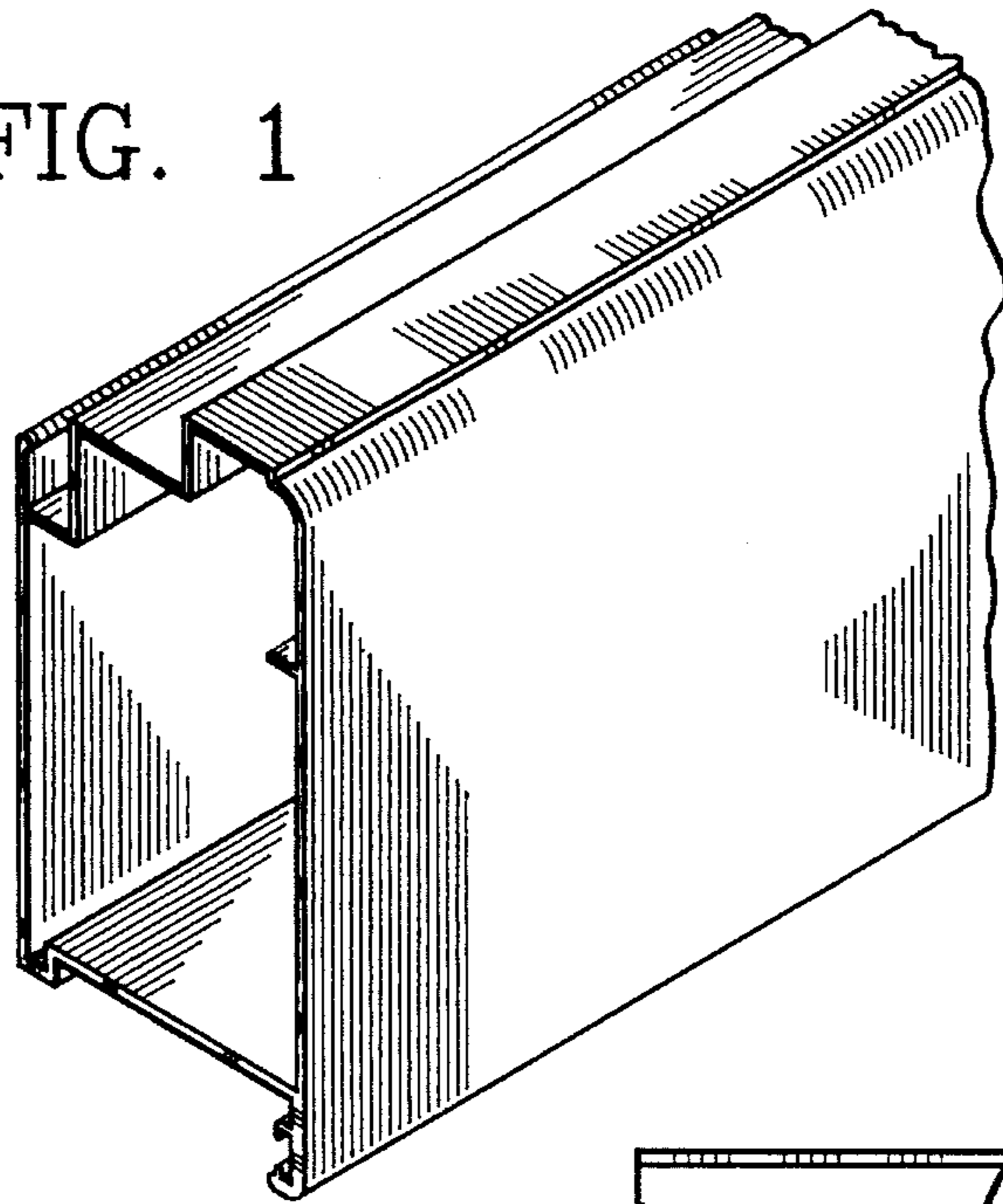


FIG. 3

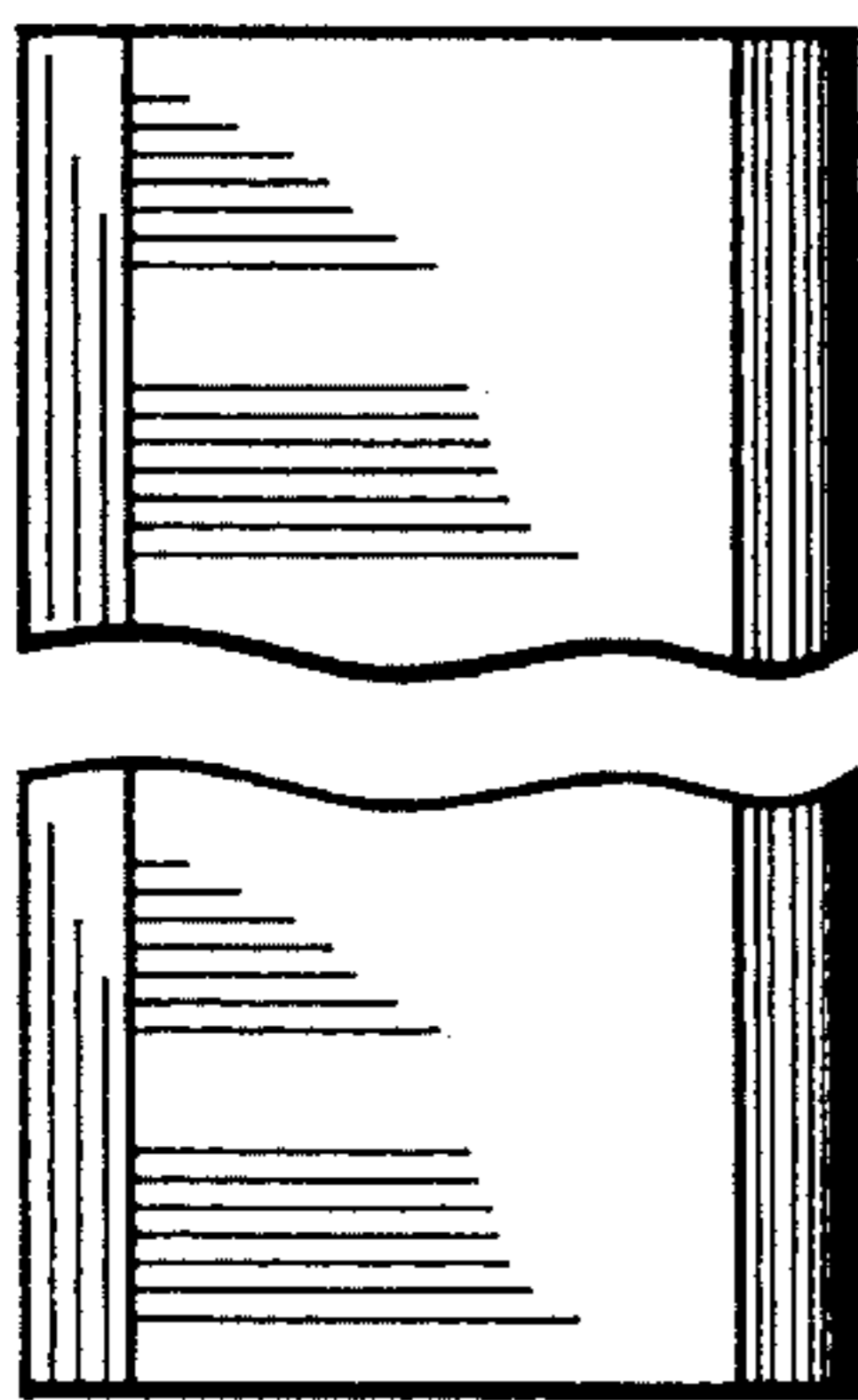


FIG. 5

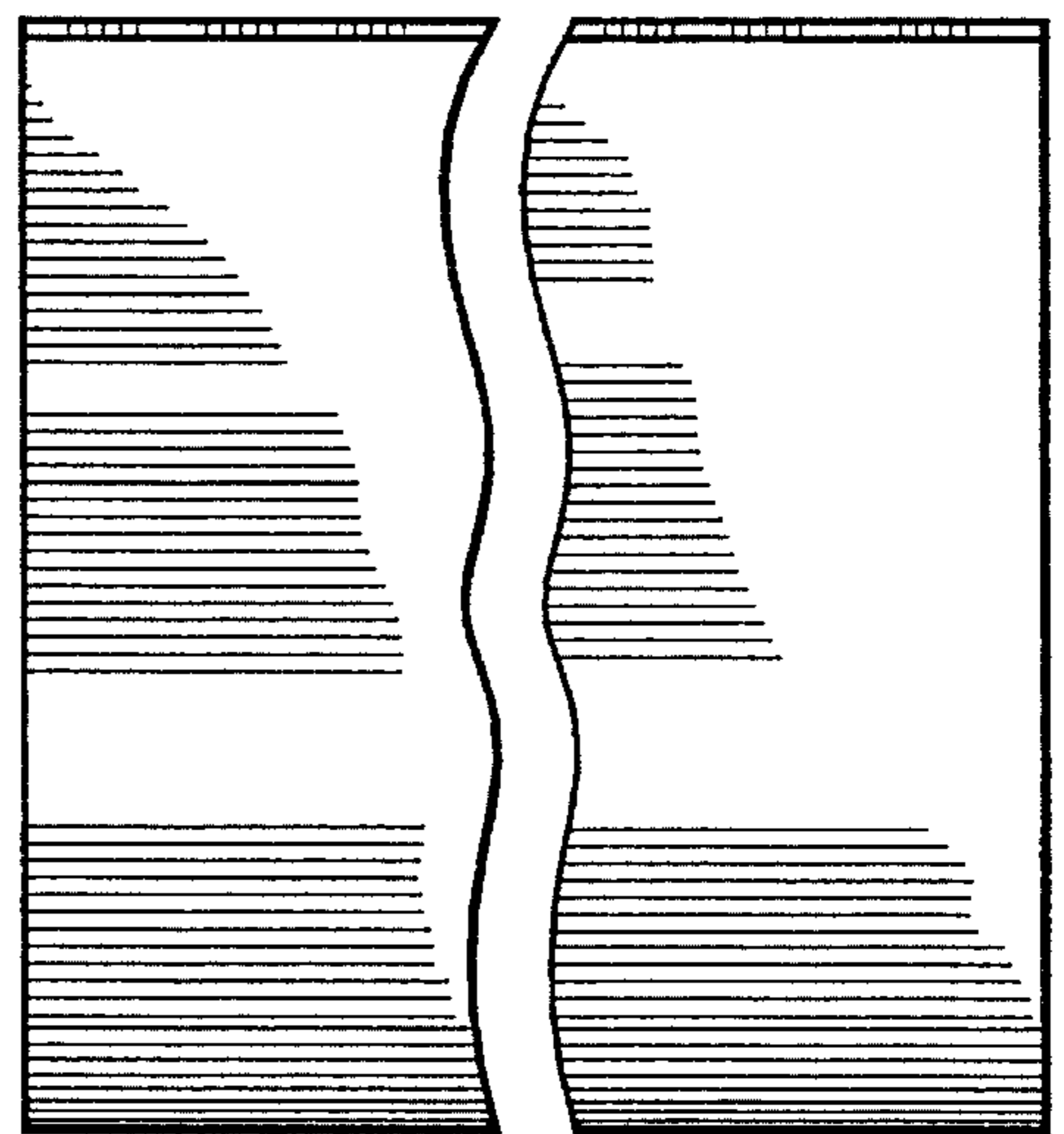


FIG. 4

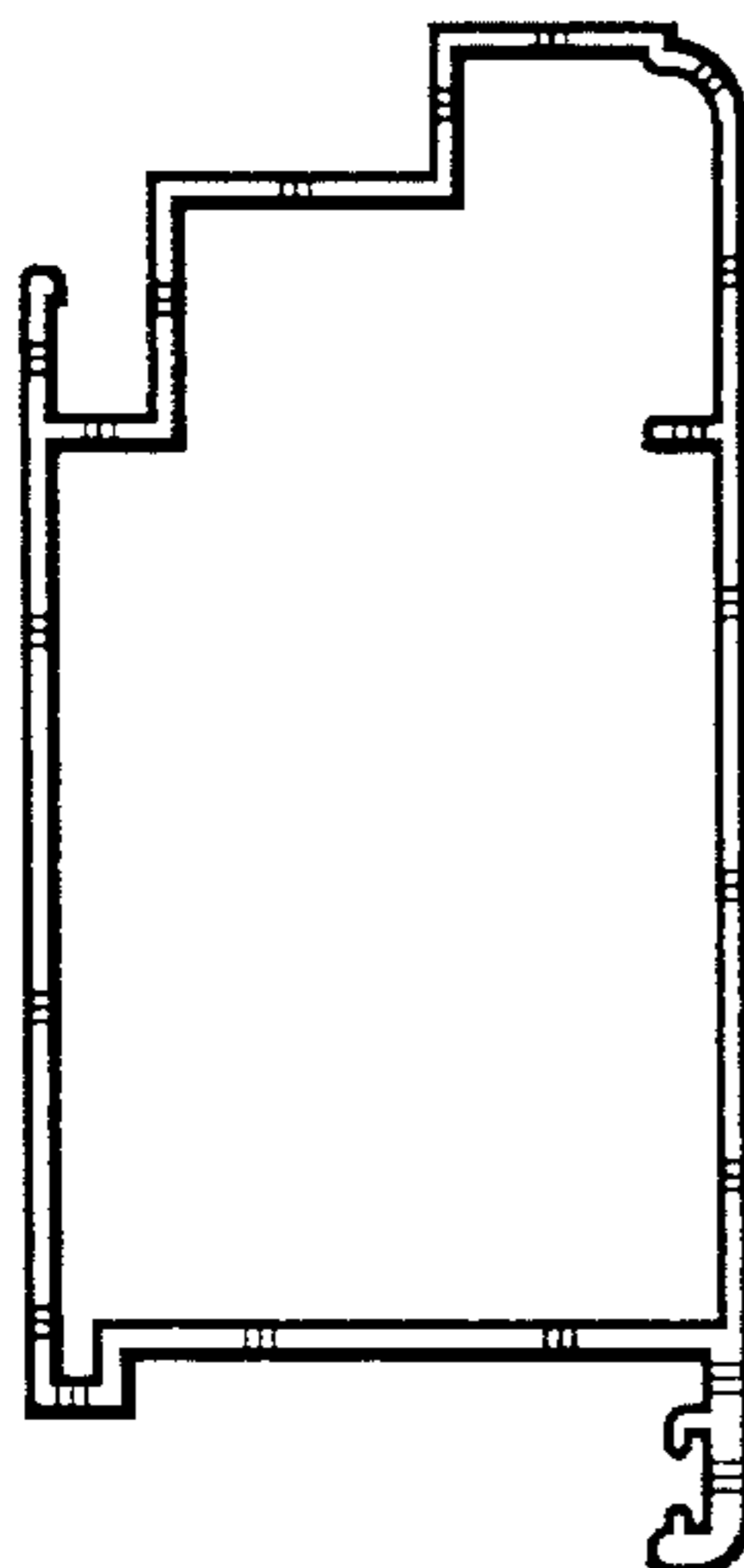


FIG. 6

