



US00D363795S

United States Patent [19] Schrader

[11] Patent Number: **Des. 363,795**

[45] Date of Patent: ****Oct. 31, 1995**

[54] WINDOW COMPONENT EXTRUSION

4,747,248 5/1988 Fahs 49/504

[75] Inventor: **Robert A. Schrader**, Puyallup, Wash.

Primary Examiner—Doris Clark
Attorney, Agent, or Firm—Seed and Berry

[73] Assignee: **Mikron Industries, Inc.**, Kent, Wash.

[**] Term: **14 Years**

[57] **CLAIM**

[21] Appl. No.: **28,380**

The ornamental design for a window component extrusion, as shown and described.

[22] Filed: **Sep. 13, 1994**

DESCRIPTION

[52] U.S. Cl. **D25/124**

[58] Field of Search D25/121-125,
D25/52; 49/504, DIG. 1, DIG. 2; 52/204.5

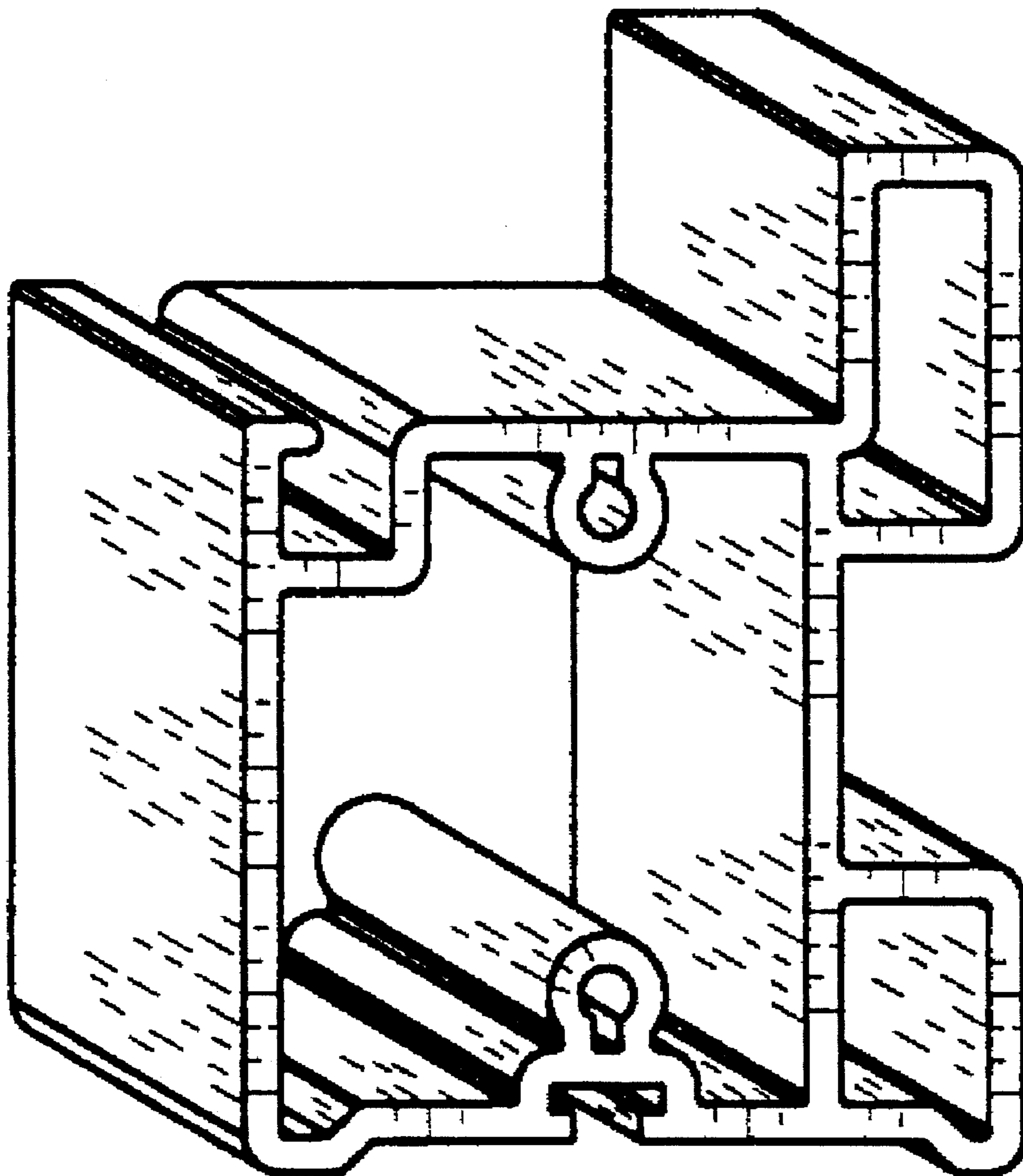
FIG. 1 is a top right perspective view of a window component extrusion showing my new design, the window component extrusion being of indefinite length; and, FIG. 2 is a bottom left perspective view thereof.

[56] **References Cited**

U.S. PATENT DOCUMENTS

D. 336,141 6/1983 Cole D25/124

1 Claim, 1 Drawing Sheet



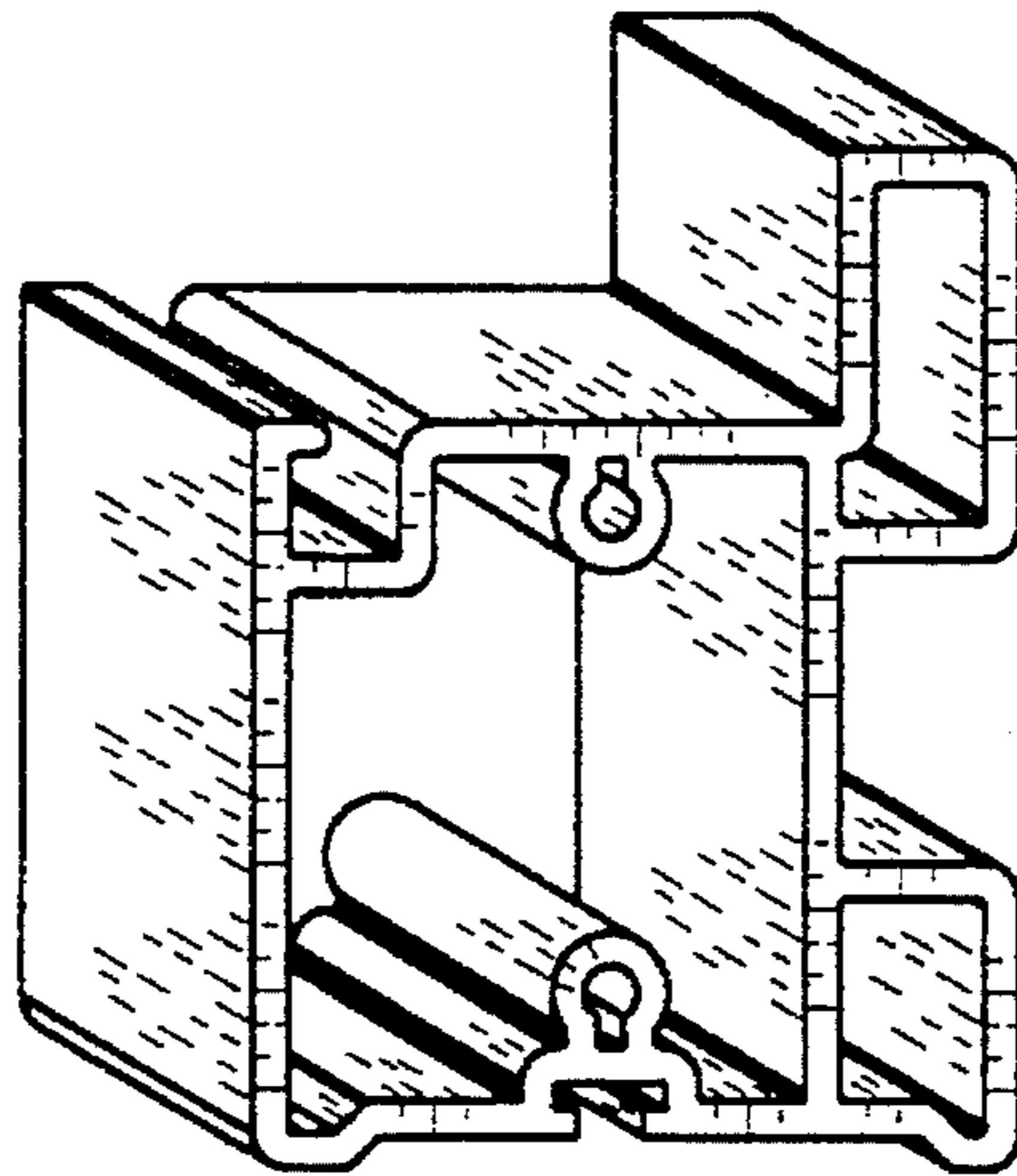


FIG. 1

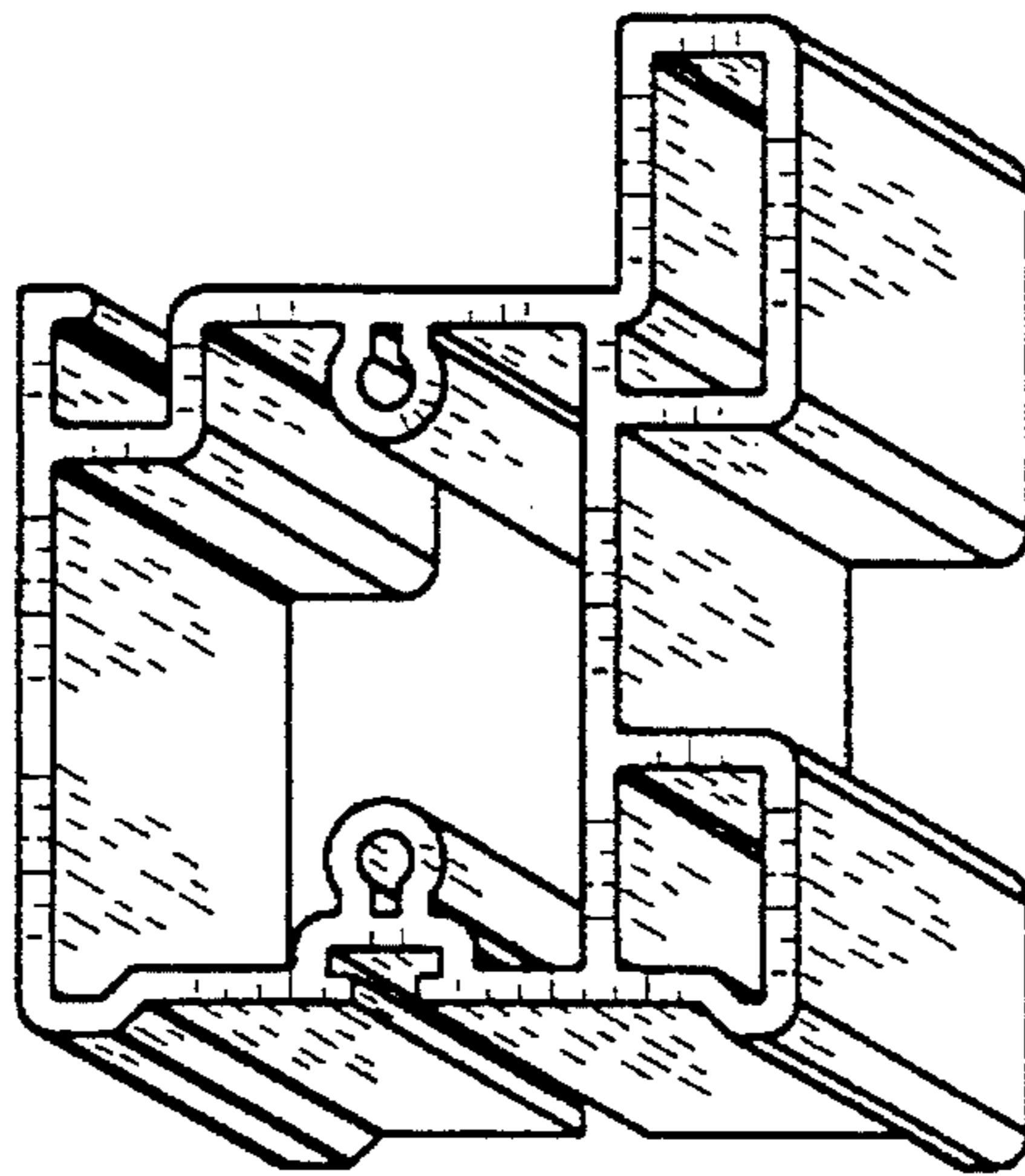


FIG. 2