



US00D363794S

United States Patent [19]
Schrader

[11] **Patent Number:** **Des. 363,794**
[45] **Date of Patent:** ****Oct. 31, 1995**

[54] **WINDOW COMPONENT EXTRUSION**

4,740,405 4/1988 Tanaka et al. 49/DIG. 2

[75] Inventor: **Robert A. Schrader**, Puyallup, Wash.

Primary Examiner—Doris Clark
Attorney, Agent, or Firm—Seed and Berry

[73] Assignee: **Mikron Industries, Inc.**, Kent, Wash.

[**] Term: **14 Years**

[57] **CLAIM**

[21] Appl. No.: **28,365**

The ornamental design for a window component extrusion, as shown and described.

[22] Filed: **Sep. 13, 1994**

DESCRIPTION

[52] U.S. Cl. **D25/124**

[58] **Field of Search** D25/124-125,
D25/52; 49/504, DIG. 1, DIG. 2; 52/204.5

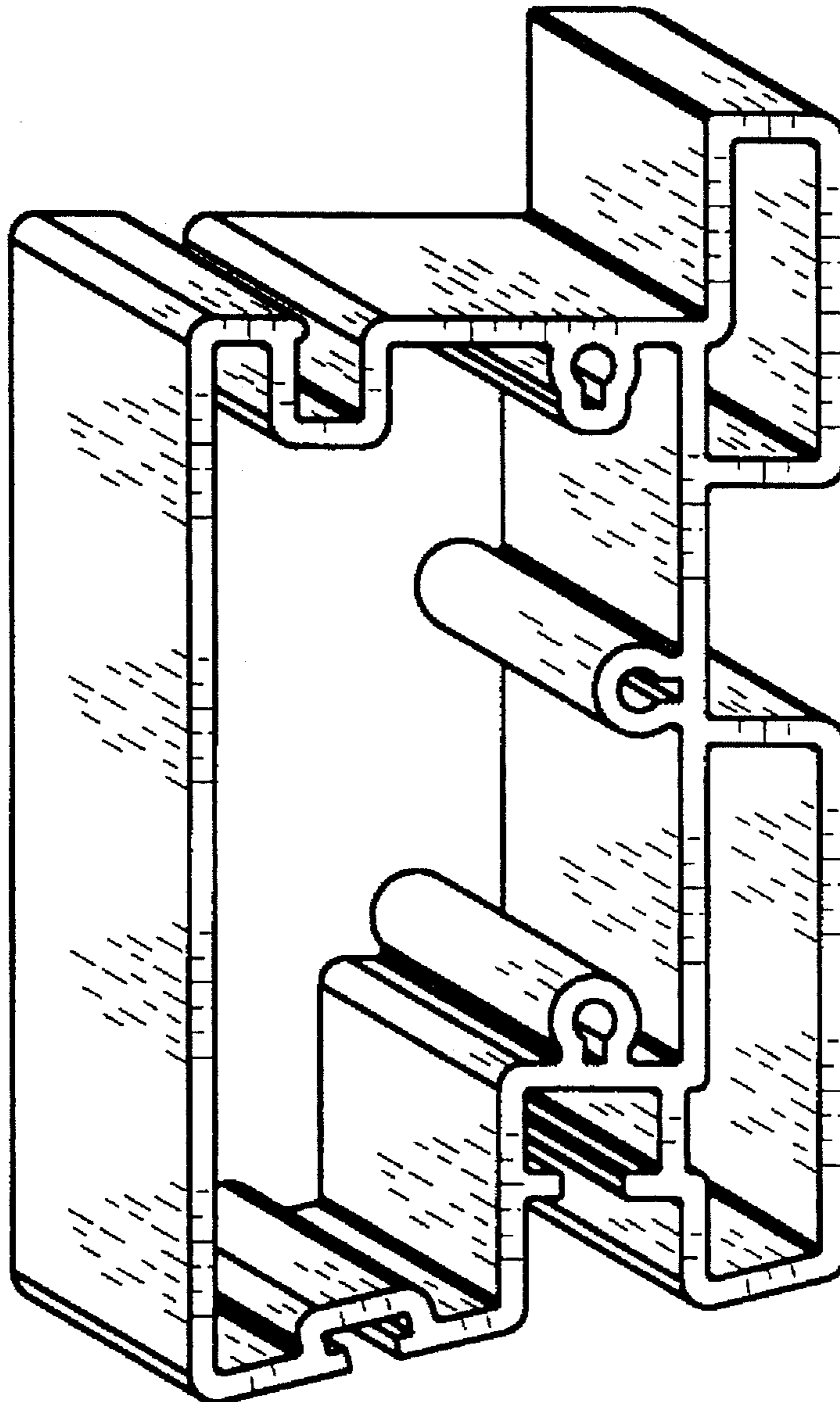
FIG. 1 is a top right perspective view of a window component extrusion showing my new design, the window component extrusion being of indefinite length; and, FIG. 2 is a bottom left perspective view thereof.

[56] **References Cited**

U.S. PATENT DOCUMENTS

D. 334,817 4/1993 Cole D25/124

1 Claim, 1 Drawing Sheet



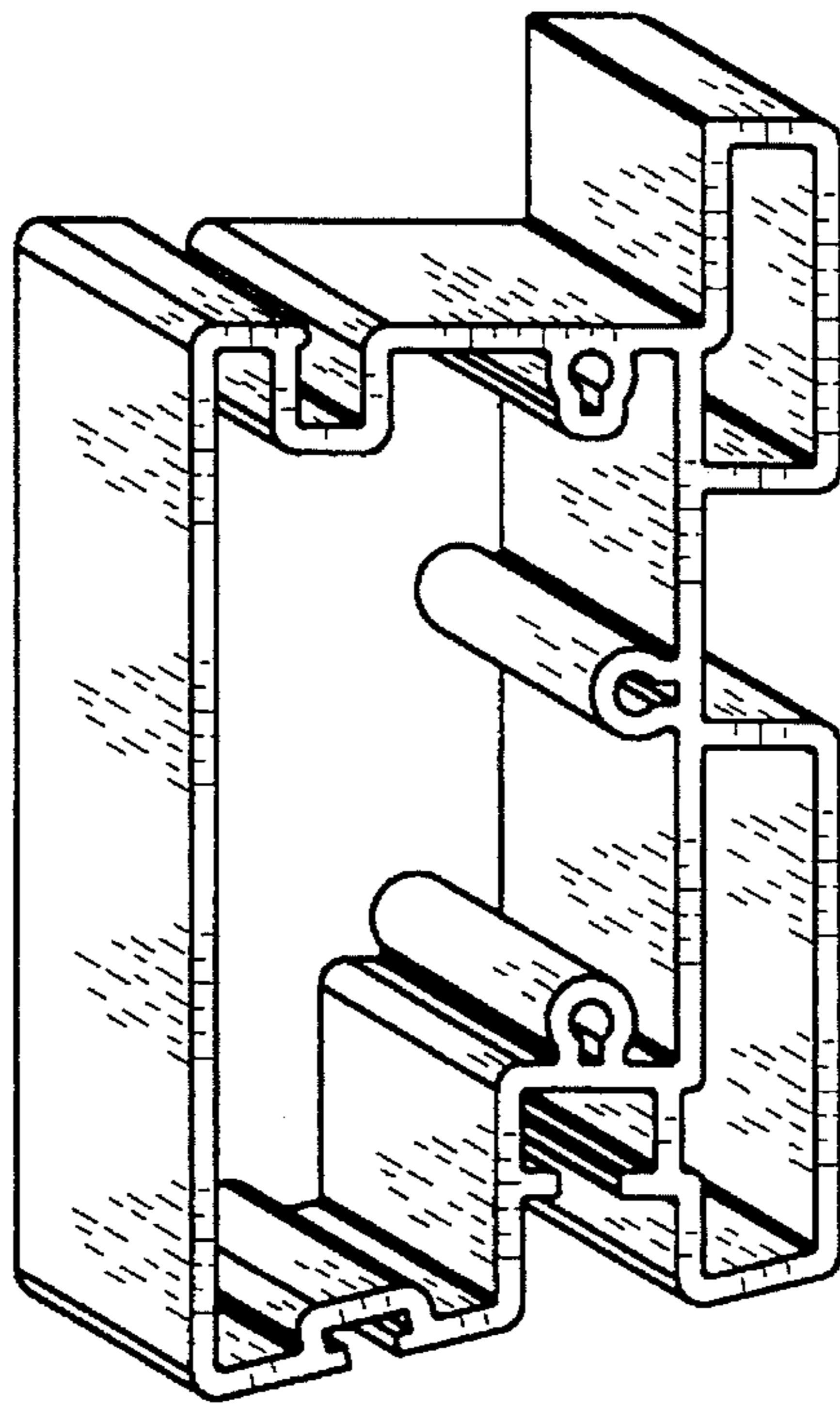


FIG. 1

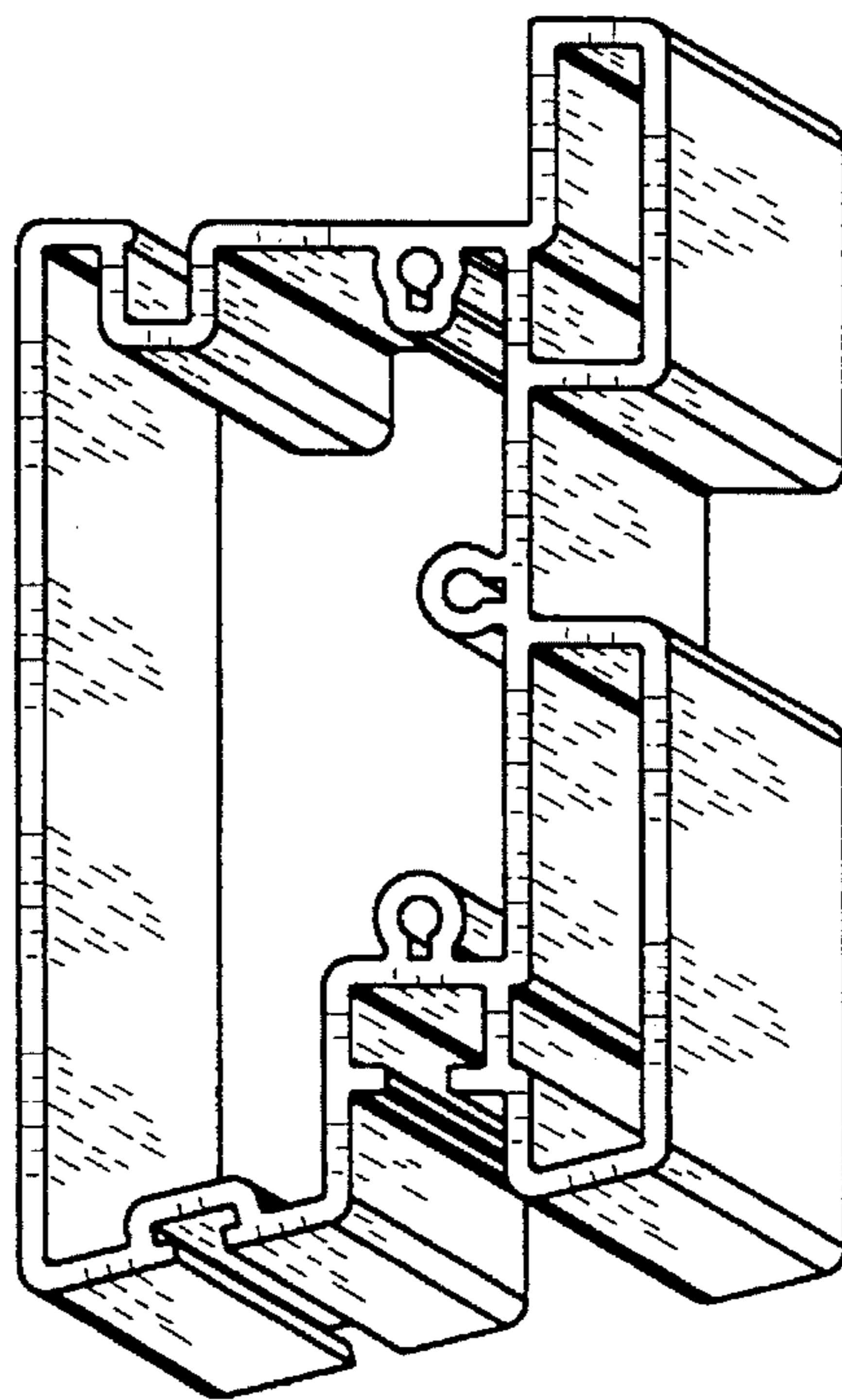


FIG. 2