



US00D363789S

United States Patent [19]

[11] Patent Number: **Des. 363,789**

Weid

[45] Date of Patent: ****Oct. 31, 1995**

[54] **BARRICADE MARKER**

[76] Inventor: **Karl Weid**, 1276 Robinwood Dr.,
Elgin, Ill. 60123

[**] Term: **14 Years**

[21] Appl. No.: **31,114**

[22] Filed: **Nov. 18, 1994**

[52] U.S. Cl. **D25/38**

[58] Field of Search D25/38-39, 58;
256/13.1; 404/6

[56] **References Cited**

U.S. PATENT DOCUMENTS

D. 258,088	1/1981	Koch	D25/38
4,946,306	8/1990	Yodock	256/13.1
4,986,694	1/1991	Delamere	404/6
5,137,391	8/1992	Balesteros	404/6

Primary Examiner—Doris Clark
Attorney, Agent, or Firm—Mathew R. P. Perrone, Jr.

[57] **CLAIM**

The ornamental design for a barricade marker, as shown and described.

DESCRIPTION

FIG. 1 is a perspective view of the barricade marker of my

invention;

FIG. 2 is a top plan view of the barricade marker of my invention;

FIG. 3 is a side view of the barricade marker of my invention, the other side being substantially the same thereas;

FIG. 4 is an end plan view of the barricade marker of my invention, the other end being substantially the same thereas;

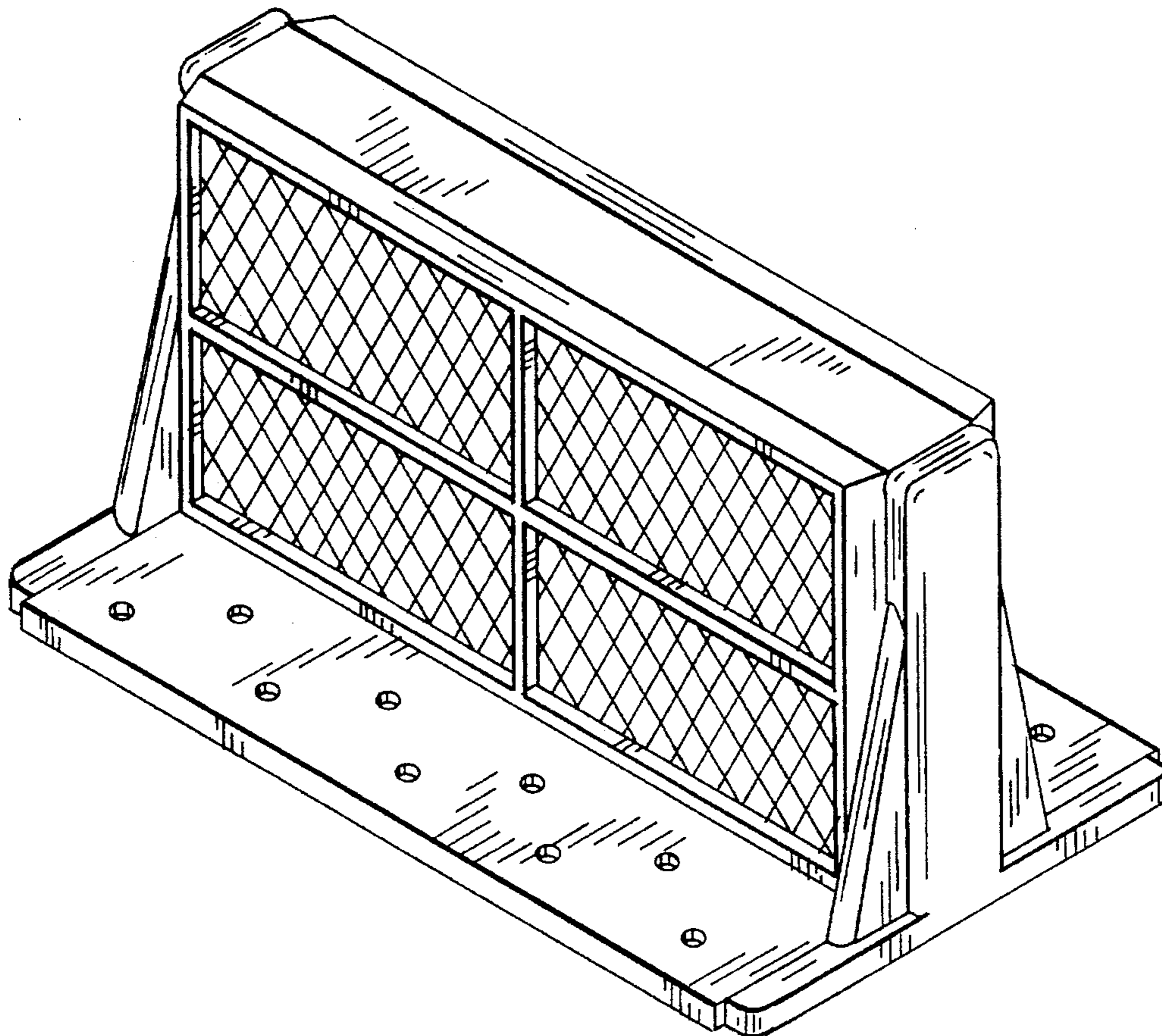
FIG. 5 is a bottom plan view of the barricade marker of my invention;

FIG. 6 is a side view of the second embodiment of the barricade marker of my invention, the opposed side being identical thereto, the bottom, end, and top views being substantially identical to the bottom, end, and top views of the barricade marker in FIGS. 2, 4, and 5;

FIG. 7 is a side view of a third embodiment of the barricade marker of my invention, the opposite side being identical thereto, the bottom, end, and top views being substantially identical to the bottom, end, and top views of the barricade marker in FIGS. 2, 4, and 5; and,

FIG. 8 is a side view of a fourth embodiment of the barricade marker of my invention, the opposite side being identical thereto, the bottom, end, and top views being substantially identical to the bottom, end, and top views of the barricade marker in FIGS. 2, 4, and 5.

1 Claim, 3 Drawing Sheets



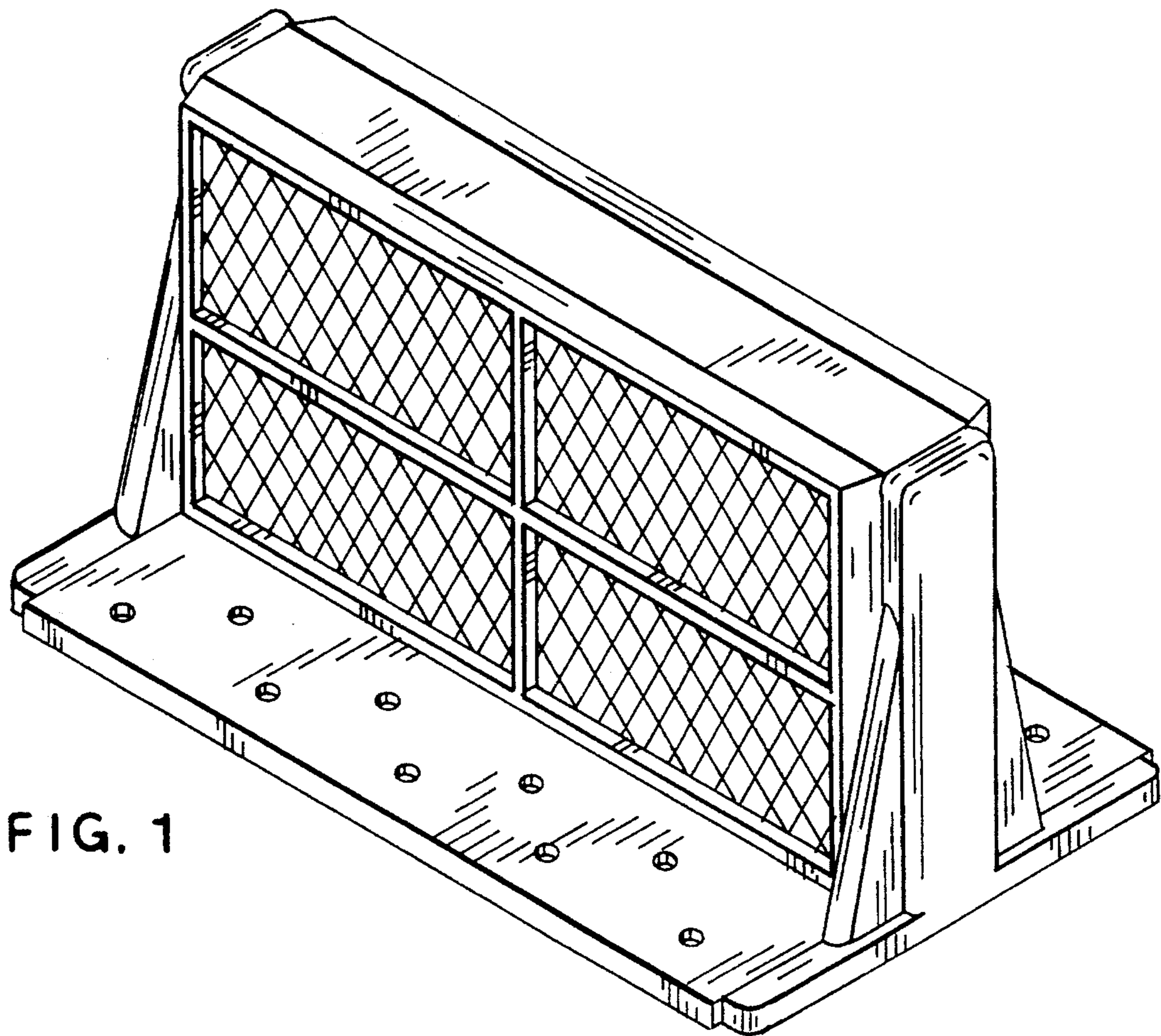


FIG. 1

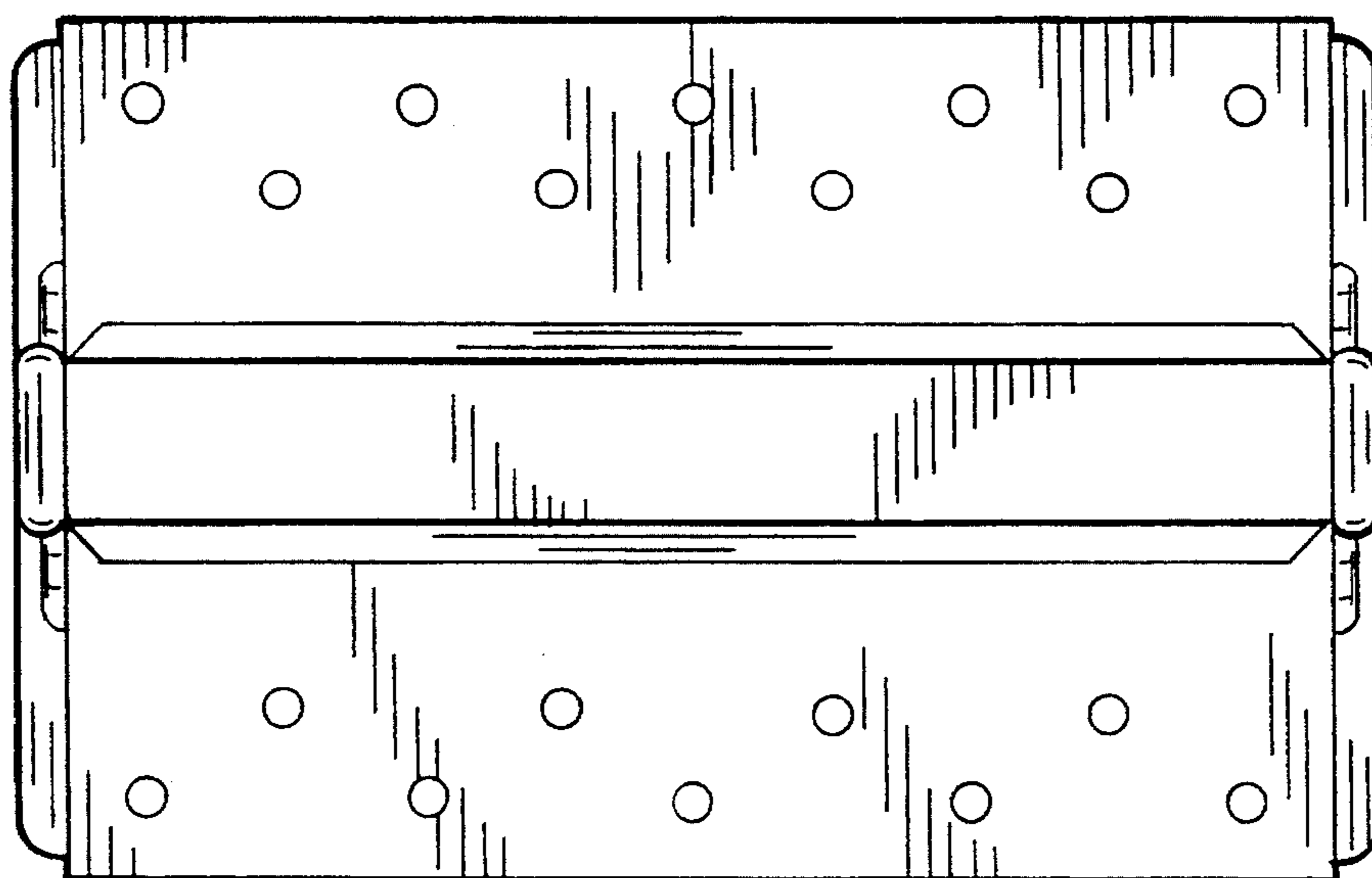


FIG. 2

FIG. 3

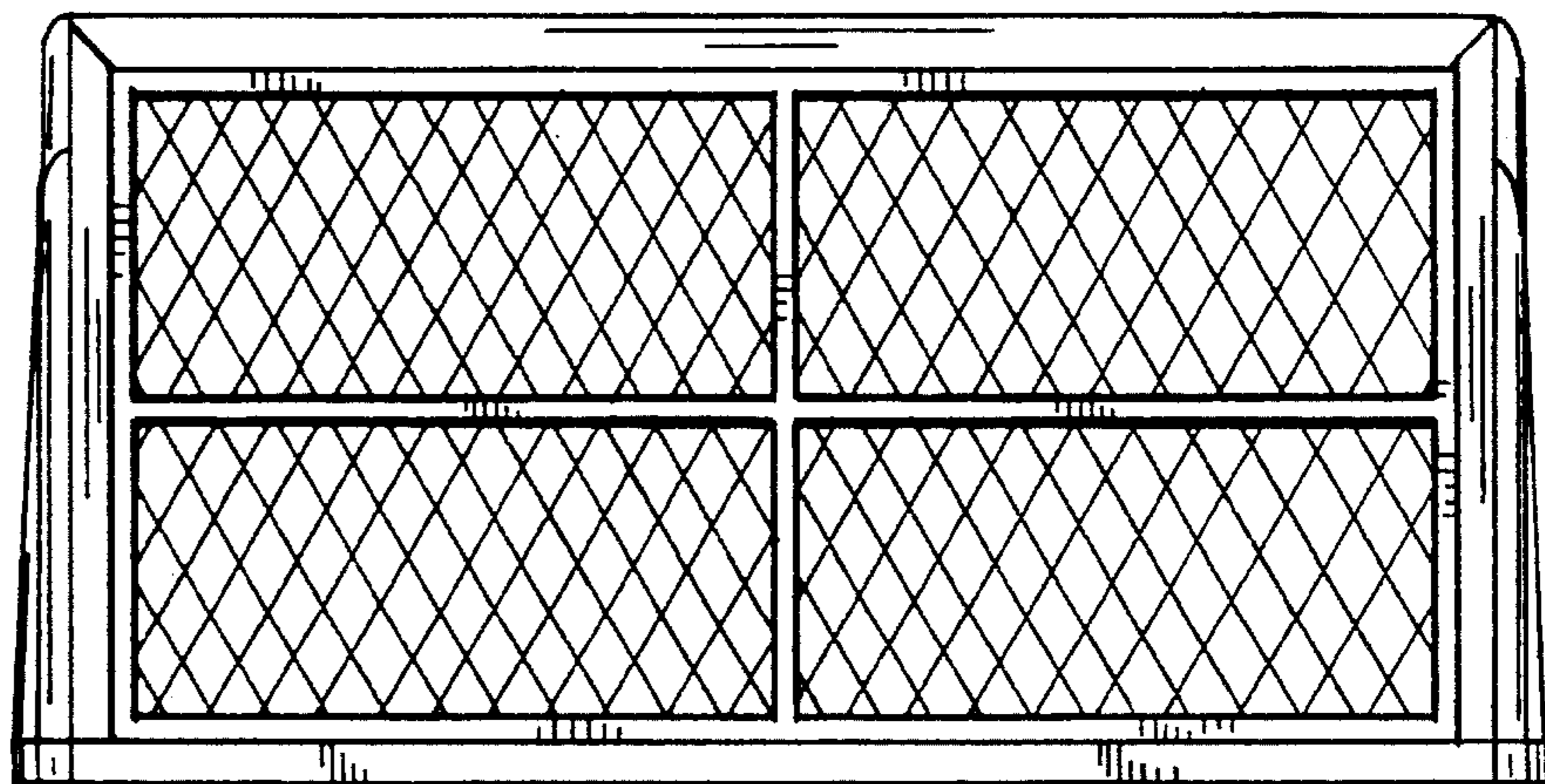


FIG. 4

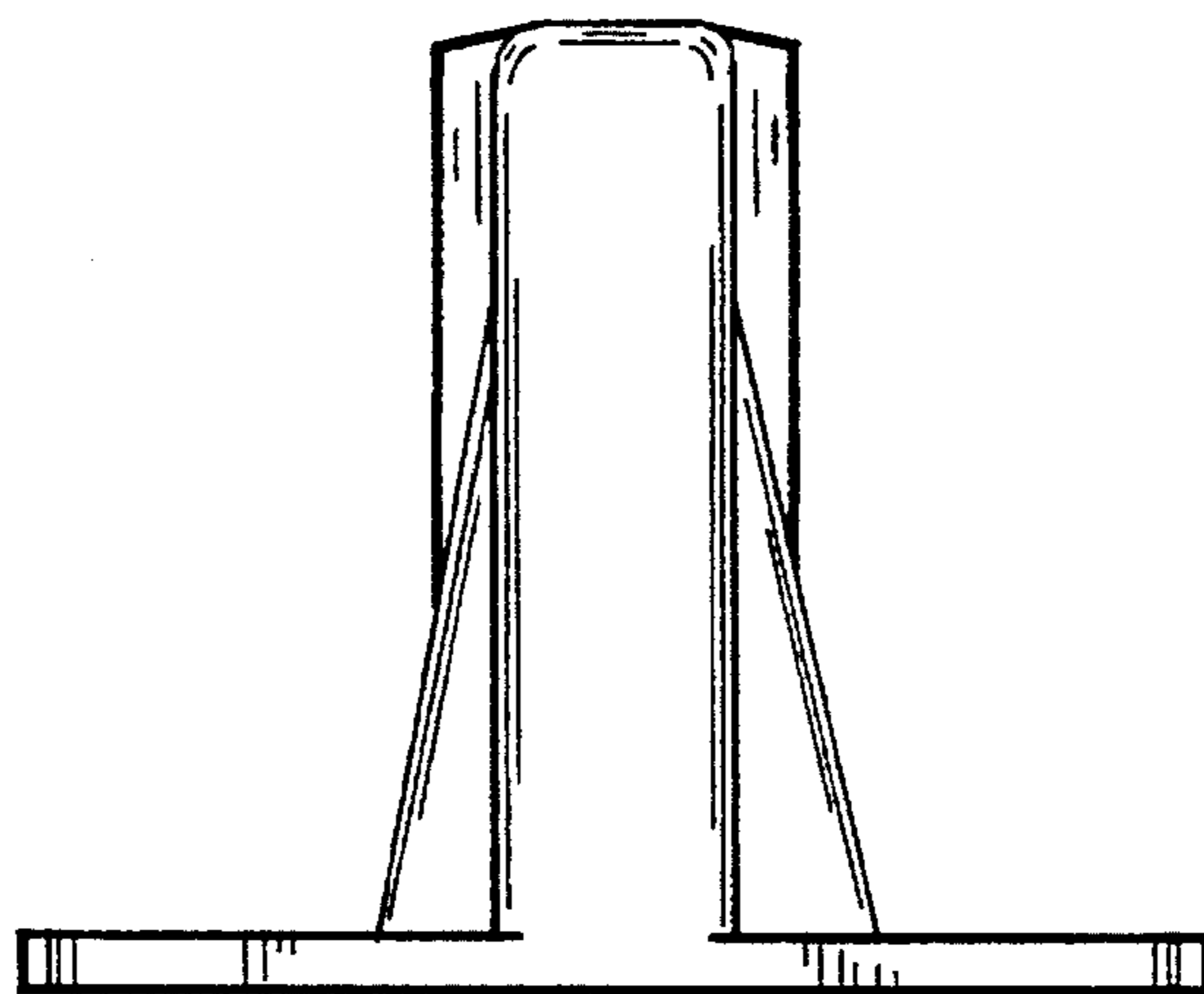


FIG. 5

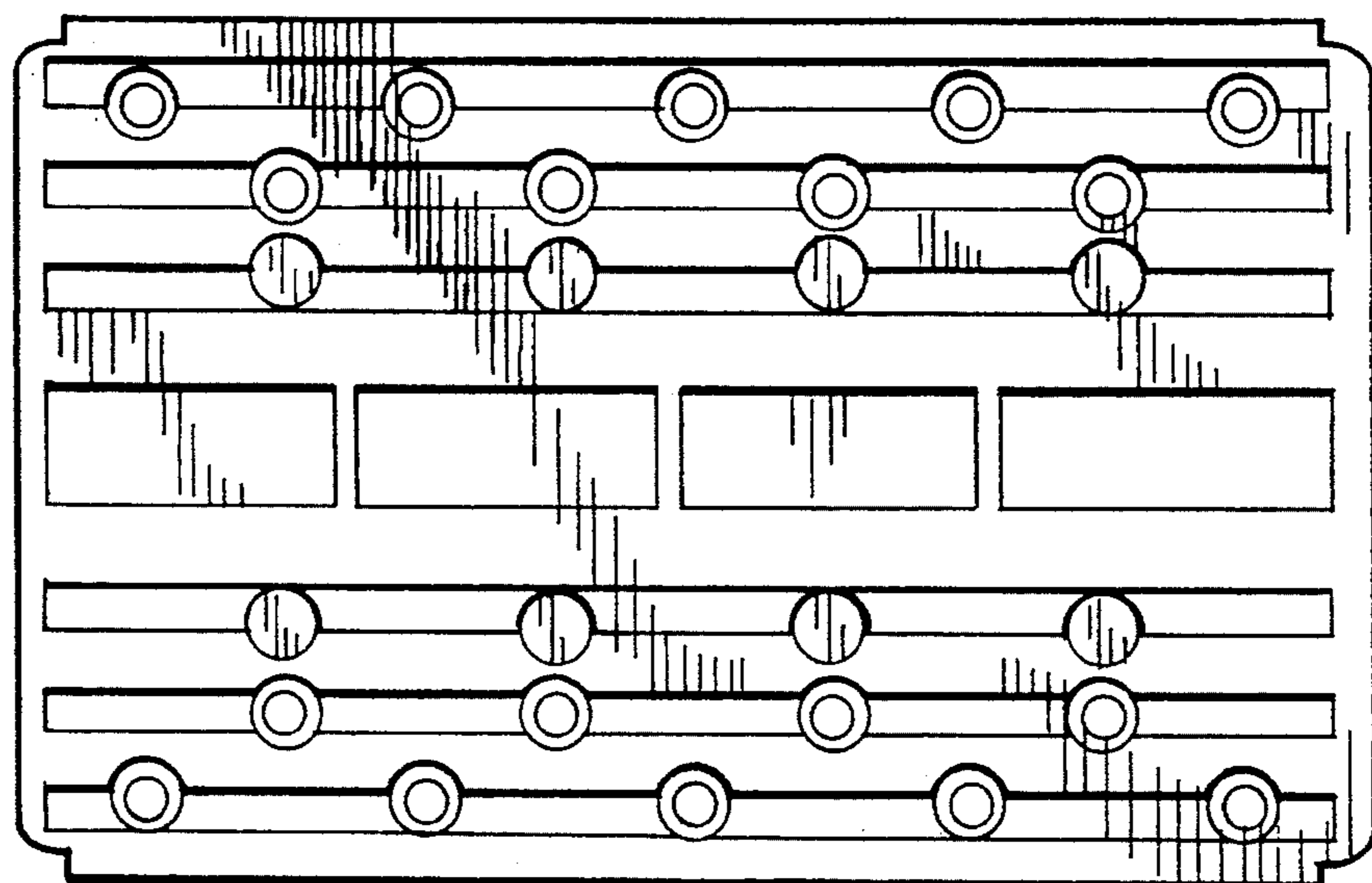


FIG. 6

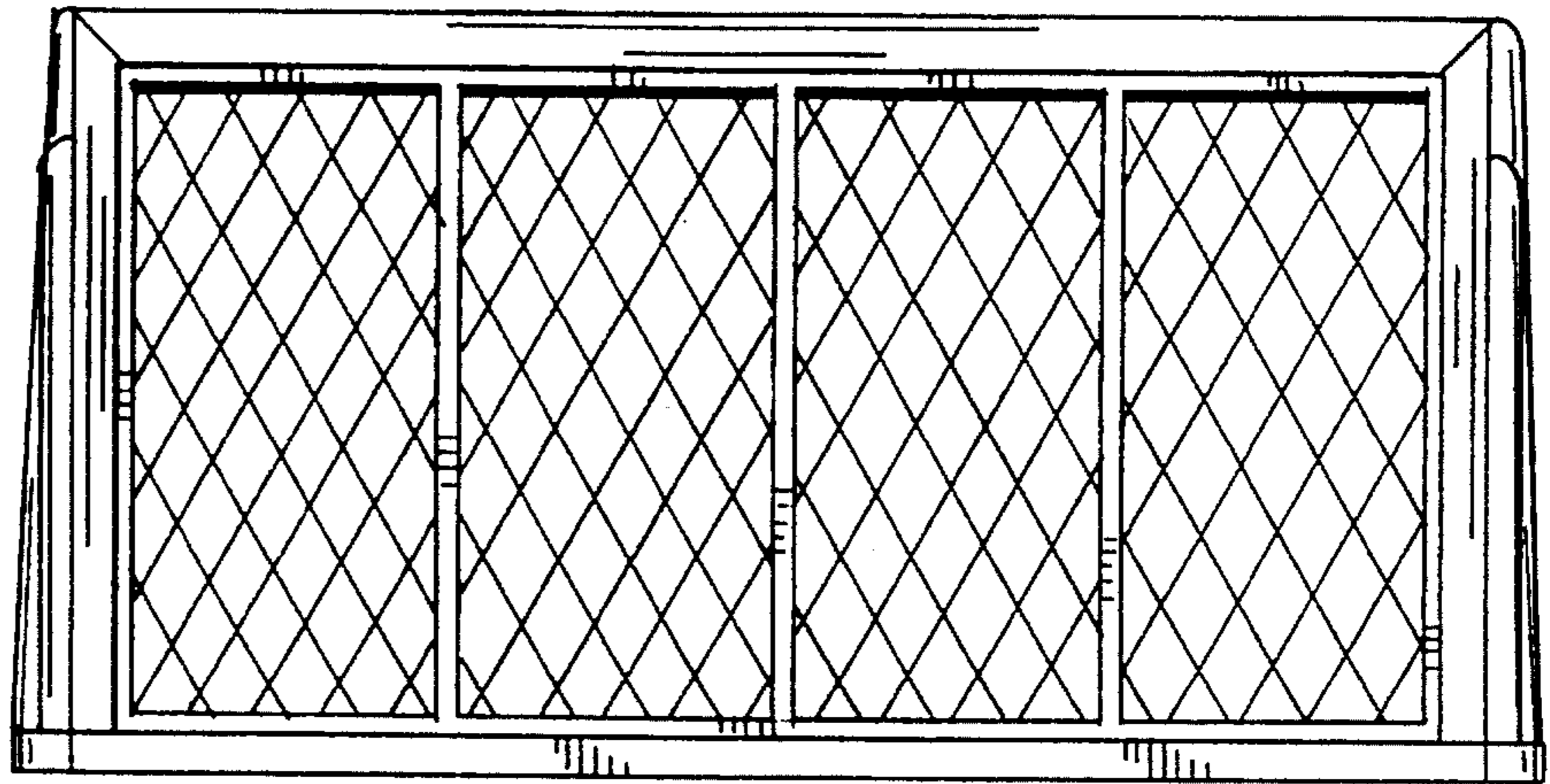


FIG. 7

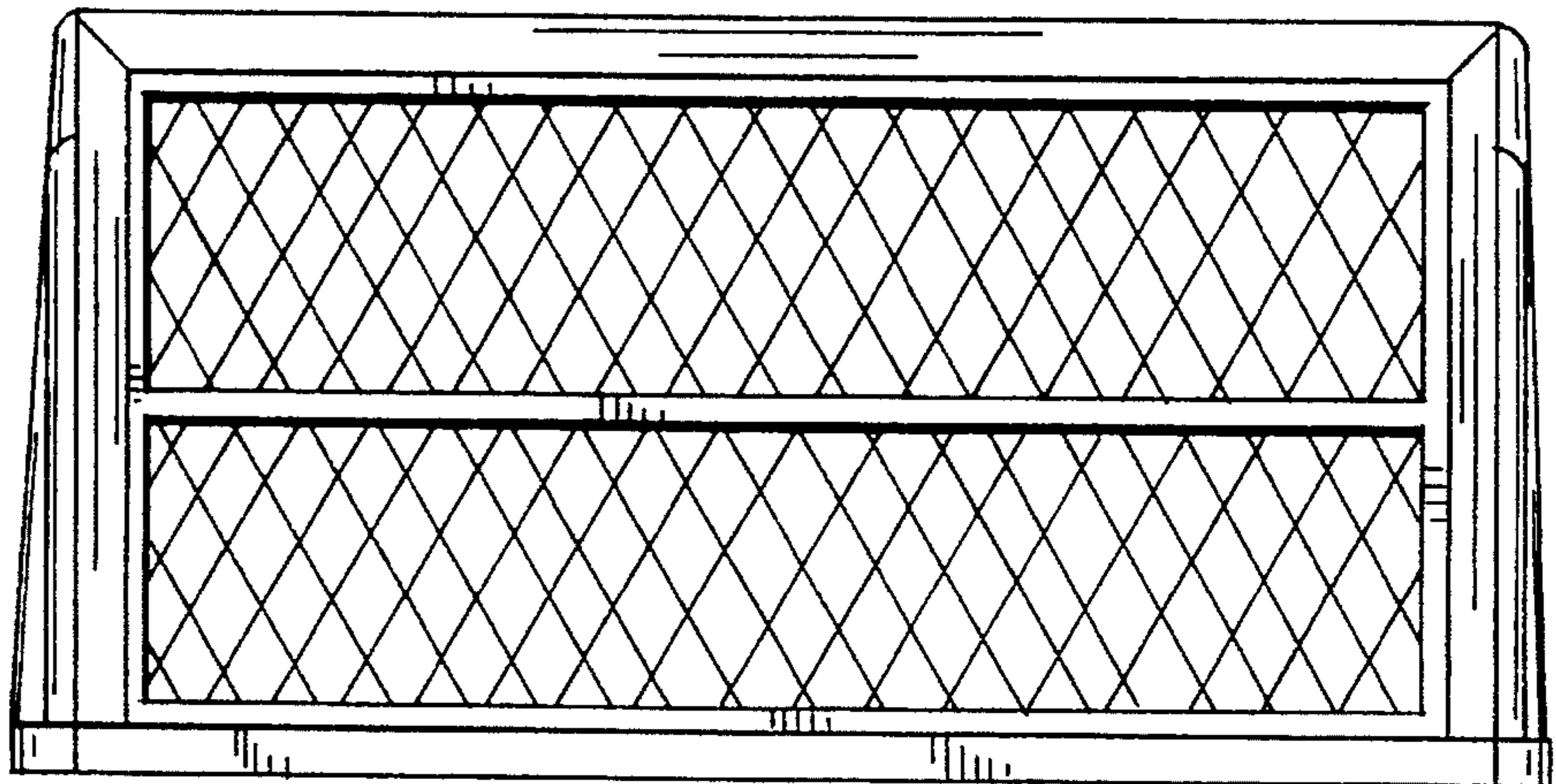


FIG. 8

