



US00D363786S

United States Patent [19]

[11] Patent Number: **Des. 363,786**

Sowers

[45] Date of Patent: ****Oct. 31, 1995**

[54] **RETAINING WALL STONE**

[75] Inventor: **John M. Sowers**, St. Louis, Mo.

[73] Assignee: **Magnum Stone, Inc.**, St. Louis County

[**] Term: **14 Years**

4,923,339 5/1990 Smith .
 4,930,283 6/1990 Winkler .
 4,964,761 10/1990 Rossi .
 4,965,979 10/1990 Larrivee et al. .
 5,010,707 4/1991 Nelson et al. .
 5,020,938 6/1991 Scales .
 5,044,834 9/1991 Janopaul, Jr. .
 5,072,566 12/1991 Zeidman .

[21] Appl. No.: **27,548**

[22] Filed: **Aug. 24, 1994**

[52] U.S. Cl. **D25/117; D25/116**

[58] Field of Search **D25/114-117; 52/596, 598, 608; 405/284, 286**

OTHER PUBLICATIONS

Construction Digest of Aug. 21, 1989 (pp. 28 and 29).
 Engineering News-Record of May 17, 1990 (p. 17).
 Midwest Contractor of Jun. 11, 1990 (pp. 24 and 26).
 Article from Popular Science of Jun. 1990 entitled Home Newsfront by Gilmore et al.

Primary Examiner—Doris Clark
Attorney, Agent, or Firm—Polster, Lieder, Woodruff & Lucchesi

[56] References Cited

U.S. PATENT DOCUMENTS

D. 138,256	7/1944	McCannon	D25/116
D. 295,788	5/1988	Forsberg	.	
D. 295,790	5/1988	Forsberg	.	
D. 296,007	5/1988	Forsberg	.	
D. 296,365	6/1988	Forsberg	.	
D. 297,464	8/1988	Forsberg	.	
D. 297,574	9/1988	Forsberg	.	
D. 297,767	9/1988	Forsberg	.	
D. 298,463	11/1988	Forsberg	.	
D. 299,067	12/1988	Forsberg	.	
D. 300,253	3/1989	Forsberg	.	
D. 300,254	3/1989	Forsberg	.	
D. 301,064	5/1989	Forsberg	.	
D. 305,570	1/1990	Sakata	.	
D. 307,792	5/1990	Poulsen	.	
D. 317,048	5/1991	Forsberg	.	
D. 319,885	9/1991	Blomquist et al.	.	
D. 321,060	10/1991	Blomquist et al.	.	
D. 340,996	11/1993	Woolbright	D25/113
D. 351,031	9/1994	Crawford et al.	.	
3,096,621	7/1963	Danel	.	
4,227,829	10/1980	Landry, jr.	.	
4,318,642	3/1982	Barnett	.	
4,320,596	3/1982	Wirtz	.	
4,521,138	6/1985	Steiner	.	
4,661,012	4/1987	McCloskey	.	
4,662,794	5/1987	Delmas et al.	.	
4,802,320	2/1989	Forsberg	.	
4,825,619	5/1989	Forsberg	.	
4,875,803	10/1989	Scales	.	
4,896,999	1/1990	Ruckstuhl	405/286
4,914,876	4/1990	Forsberg	.	
4,920,712	5/1990	Dean, Jr.	.	

OTHER PUBLICATIONS

Construction Digest of Aug. 21, 1989 (pp. 28 and 29).
 Engineering News-Record of May 17, 1990 (p. 17).
 Midwest Contractor of Jun. 11, 1990 (pp. 24 and 26).
 Article from Popular Science of Jun. 1990 entitled Home Newsfront by Gilmore et al.

Primary Examiner—Doris Clark
Attorney, Agent, or Firm—Polster, Lieder, Woodruff & Lucchesi

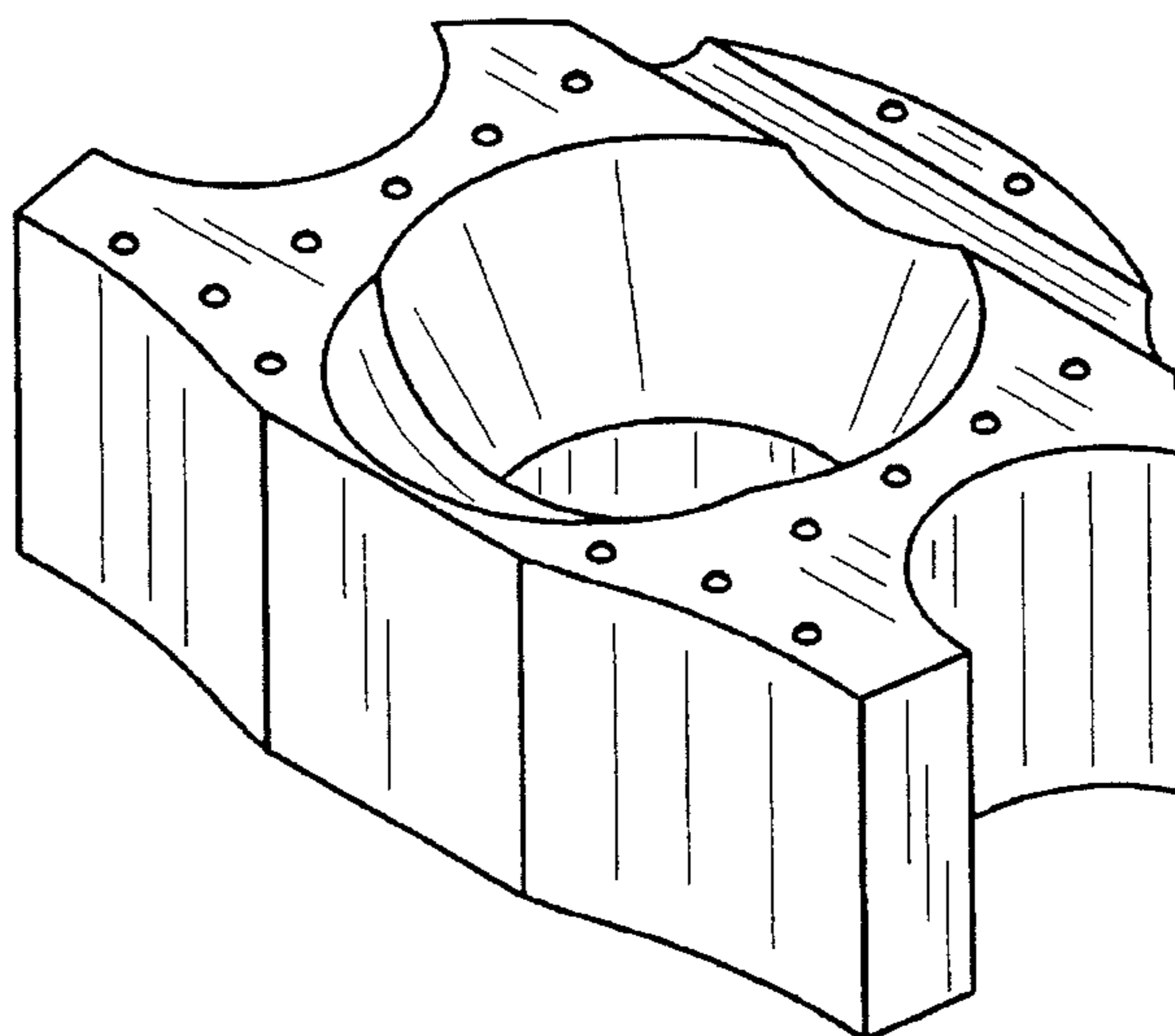
[57] CLAIM

The ornamental design for the stone, as shown and described herein.

DESCRIPTION

FIG. 1 is a perspective view of the present invention;
 FIG. 2 is a top plan view of the retaining wall stone shown in FIG. 1;
 FIG. 3 is a bottom view of the retaining wall stone shown in FIG. 1;
 FIG. 4 is a front elevational view of the retaining wall stone shown in FIG. 1;
 FIG. 5 is a rear elevational view of the retaining wall stone shown in FIG. 1;
 FIG. 6 is a left side elevational view of the retaining wall stone shown in FIG. 1 and the right side is identical;
 FIG. 7 is a vertical sectional view taken along line 7—7 of FIG. 2;
 FIG. 8 is a vertical sectional view taken along line 8—8 of FIG. 2; and,
 FIG. 9 is a top plan view of a modified form of the invention. All features of the retaining wall stone in FIG. 9 are identical to those features on the retaining wall stone in FIGS. 1-8, except for the front beveled corners.

1 Claim, 1 Drawing Sheet



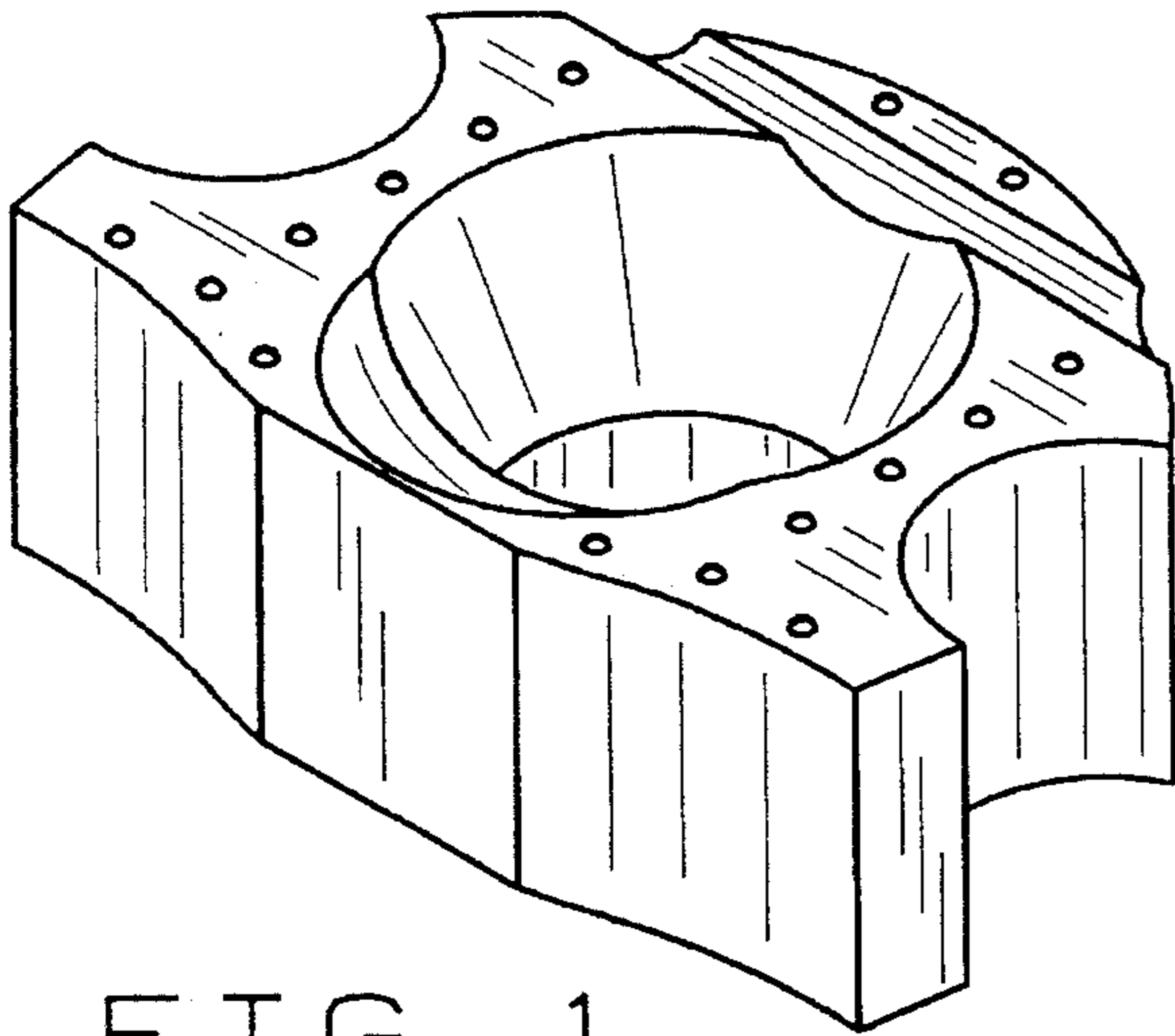


FIG. 1

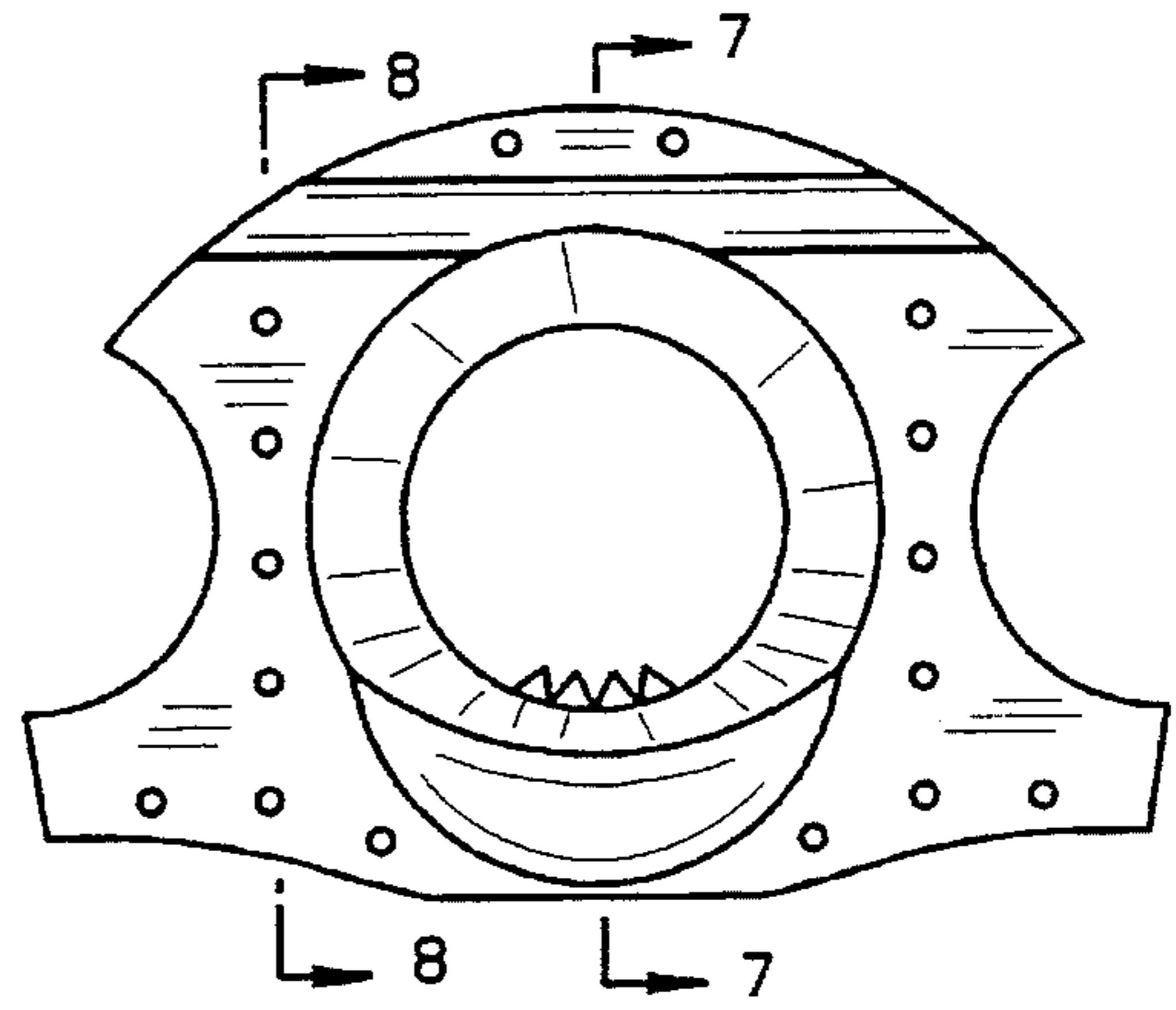


FIG. 2

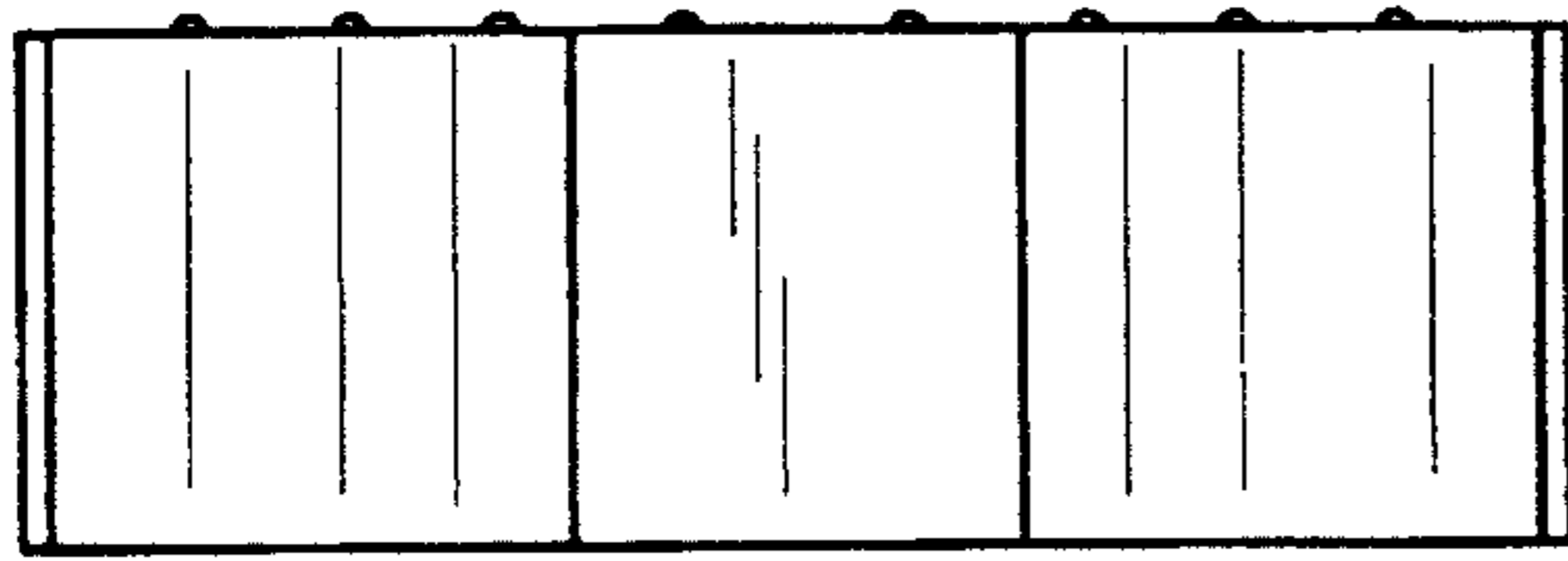


FIG. 4

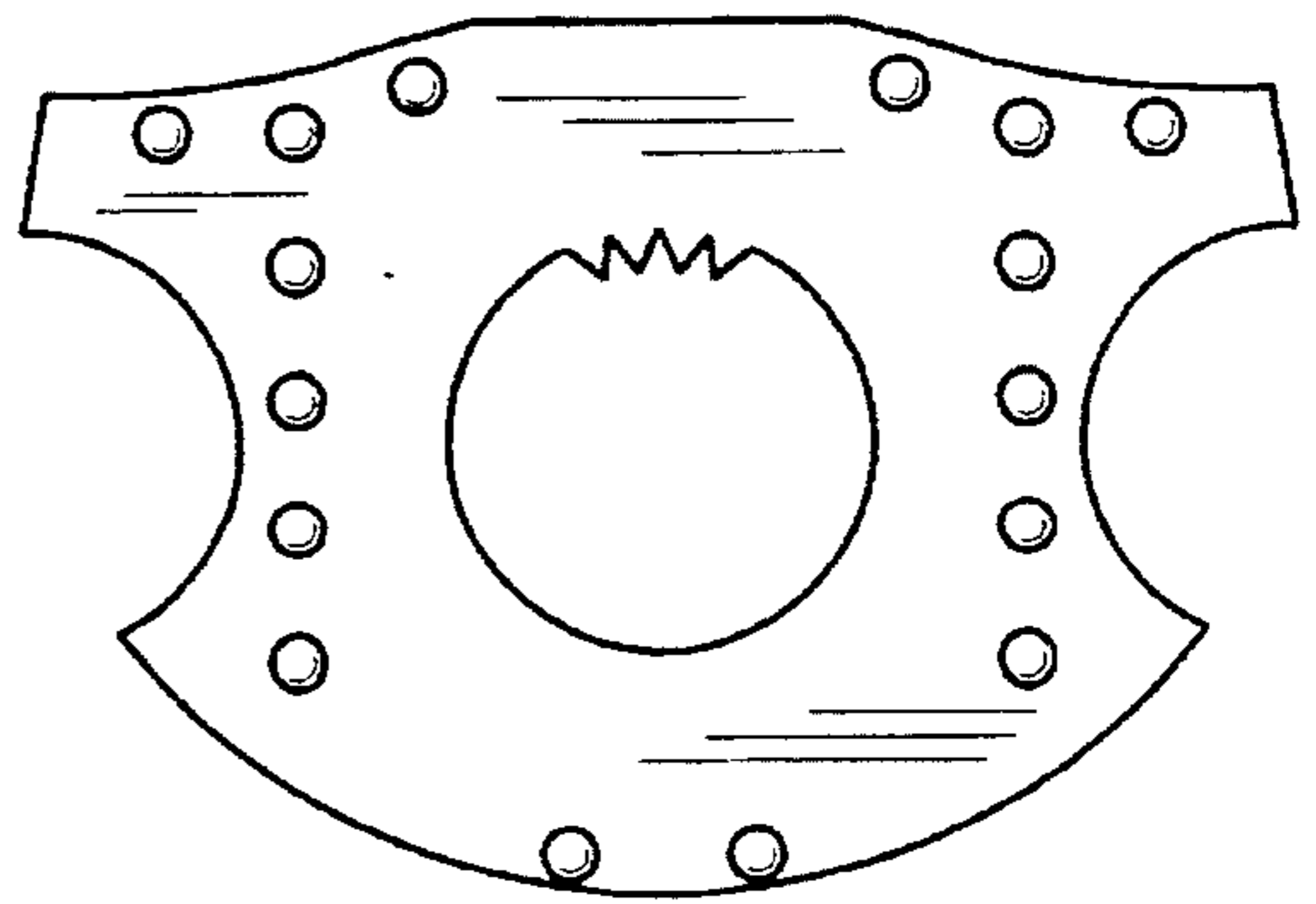


FIG. 3

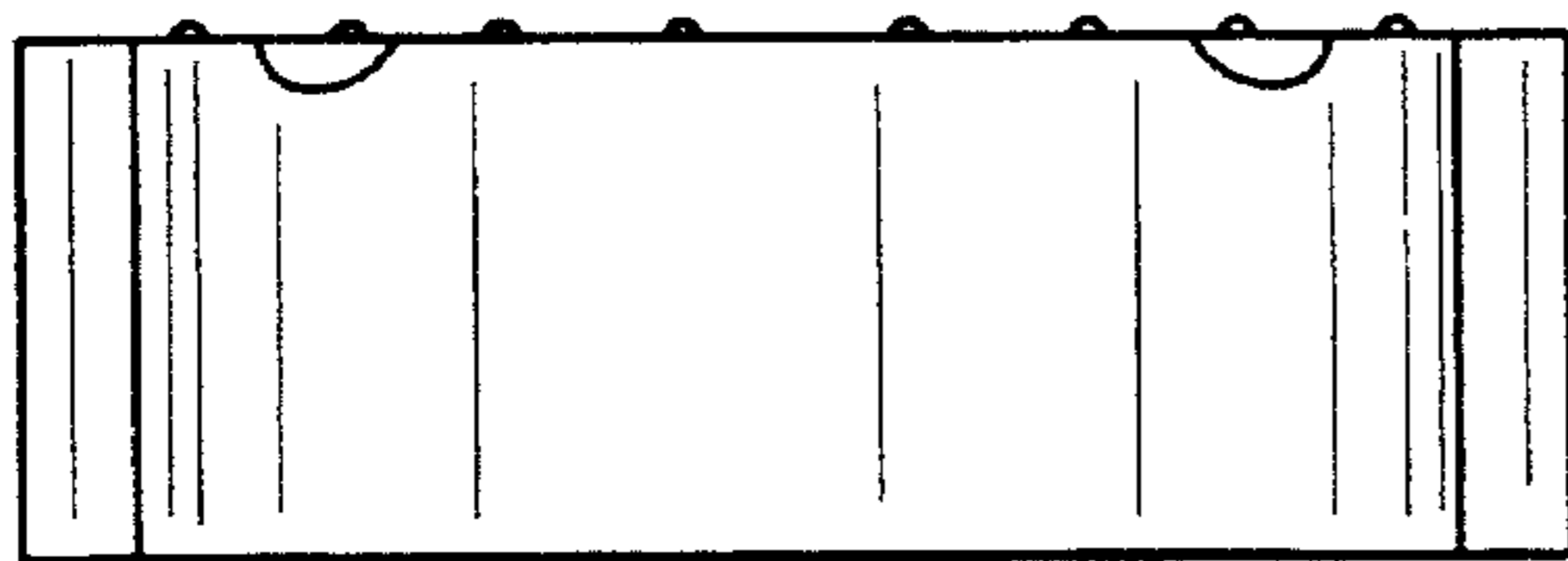


FIG. 5

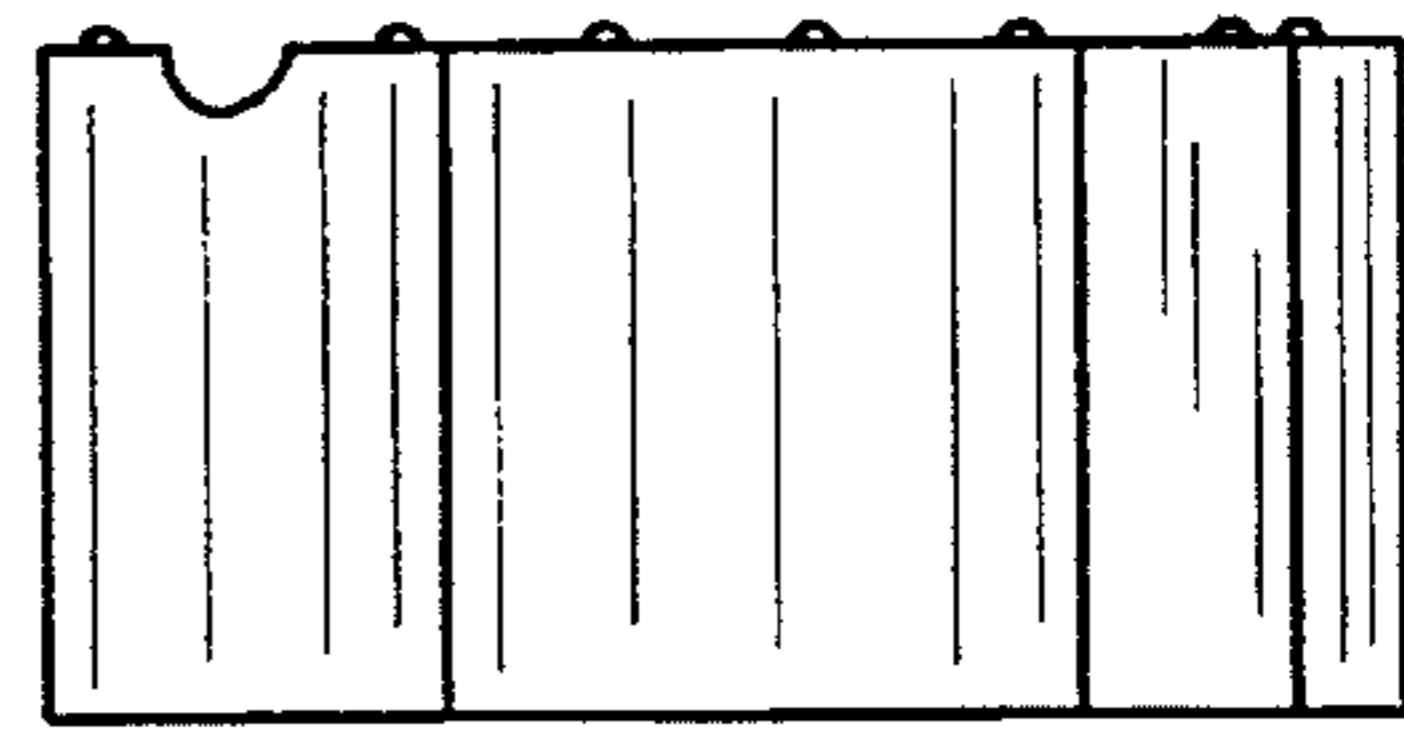


FIG. 6

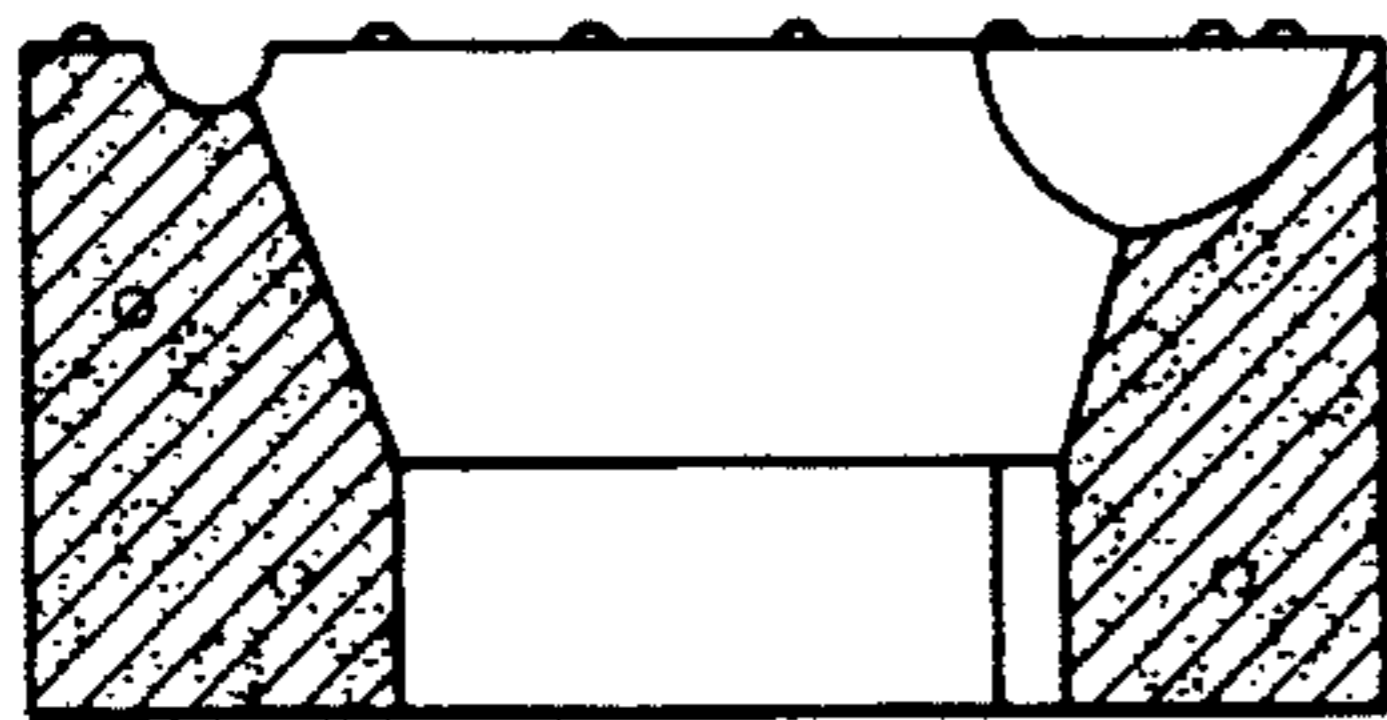


FIG. 7

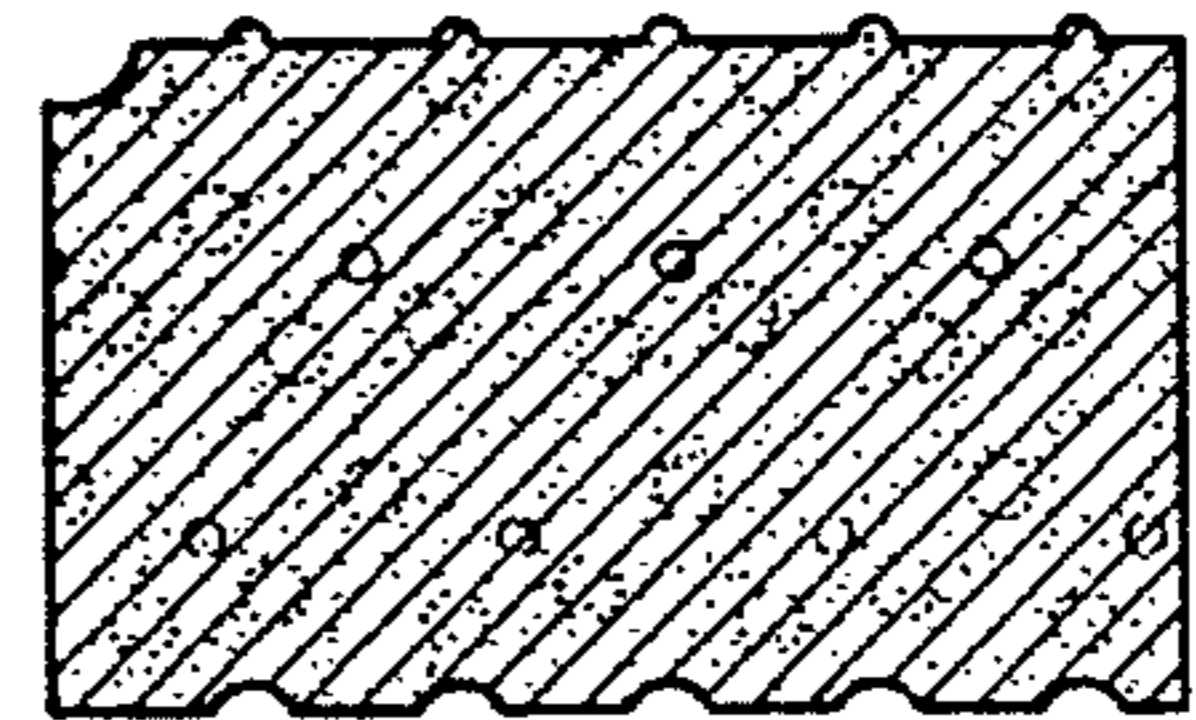


FIG. 8

FIG. 9

