



US00D363785S

# United States Patent [19]

[11] Patent Number: **Des. 363,785**

**Davies**

[45] Date of Patent: **\*\*Oct. 31, 1995**

[54] **EDGING STRIP FOR TILED STEPS**

[75] Inventor: **Alan J. E. Davies**, Hednesford, England

[73] Assignee: **McKechnie UK Limited**, Walsall, England

[\*\*] Term: **14 Years**

[21] Appl. No.: **32,565**

[22] Filed: **Dec. 21, 1994**

[30] **Foreign Application Priority Data**

Jun. 30, 1994 [GB] United Kingdom ..... 2040047

[52] U.S. Cl. .... **D25/69; D25/125; D25/164**

[58] Field of Search ..... D25/68-69, 122, D25/125, 120, 164, 199, 119; D6/587; 52/179, 181, 220.5, 391, 393, 396.1, 396.04, 459, 716.1, 718.01, 287-288, 731.7, 730.6; 428/33, 43

[56] **References Cited**

**U.S. PATENT DOCUMENTS**

Re. 17,205	2/1929	Loehr	.....	D25/69
D. 101,762	11/1936	Bonnell	.....	D25/164
1,528,147	3/1925	Durkee	.....	D25/164
2,835,937	5/1958	Hobbs	.....	52/181
3,411,977	11/1968	Slater, Jr.	.....	428/33

3,589,087	6/1971	DeLazzero	.....	52/181
3,848,379	11/1974	Hazen	.....	52/220.5
4,840,824	6/1989	Davis	.....	D25/69
4,858,404	8/1989	Schluter	.....	52/179
4,905,431	3/1990	Davis	.....	52/181
5,073,430	12/1991	Aidan	.....	428/43

**FOREIGN PATENT DOCUMENTS**

2106558 10/1985 United Kingdom .

*Primary Examiner*—Doris Clark  
*Attorney, Agent, or Firm*—Volpe and Koenig

[57] **CLAIM**

The ornamental design for an edging strip for tiled steps, as shown and described.

**DESCRIPTION**

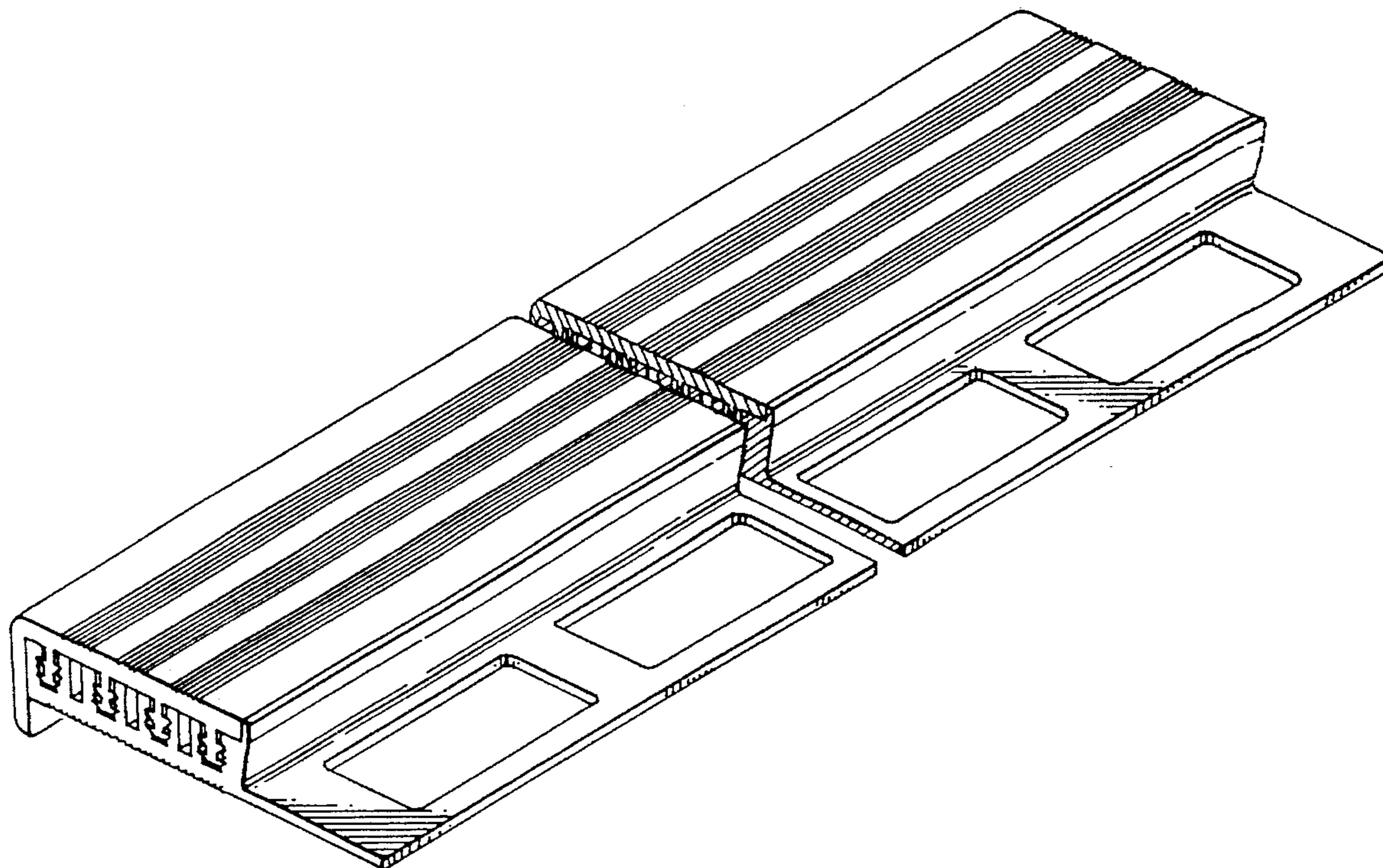
FIG. 1 is a perspective view from one end of the edging strip for tiled steps which is broken in the center to indicate indeterminate length, and the pattern of the openings and grooves is repeated throughout the width thereof;

FIG. 2 is an enlarged view of the other end; and,

FIG. 3 is a perspective view from one end, with parts separated.

The configurations of the extended flange and the grooves located on the bottom left end of the edging strip for tiled steps in FIG. 1, are continuous throughout the width thereof.

**1 Claim, 2 Drawing Sheets**



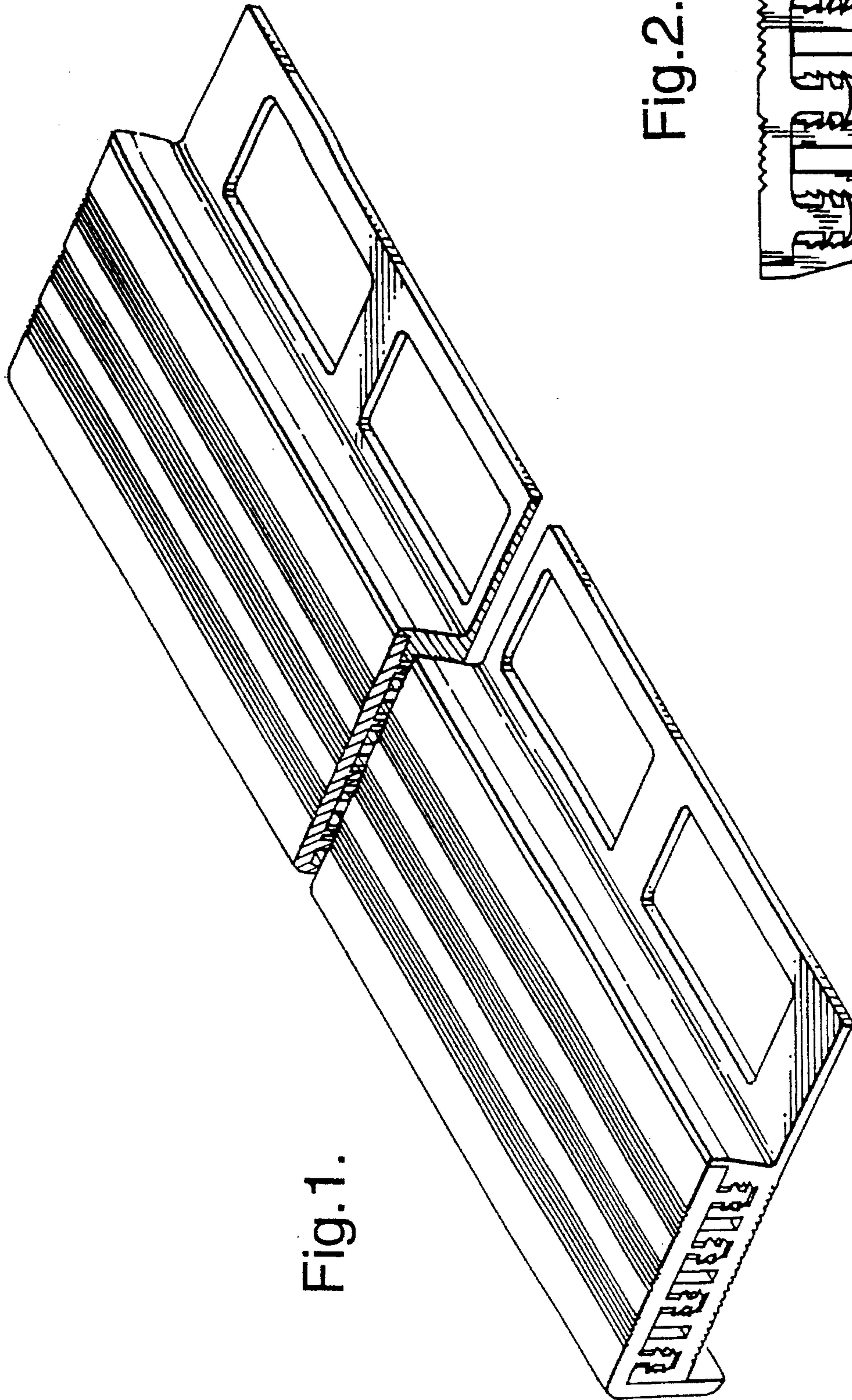
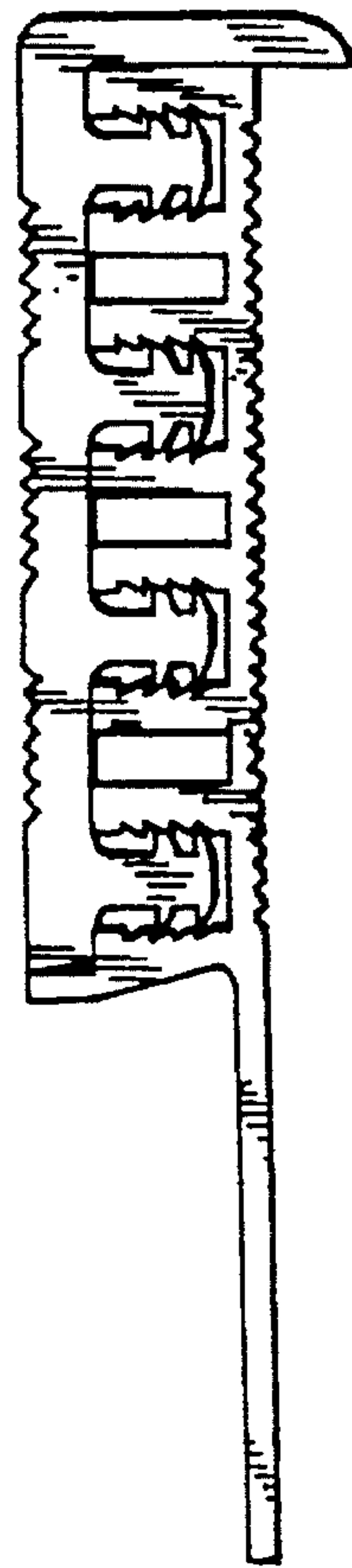


Fig. 1.

Fig. 2.





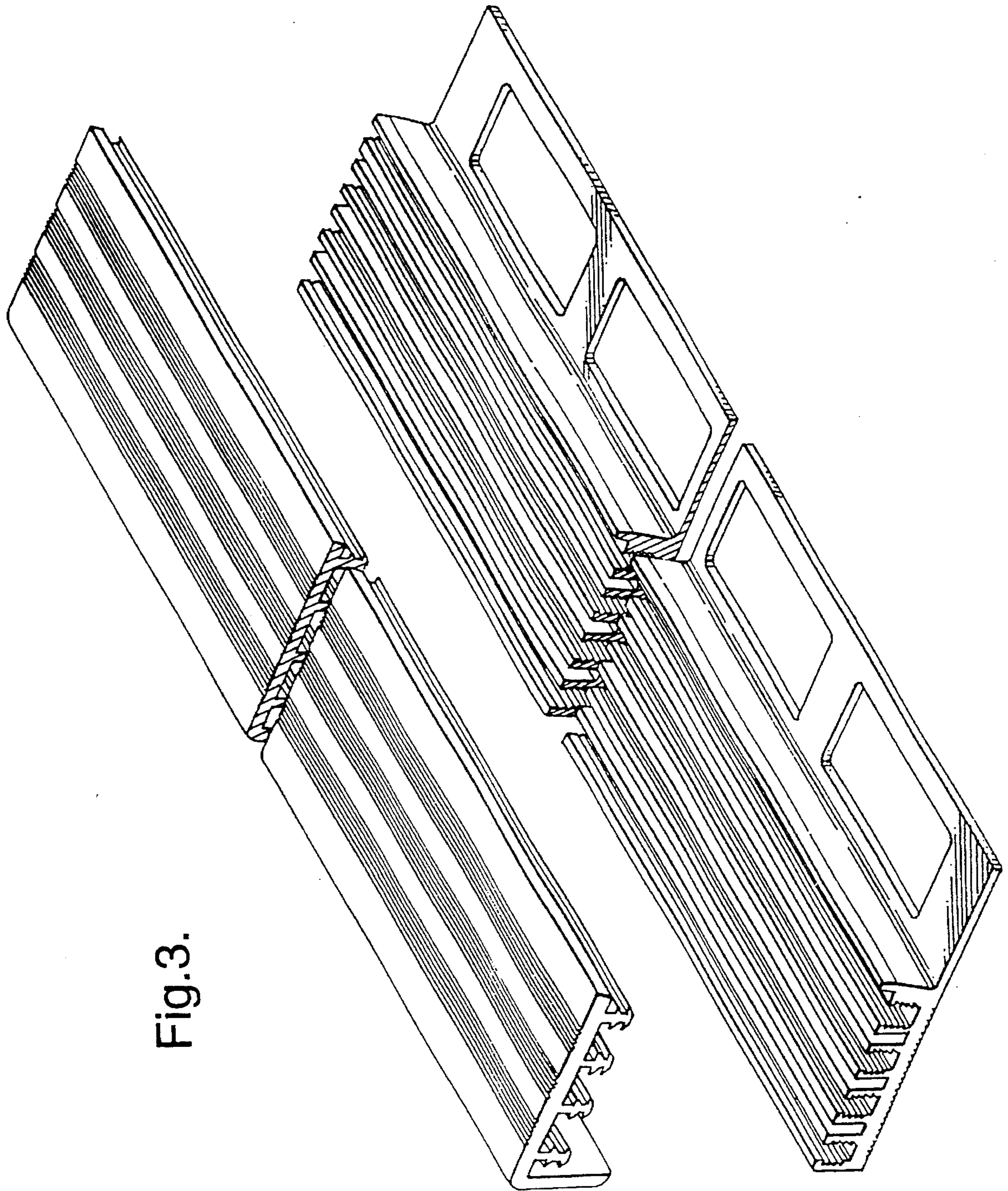


Fig.3.