



US00D363778S

United States Patent [19]

[11] Patent Number: **Des. 363,778**

Cane et al.

[45] Date of Patent: ****Oct. 31, 1995**

[54] **COUPLER FOR ADAPTING A BEAM SPLITTER TO AN OTOSCOPE**

[76] Inventors: **Richard M. Cane; Wayne R. Byard,**
both of 13790 N.W. 4th Street, Sunrise,
Fla. 33325

[**] Term: **14 Years**

[21] Appl. No.: **5,079**

[22] Filed: **Feb. 22, 1993**

[52] U.S. Cl. **D24/172; D24/129; D24/137**

[58] **Field of Search** D14/114; D13/148,
D13/151; D8/382, 396; 128/4, 6, 9; D24/150,
133, 137, 129, 137, 172

[56] **References Cited**

U.S. PATENT DOCUMENTS

D. 243,406	2/1977	Mooney et al.	D13/151
D. 243,407	2/1977	Mooney et al.	D13/151 X
D. 313,929	1/1991	Fridan	D8/396 X
D. 320,074	9/1991	Frost et al.	D24/172 X
D. 342,891	1/1994	Marui	D8/396
D. 344,672	3/1994	Current	D8/396 X

D. 357,319	4/1995	Volk	D24/172
4,517,963	5/1985	Michel	128/6
4,565,423	1/1986	Ueda	128/6 X
4,785,796	11/1988	Mattson	128/9
4,903,706	2/1990	Vila-Cora et al.	D24/150 X
5,239,984	8/1993	Cane et al.	128/9
5,363,839	11/1994	Lankford	128/9

Primary Examiner—Melanie H. Tung
Attorney, Agent, or Firm—M. K. Silverman

[57] **CLAIM**

The ornamental design for an coupler for adapting a beam splitter to an otoscope, as shown and described.

DESCRIPTION

FIG. 1 is a perspective view of the coupler for adapting a beam splitter to an otoscope;
FIG. 2 is a front elevational view thereof;
FIG. 3 is a left side view of the coupler for adapting a beam splitter to an otoscope, the right side view of which is identical;
FIG. 4 is a rear elevational view thereof; and,
FIG. 5 is a top view, the bottom of which is identical thereto.

1 Claim, 1 Drawing Sheet

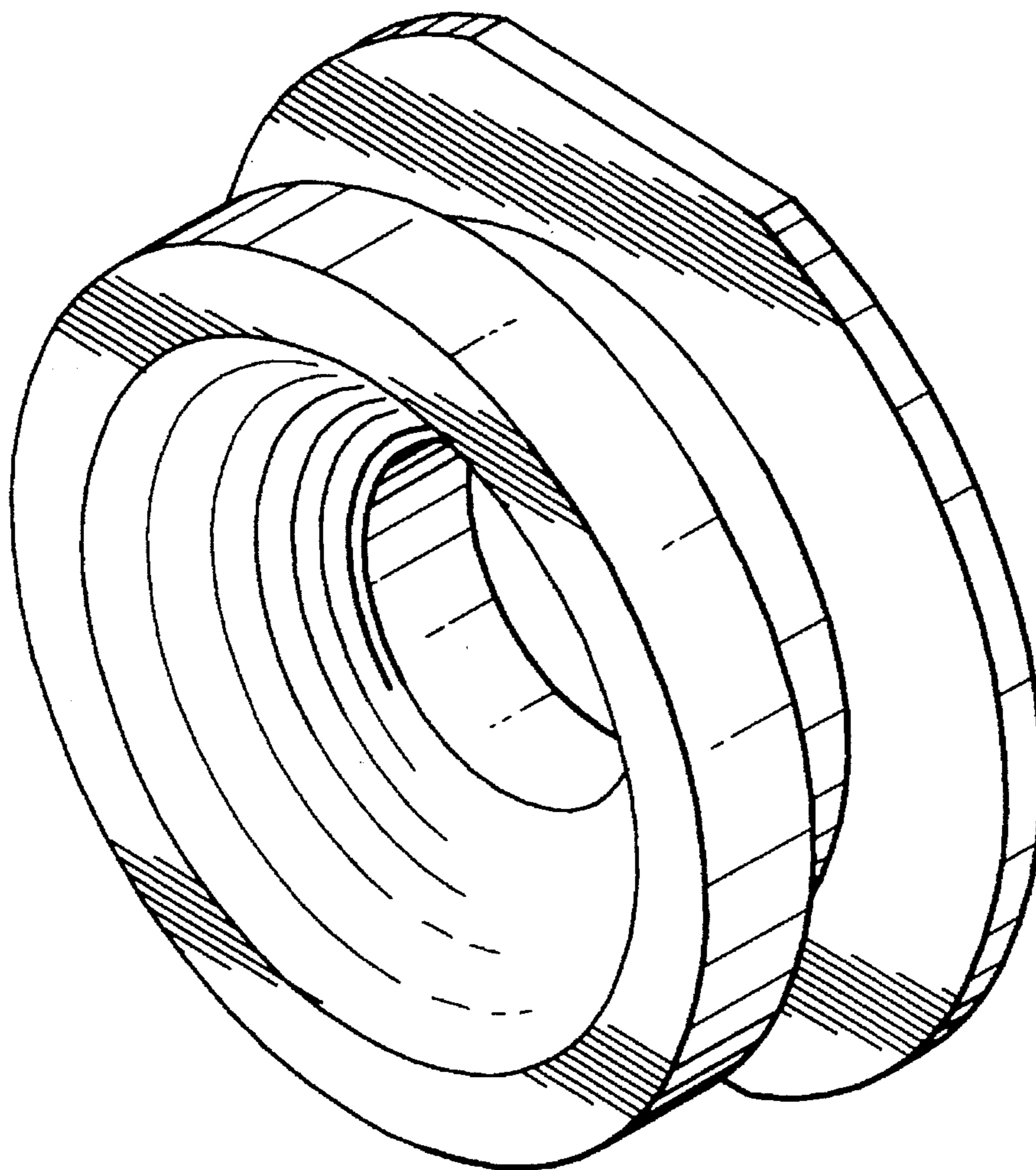


FIG. 1.

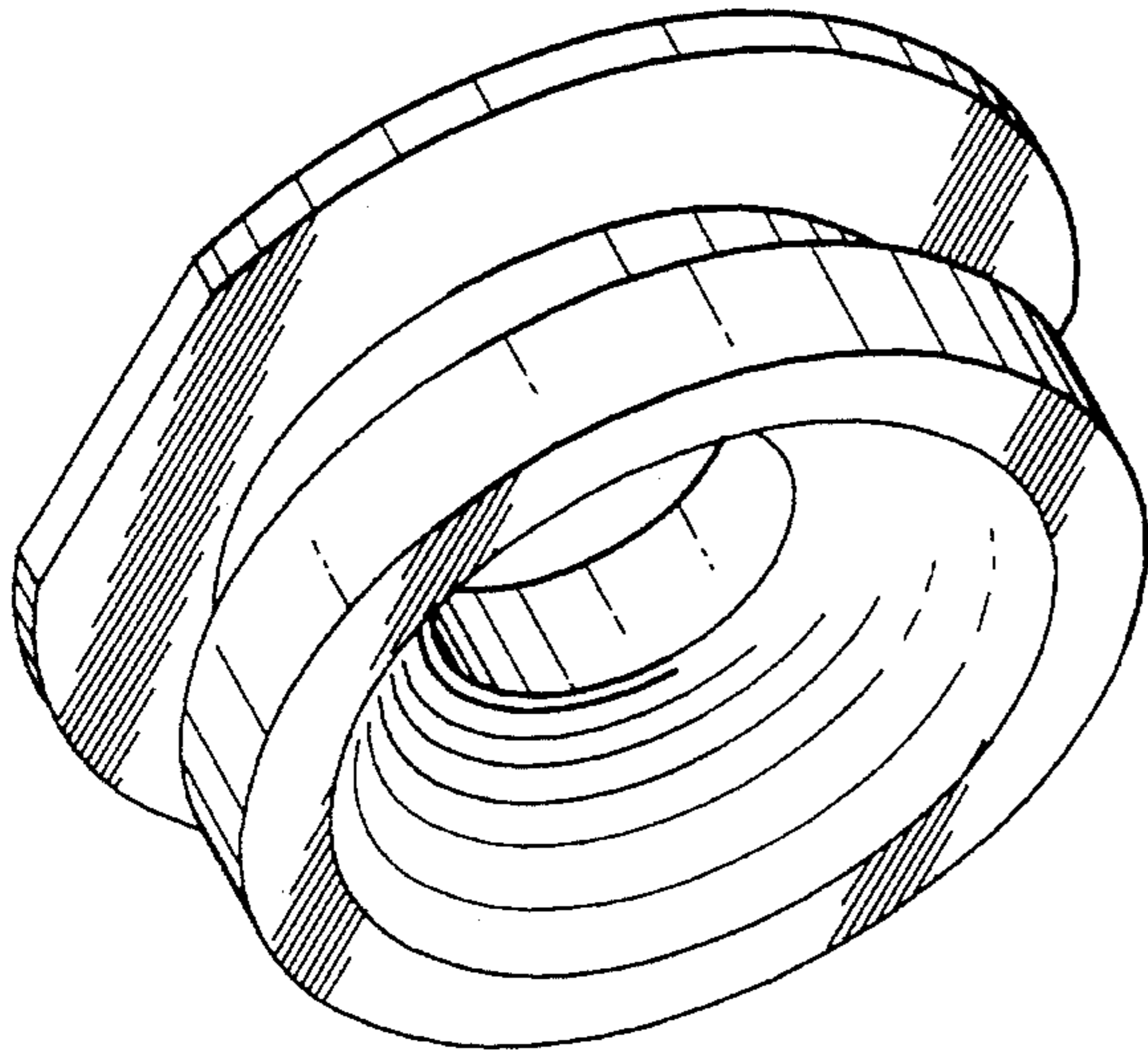


FIG. 2.

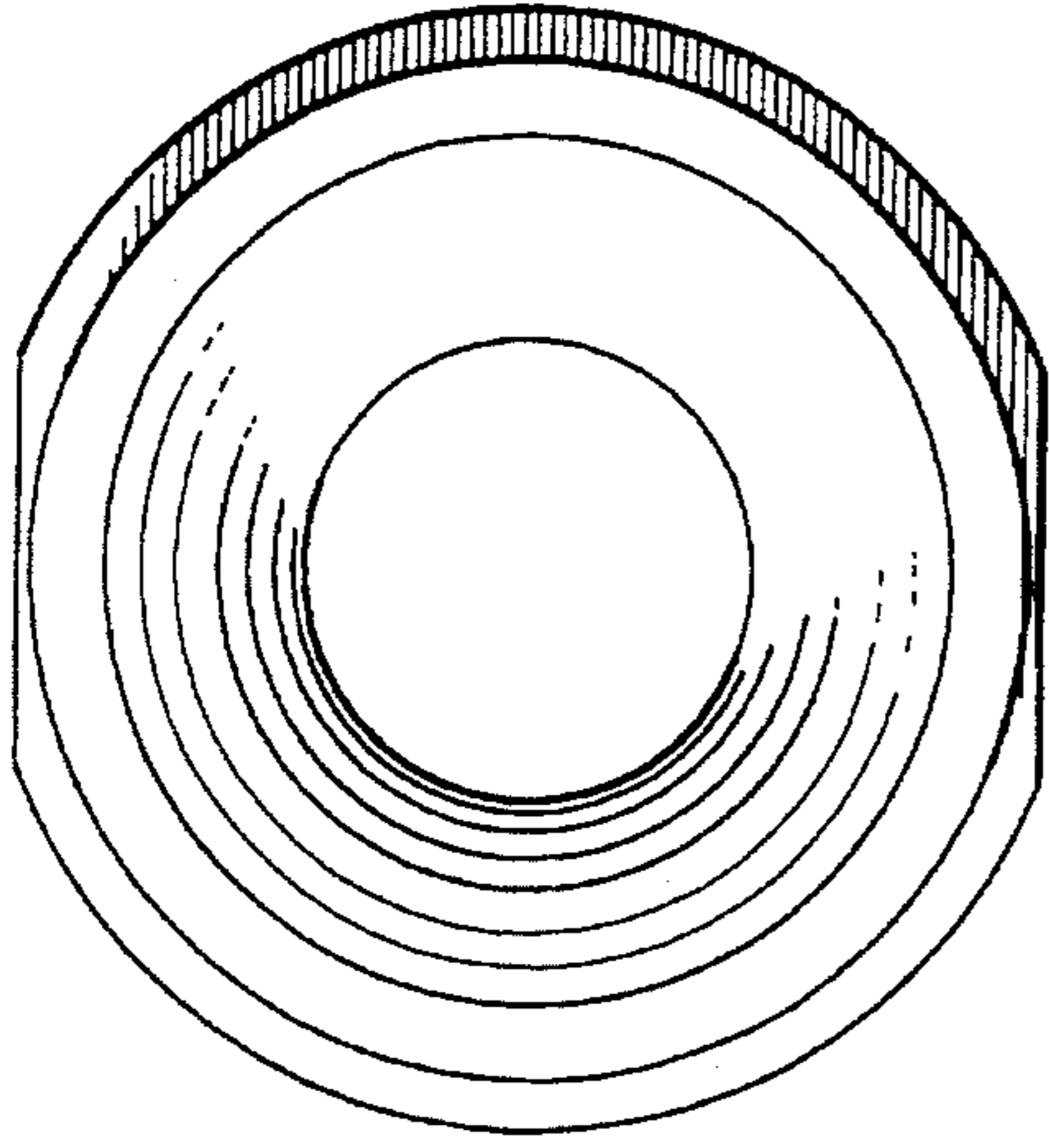


FIG. 3.

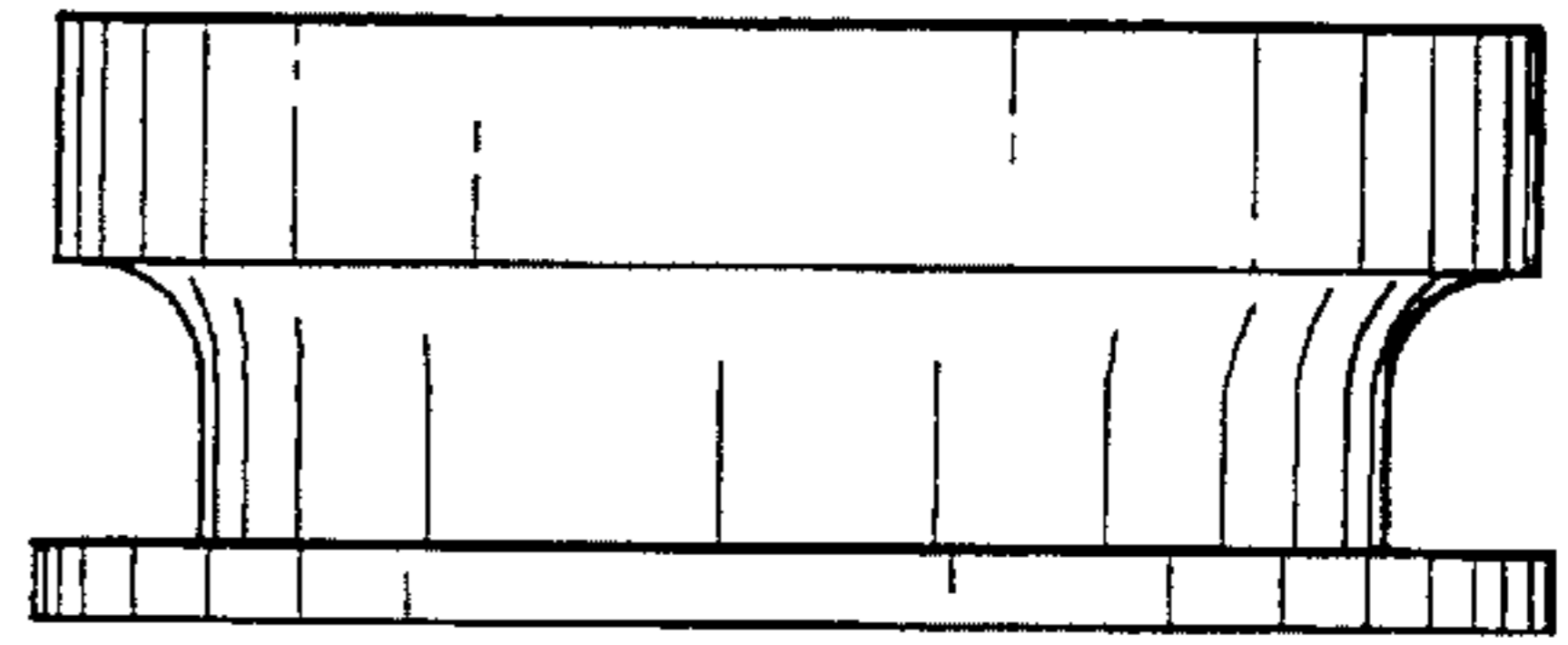


FIG. 4.

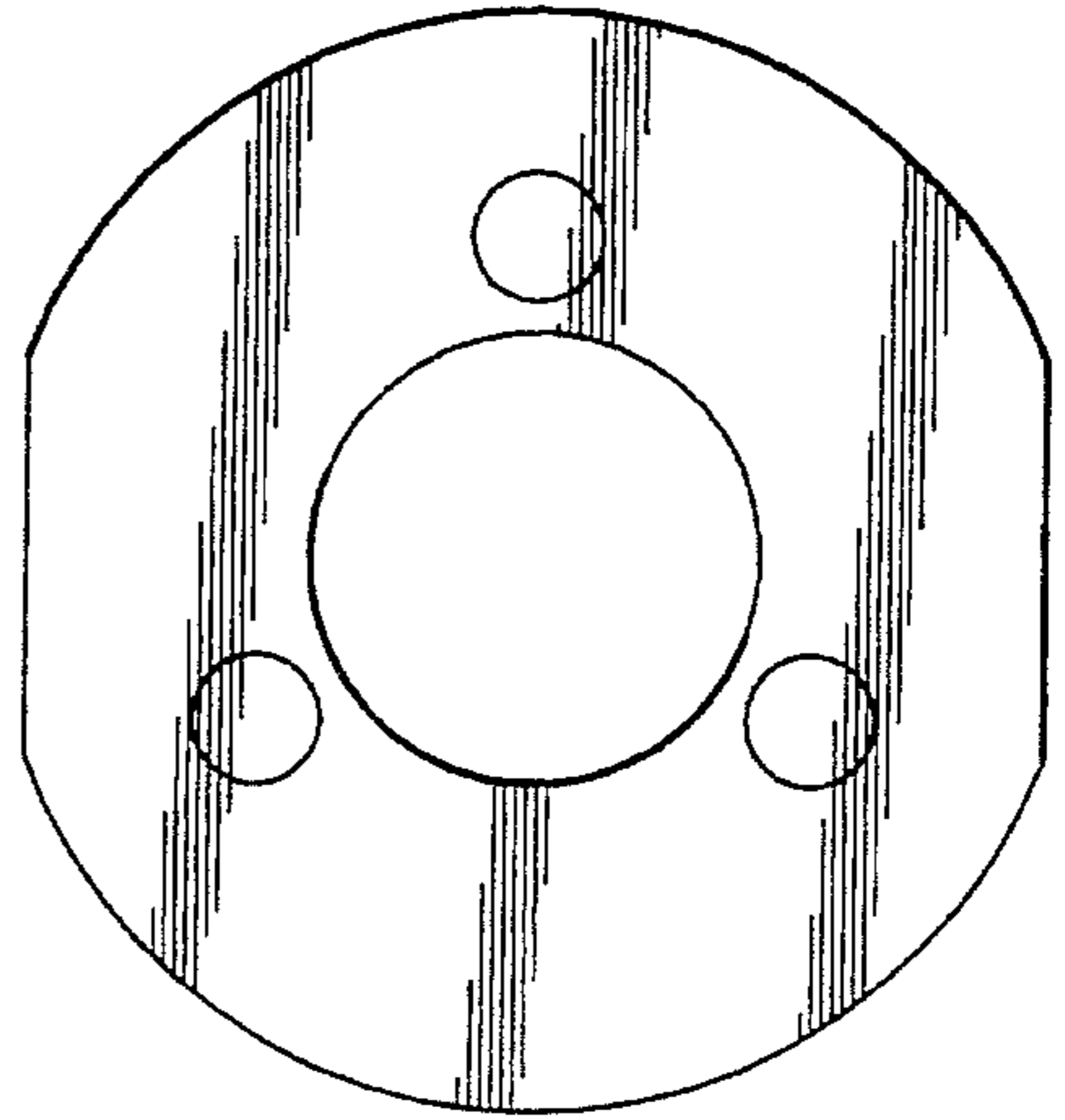


FIG. 5.

