



US00D363777S

United States Patent [19]

[11] Patent Number: **Des. 363,777**

Rees

[45] Date of Patent: ****Oct. 31, 1995**

[54] **HAND HELD ANGIOPLASTY SURGICAL INSTRUMENT FOR RECIPROCATING A GUIDEWIRE WITHIN A CATHETER**

5,243,997 9/1993 Uflacker et al. 606/22 X
5,314,407 5/1994 Auth et al. 604/22

[75] Inventor: **Michael R. Rees**, Newcastle under Lyme, England

Primary Examiner—Louis S. Zarfes
Assistant Examiner—I. Simmons
Attorney, Agent, or Firm—Richard E. Jenkins

[73] Assignee: **Medical Miracles Company**, West Yorkshire, England

[57] **CLAIM**

[**] Term: **14 Years**

The ornamental design for a hand held angioplasty surgical instrument for reciprocating a guidewire within a catheter, as shown and described.

[21] Appl. No.: **21,781**

DESCRIPTION

[22] Filed: **Apr. 20, 1994**

[52] U.S. Cl. **D24/146; D24/113; D24/133**

[58] **Field of Search** D24/133, 146, D24/112, 113, 140; 128/72, 657, 43, 754; 604/22, 164; 606/169, 171

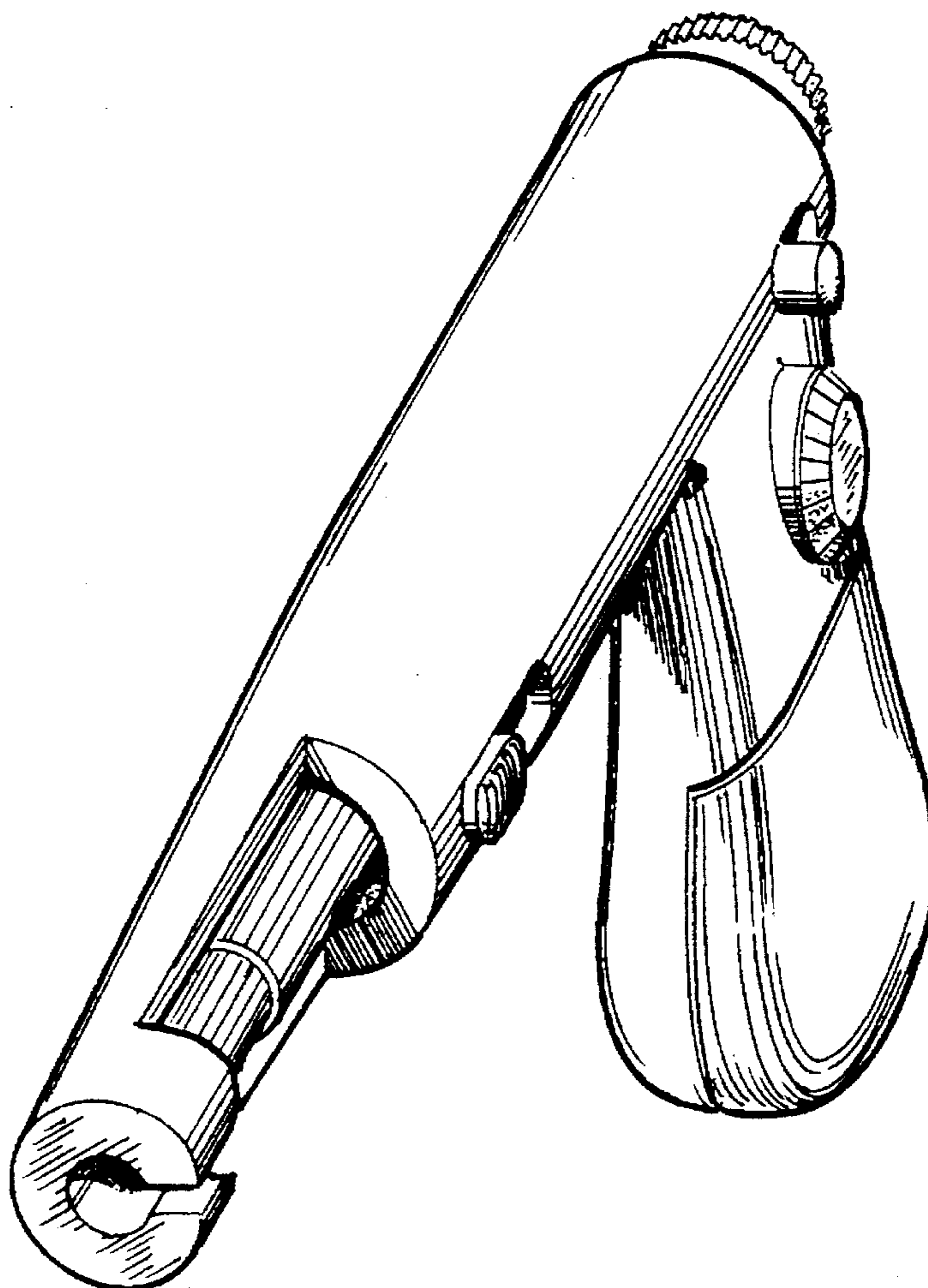
FIG. 1 is a side elevation view of a hand held angioplasty surgical instrument for reciprocating a guidewire within a catheter showing my new design;
FIG. 2 is a side elevational view thereof, opposite that shown in FIG. 1;
FIG. 3 is a top plan view thereof;
FIG. 4 is a bottom plan view thereof;
FIG. 5 is a front elevational view thereof;
FIG. 6 is a rear elevational view thereof;
FIG. 7 is a front top perspective view thereof; and,
FIG. 8 is a rear top perspective view thereof.

[56] **References Cited**

U.S. PATENT DOCUMENTS

4,867,156 9/1989 Stack et al. 128/754 X
5,078,723 1/1992 Dance et al. 604/22 X
5,156,143 10/1992 Bocquet et al. 604/22 X
5,163,421 11/1992 Bernstein et al. 606/169 X

1 Claim, 4 Drawing Sheets



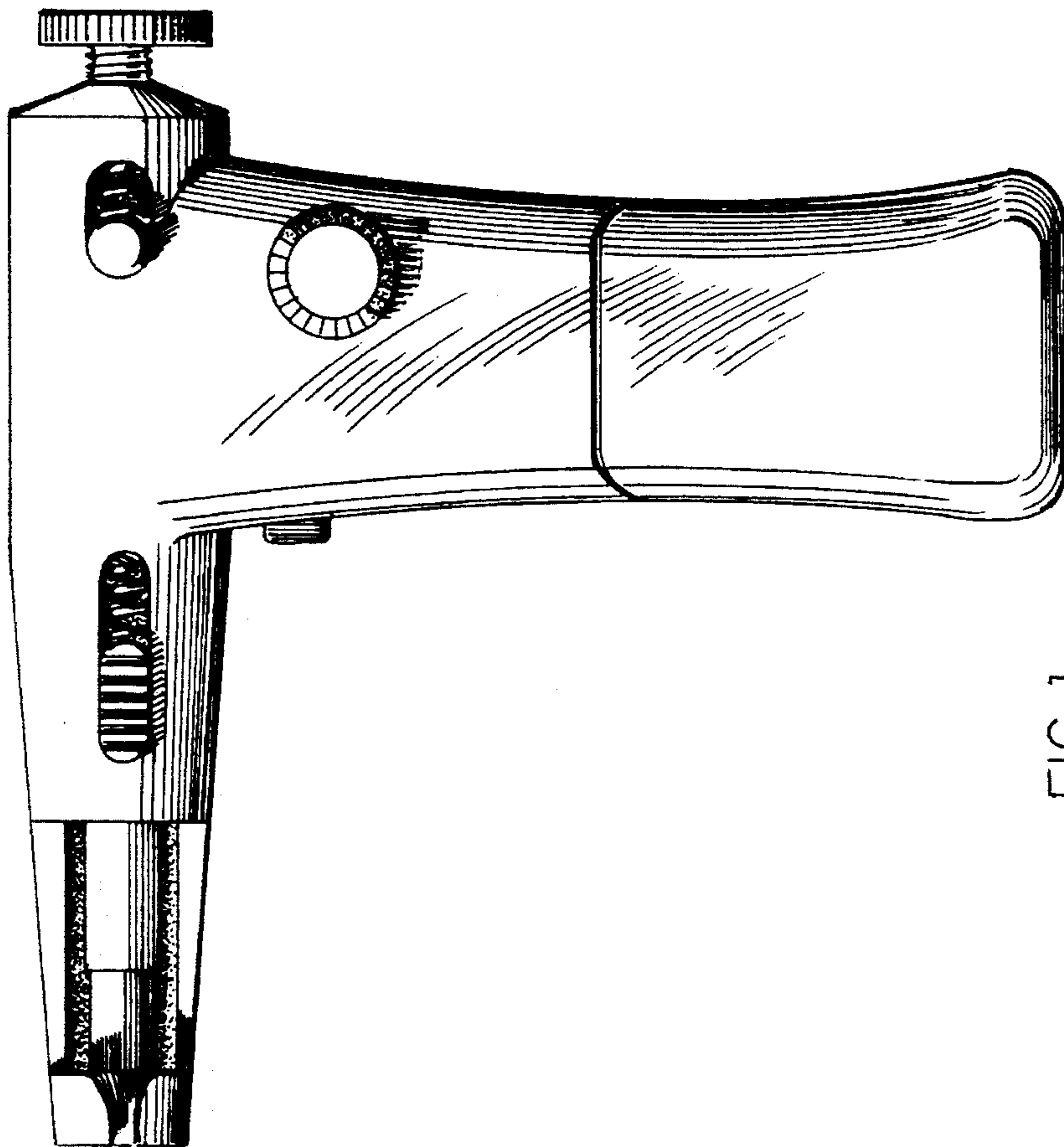


FIG. 1

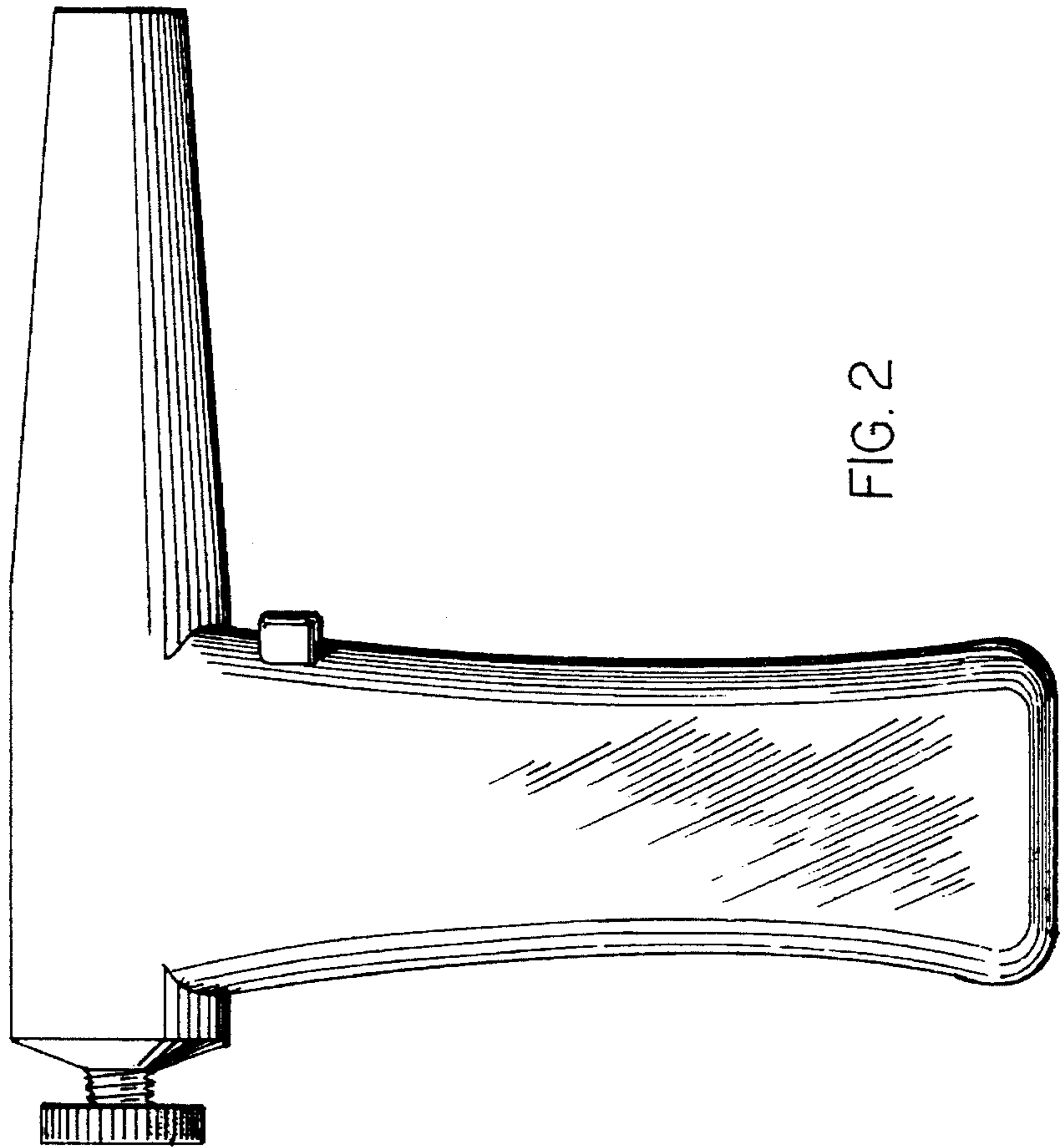


FIG. 2

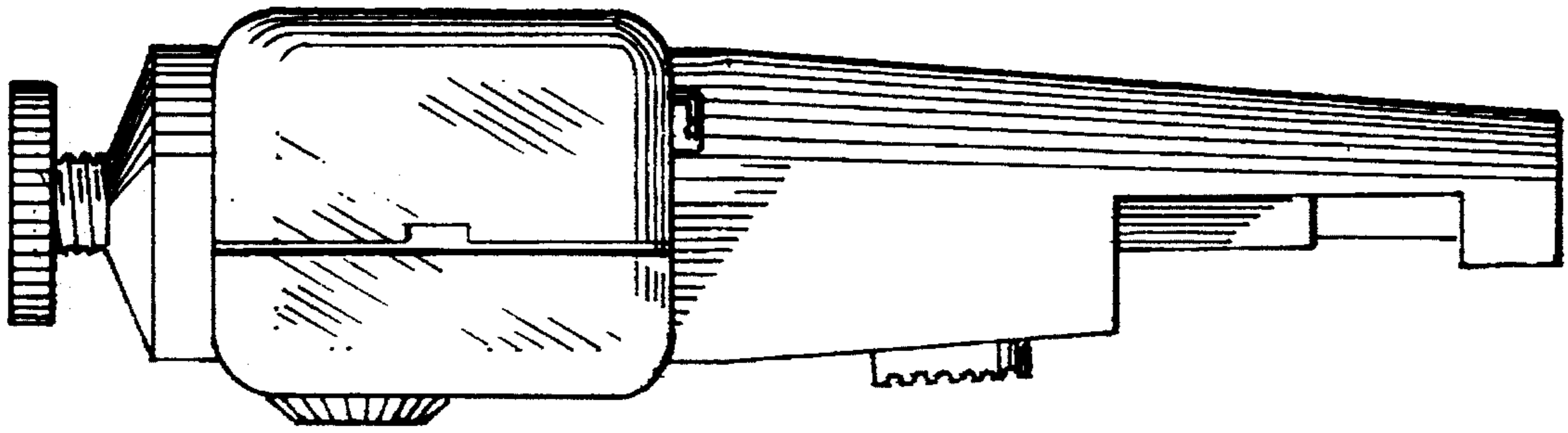


FIG. 4

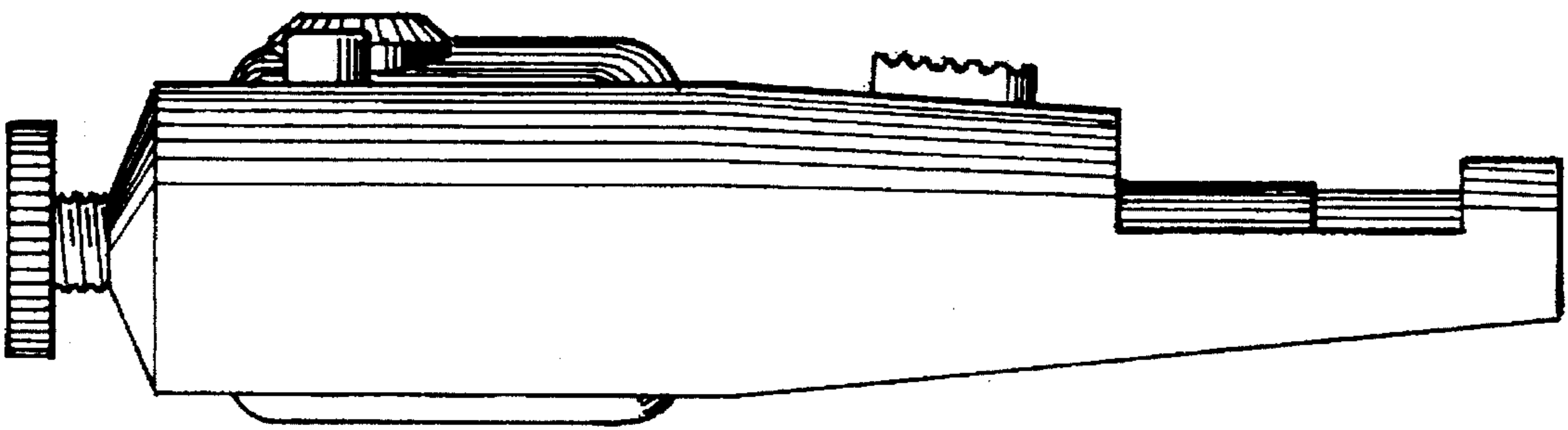


FIG. 3

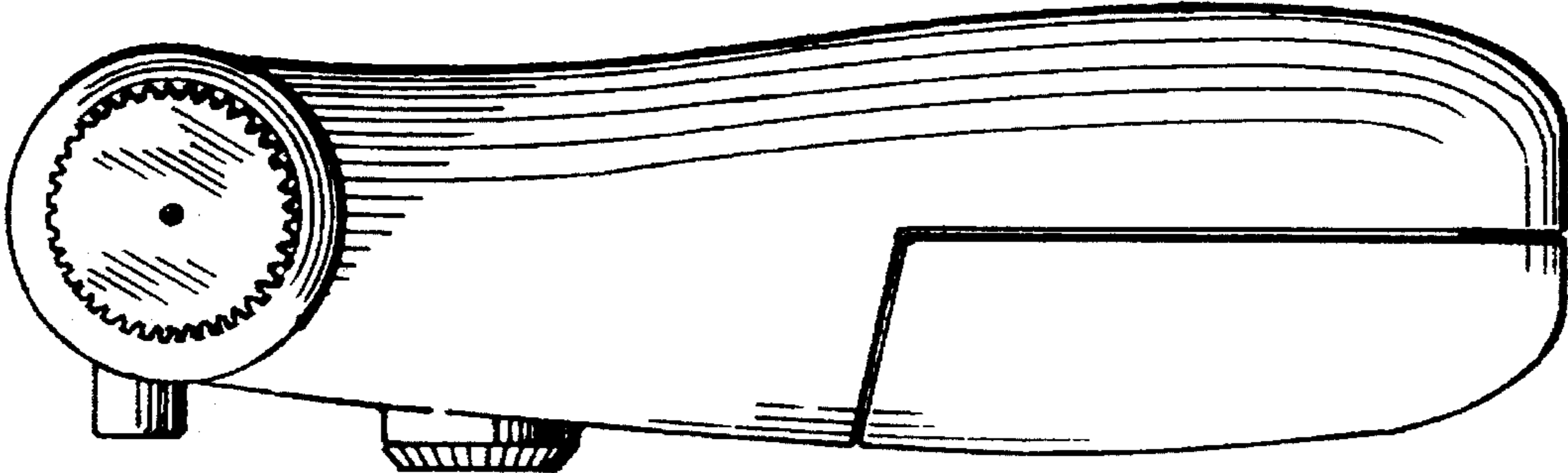


FIG. 6

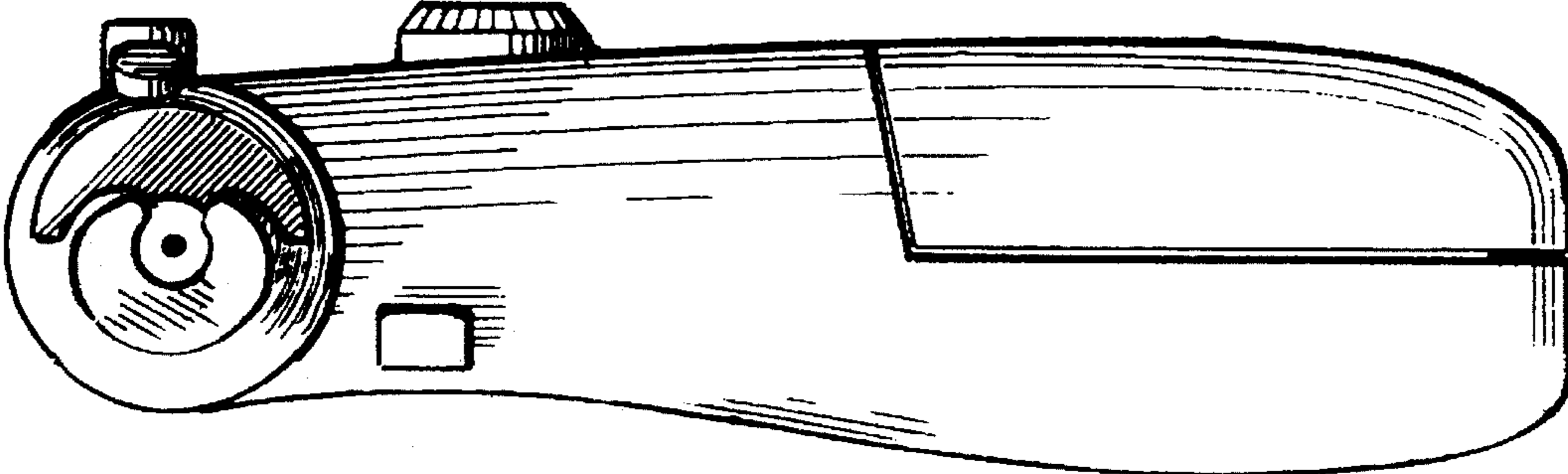


FIG. 5

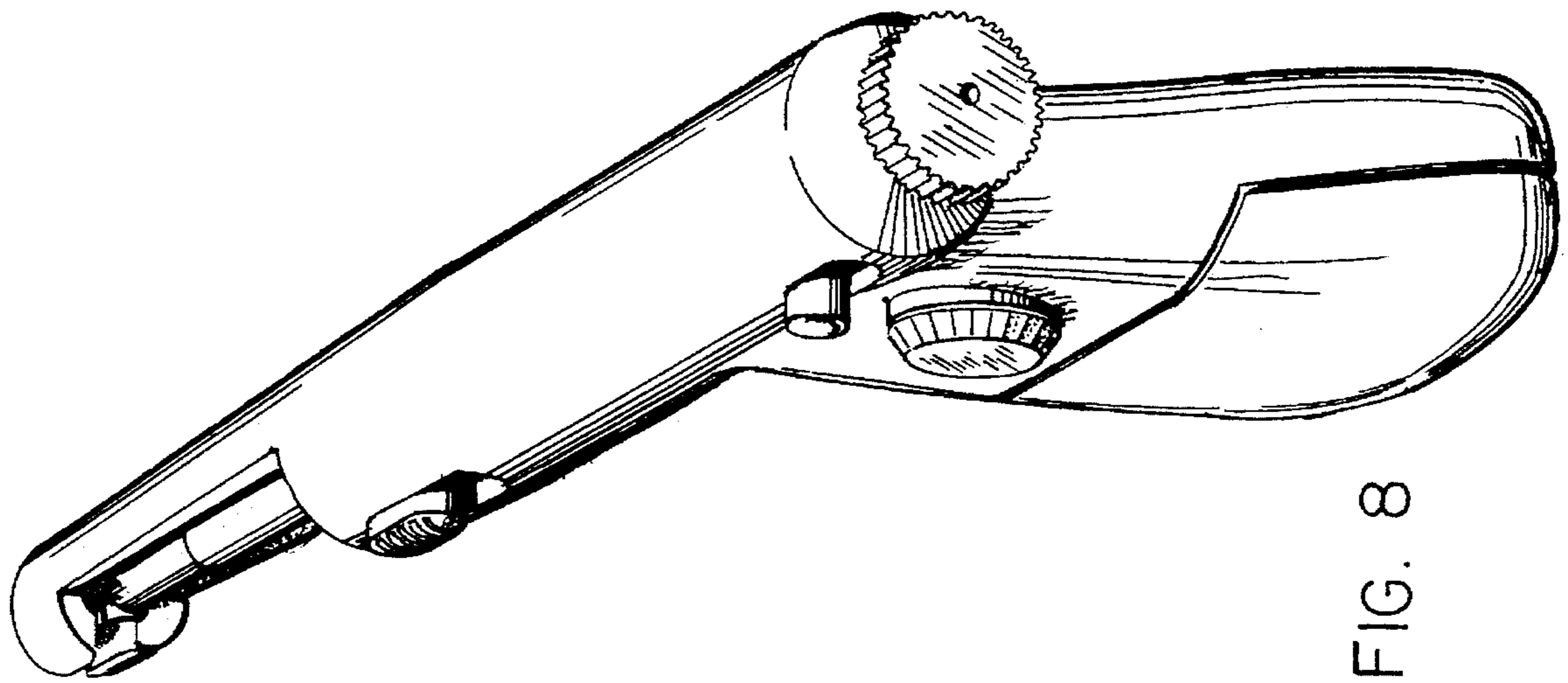


FIG. 8

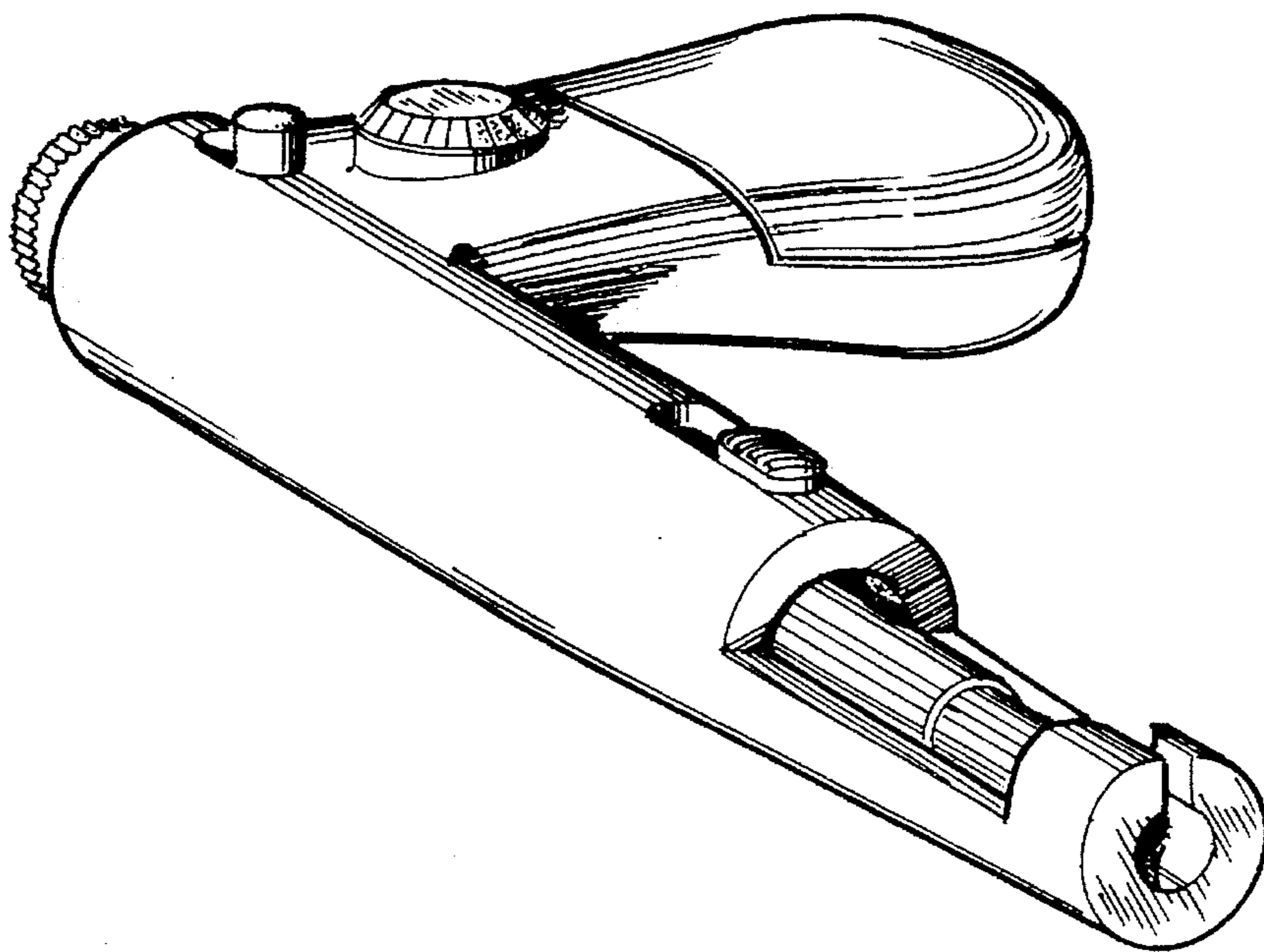


FIG. 7