



US00D363776S

# United States Patent [19]

Rowland et al.

[11] Patent Number: **Des. 363,776**

[45] Date of Patent: **\*\*\* Oct. 31, 1995**

[54] **ENDOSCOPIC GUIDEWIRE FOR A CATHETER**

[75] Inventors: **Christopher A. Rowland**, Marlboro; **Earl F. Bardsley**, Arlington; **Richard DeMello**, Acton, all of Mass.

[73] Assignee: **Boston Scientific Corporation**, Natick, Mass.

[\*] Notice: The portion of the term of this patent subsequent to Oct. 24, 2009, has been disclaimed.

[\*\*] Term: **14 Years**

[21] Appl. No.: **11,820**

[22] Filed: **Aug. 16, 1993**

[52] U.S. Cl. .... **D24/140; D24/112**

[58] Field of Search ..... D24/140, 133, D24/138; 128/772, 657; 606/191, 194; 604/96, 164, 170

[56] **References Cited**

**U.S. PATENT DOCUMENTS**

D. 343,900 2/1994 DeVries ..... D24/133  
4,796,642 1/1989 Harris ..... 128/772

4,946,443	8/1990	Hauser et al. ....	604/165
4,951,686	8/1990	Herlitze .....	128/772
4,991,602	2/1991	Amplatz et al. ....	128/772
5,221,257	6/1993	Rosenbloom et al. ....	128/772 X
5,308,324	5/1994	Hammerslag et al. ....	128/772 X
5,333,620	8/1994	Moutalis et al. ....	128/772
5,339,833	8/1994	Berthiaume et al. ....	128/772

*Primary Examiner*—Louis S. Zarfaz  
*Assistant Examiner*—I. Simmons  
*Attorney, Agent, or Firm*—Frances P. Craig

[57] **CLAIM**

The ornamental design for an endoscopic guidewire for a catheter, as shown and described.

**DESCRIPTION**

FIG. 1 is a front elevational view of an endoscopic guidewire for a catheter showing our new design, the guidewire being shown broken in the center to indicate indeterminate length;  
FIG. 2 is a rear elevational view thereof;  
FIG. 3 is an end elevational view thereof;  
FIG. 4 is an end elevational view thereof, opposite that shown in FIG. 3; and,  
FIG. 5 is a top front perspective view thereof.

**1 Claim, 2 Drawing Sheets**

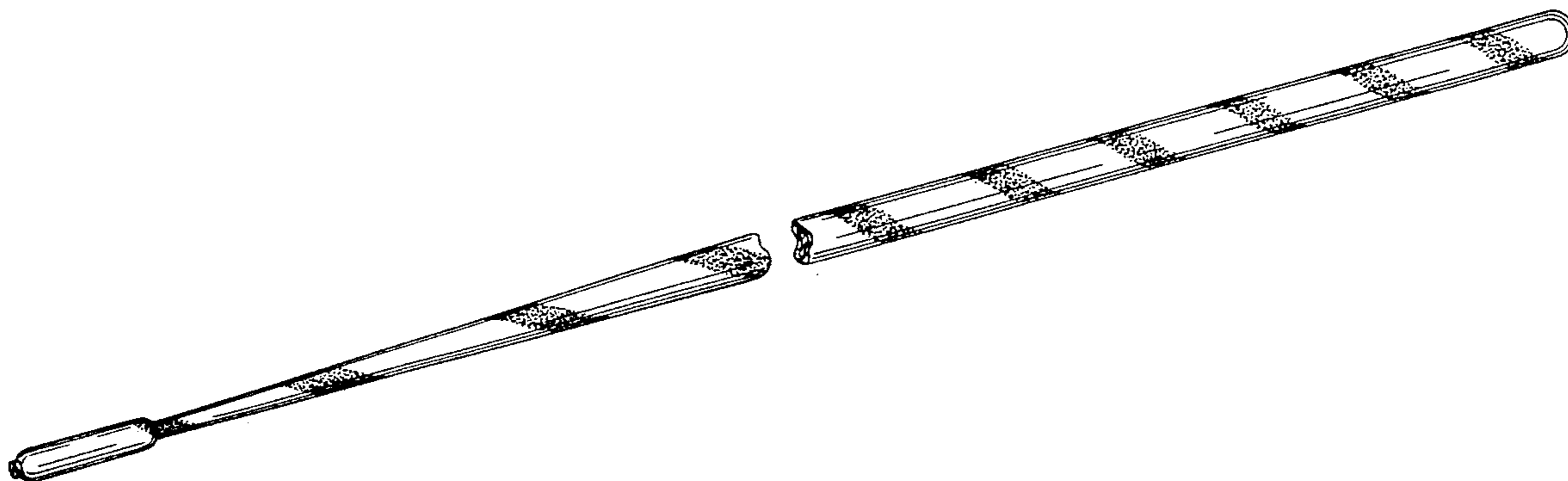




FIG. 1



FIG. 2



FIG. 3



FIG. 4

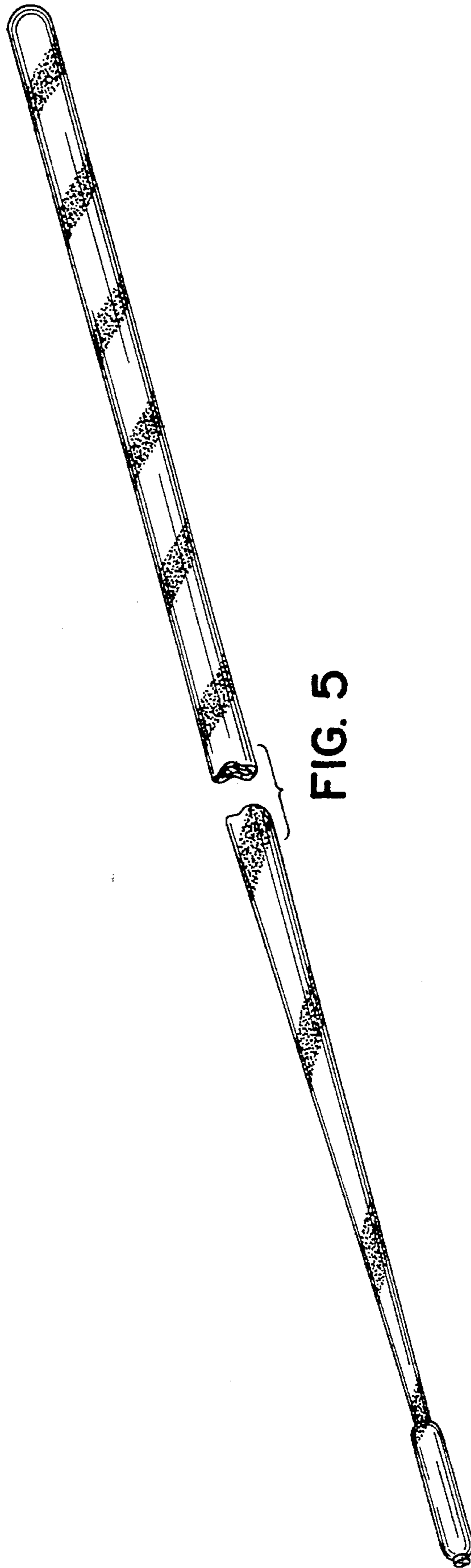


FIG. 5