



US00D363775S

# United States Patent [19] Hobbs

[11] Patent Number: **Des. 363,775**

[45] Date of Patent: **\*\*Oct. 31, 1995**

[54] **MULTIDOSE DRY POWDER INHALER**

[75] Inventor: **Michael A. Hobbs**, Dagenham, United Kingdom

[73] Assignee: **Rhone-Poulenc Rorer Limited**, Eastbourne, United Kingdom

[\*\*] Term: **14 Years**

[21] Appl. No.: **24,756**

[22] Filed: **Jun. 21, 1994**

[52] U.S. Cl. .... **D24/110**

[58] Field of Search ..... D24/110; 128/203.14, 128/203.15, 200.23, 205.13, 200.21, 203.13, 200.14

[56] **References Cited**

**U.S. PATENT DOCUMENTS**

D. 299,066	12/1988	Newell et al. ....	D24/110
D. 350,602	9/1994	Hobbs .....	D24/110
5,070,870	5/1991	Pearce .....	128/203.15

5,207,217	5/1993	Cocozza et al. ....	128/203.15 X
5,372,128	12/1994	Haber et al. ....	128/203.15 X
5,388,572	2/1995	Mulhauser et al. ....	128/203.15

*Primary Examiner*—Lou Zarfaz  
*Assistant Examiner*—I. Simmons  
*Attorney, Agent, or Firm*—Ross J. Oehler

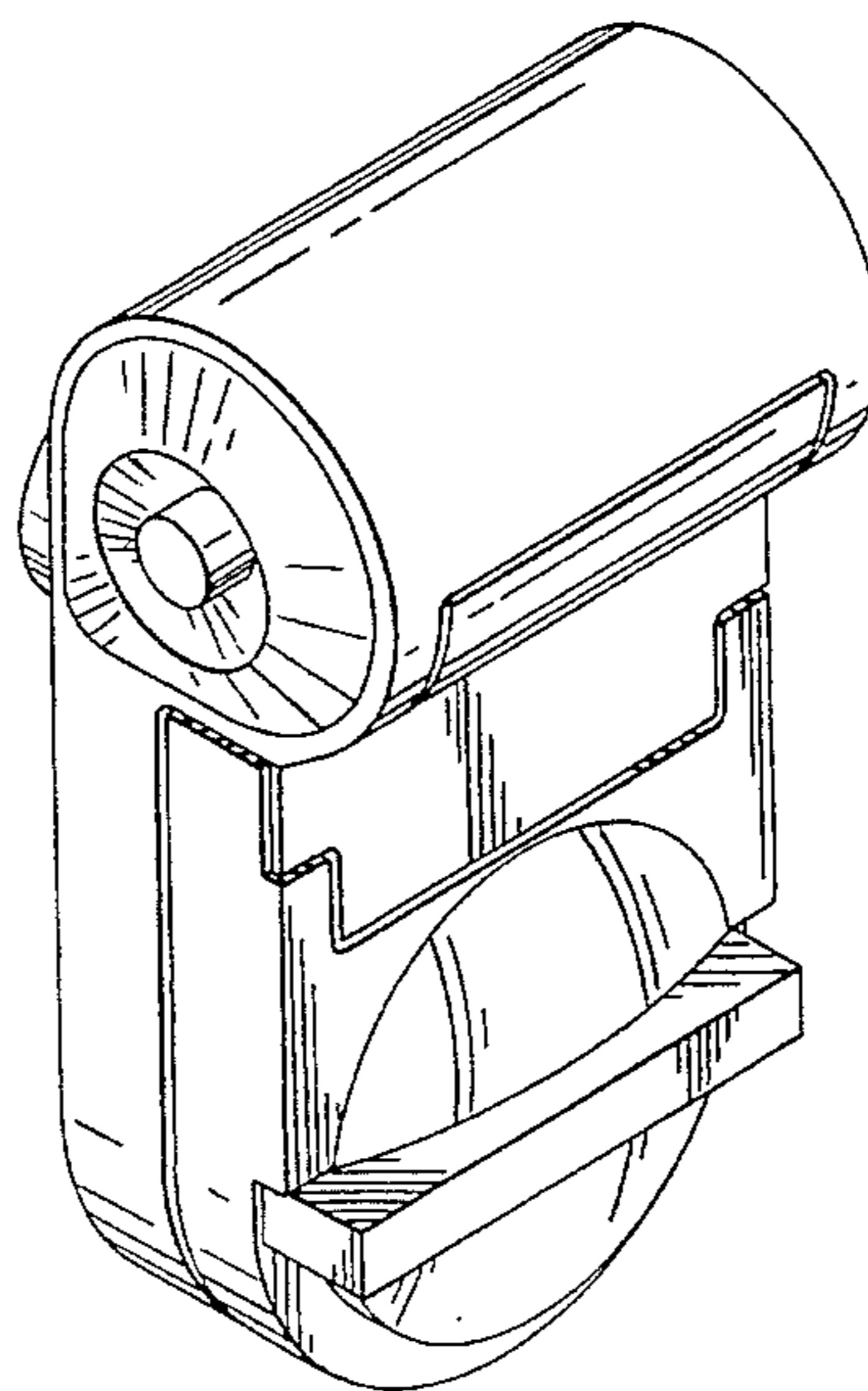
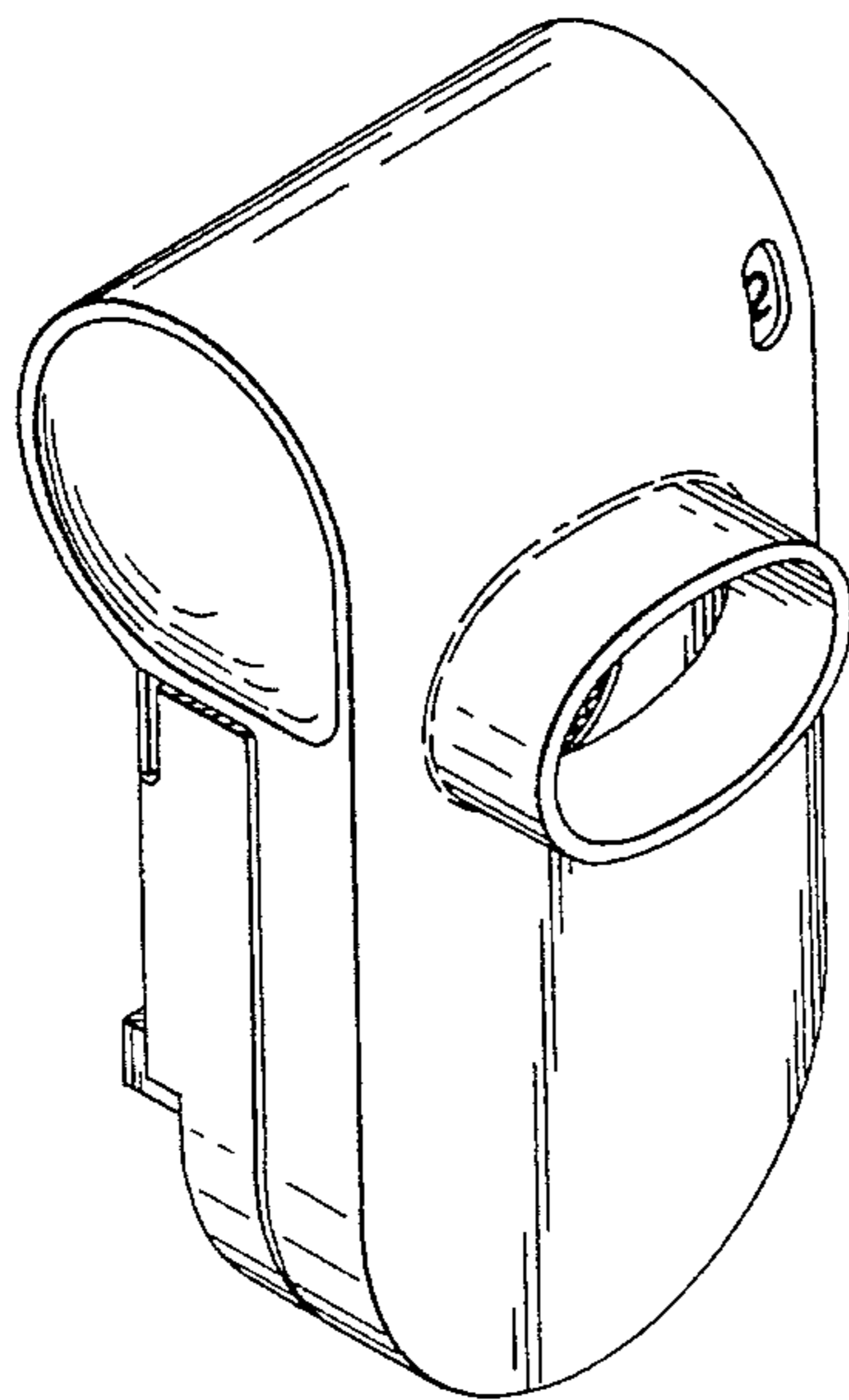
[57] **CLAIM**

The ornamental design for a multidose dry powder inhaler, as shown and described.

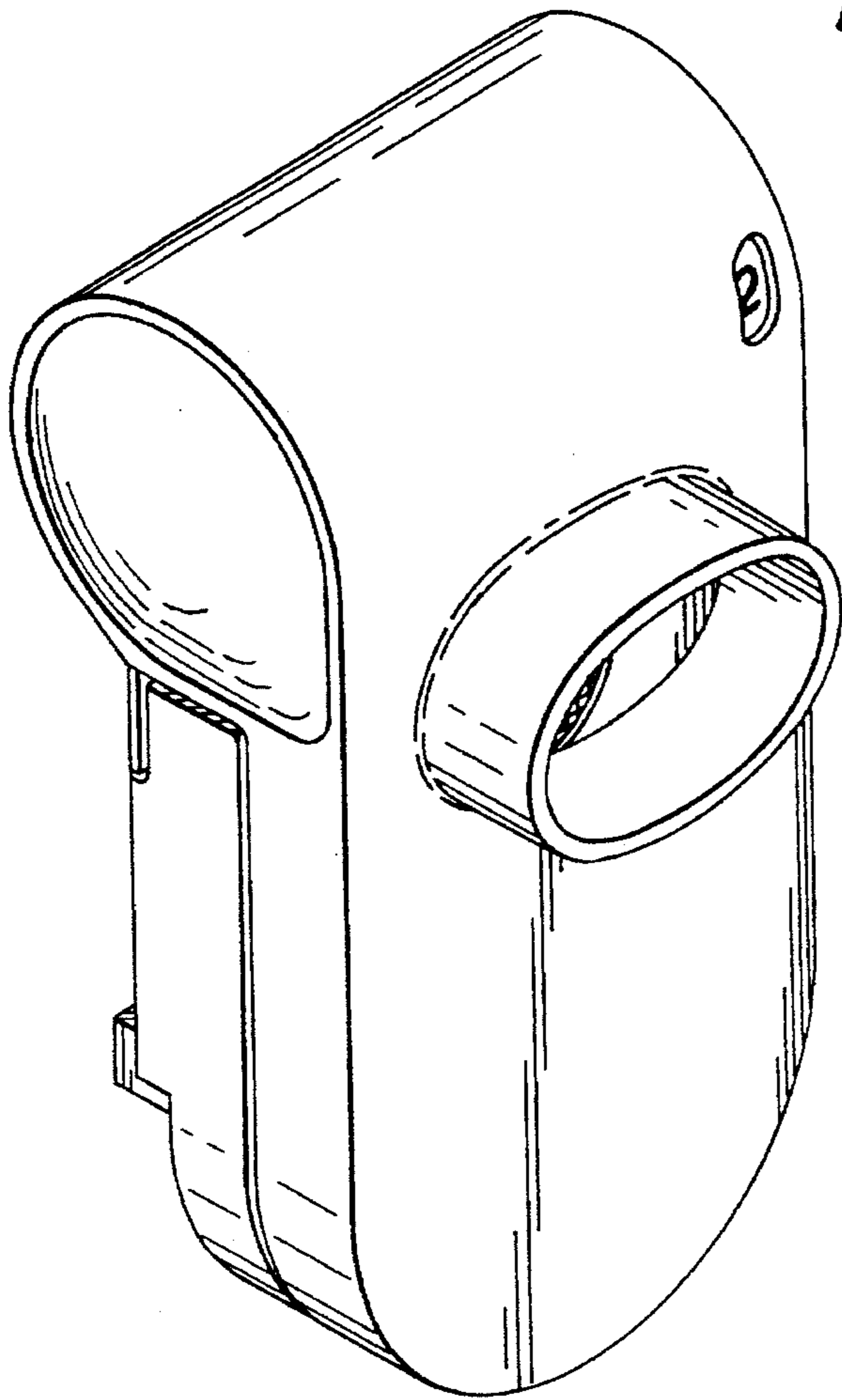
**DESCRIPTION**

FIG. 1 is a right side rear perspective view of a multidose dry powder inhaler in accordance with my new design; FIG. 2 is a left side front perspective view thereof; FIG. 3 is a rear elevational view thereof; FIG. 4 is a right side elevational view thereof; FIG. 5 is a front elevational view thereof; FIG. 6 is a left side elevational view thereof; FIG. 7 is a top plan view thereof; and, FIG. 8 is a bottom plan view thereof.

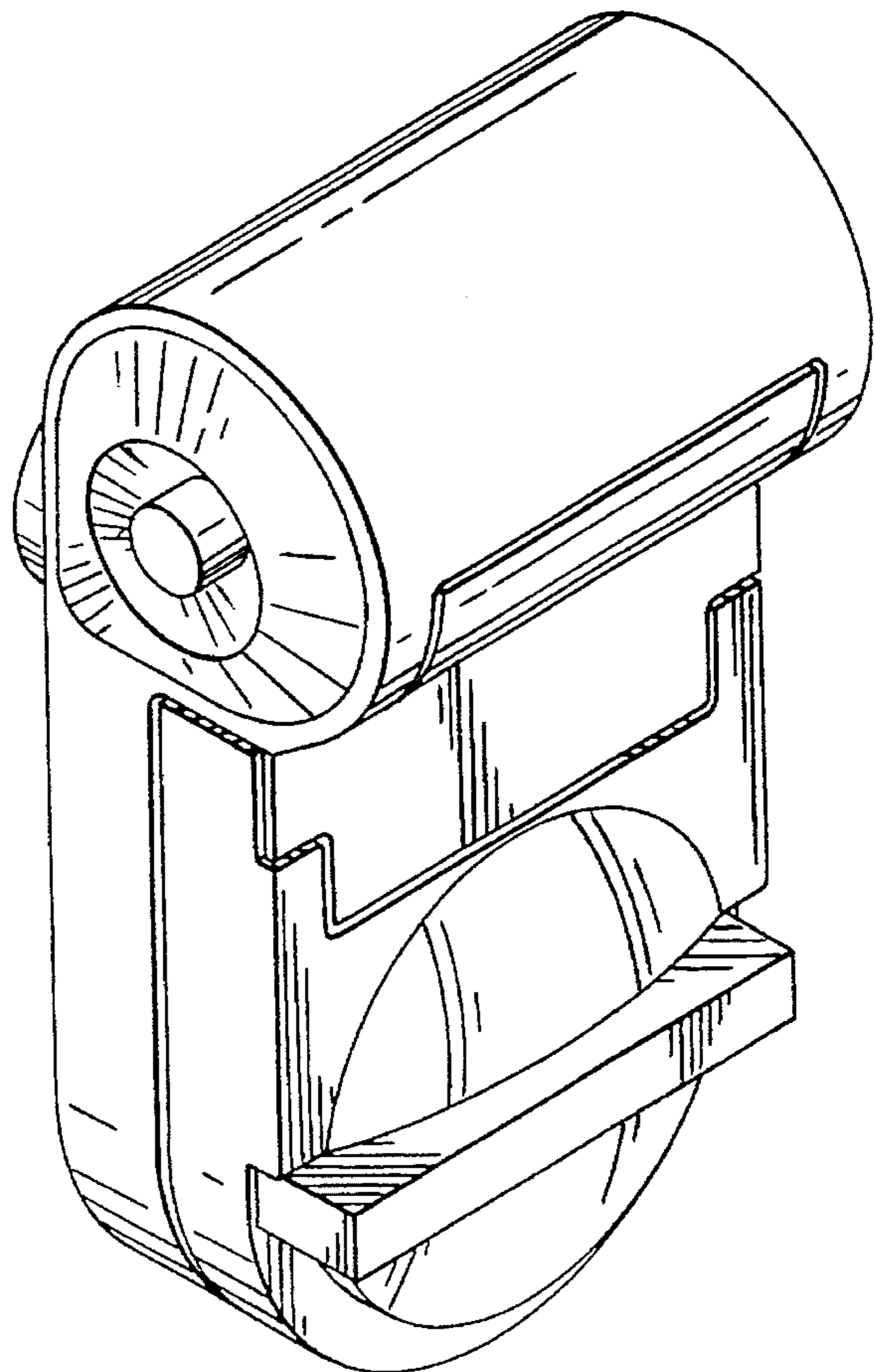
**1 Claim, 4 Drawing Sheets**



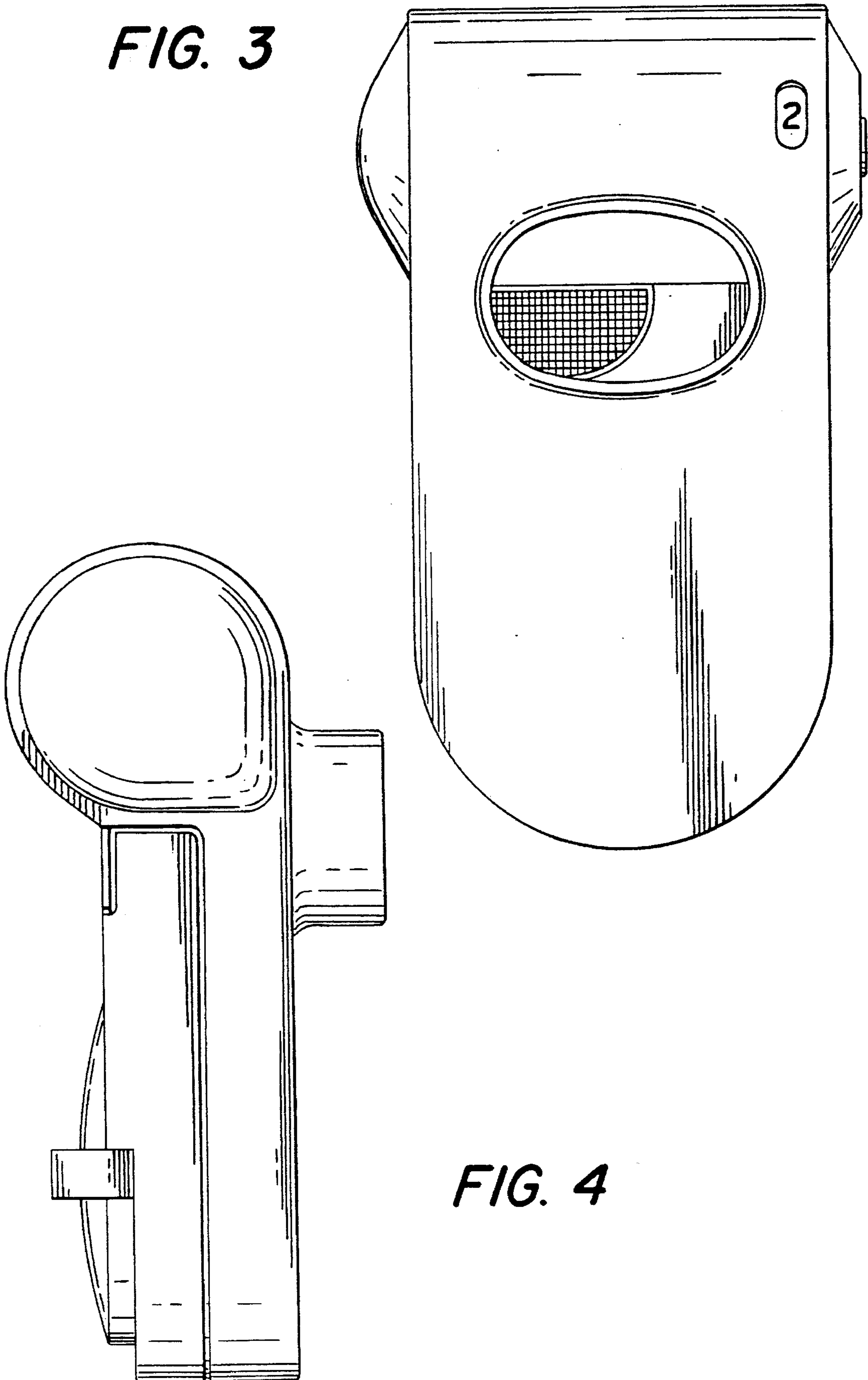
**FIG. 1**



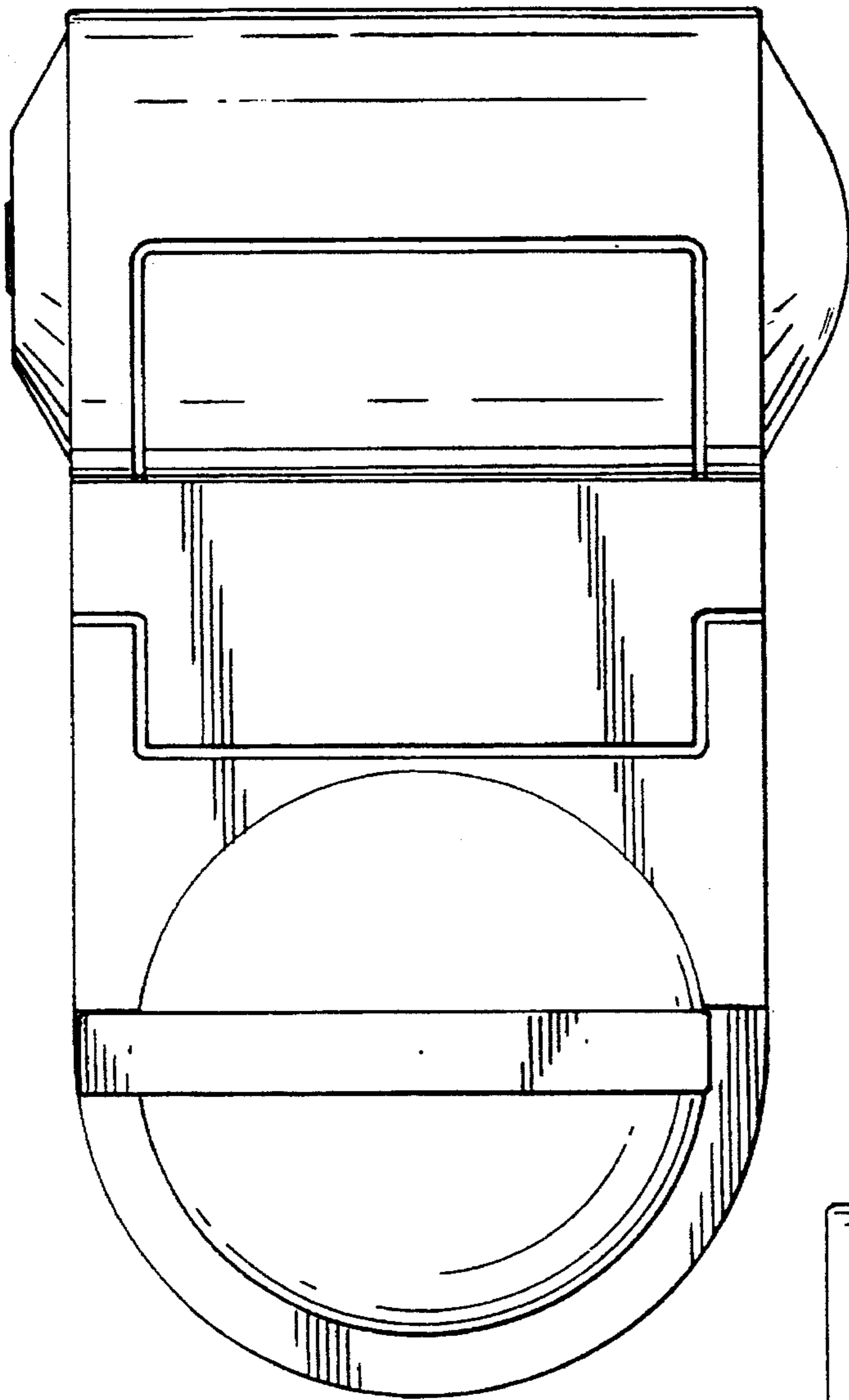
**FIG. 2**



**FIG. 3**

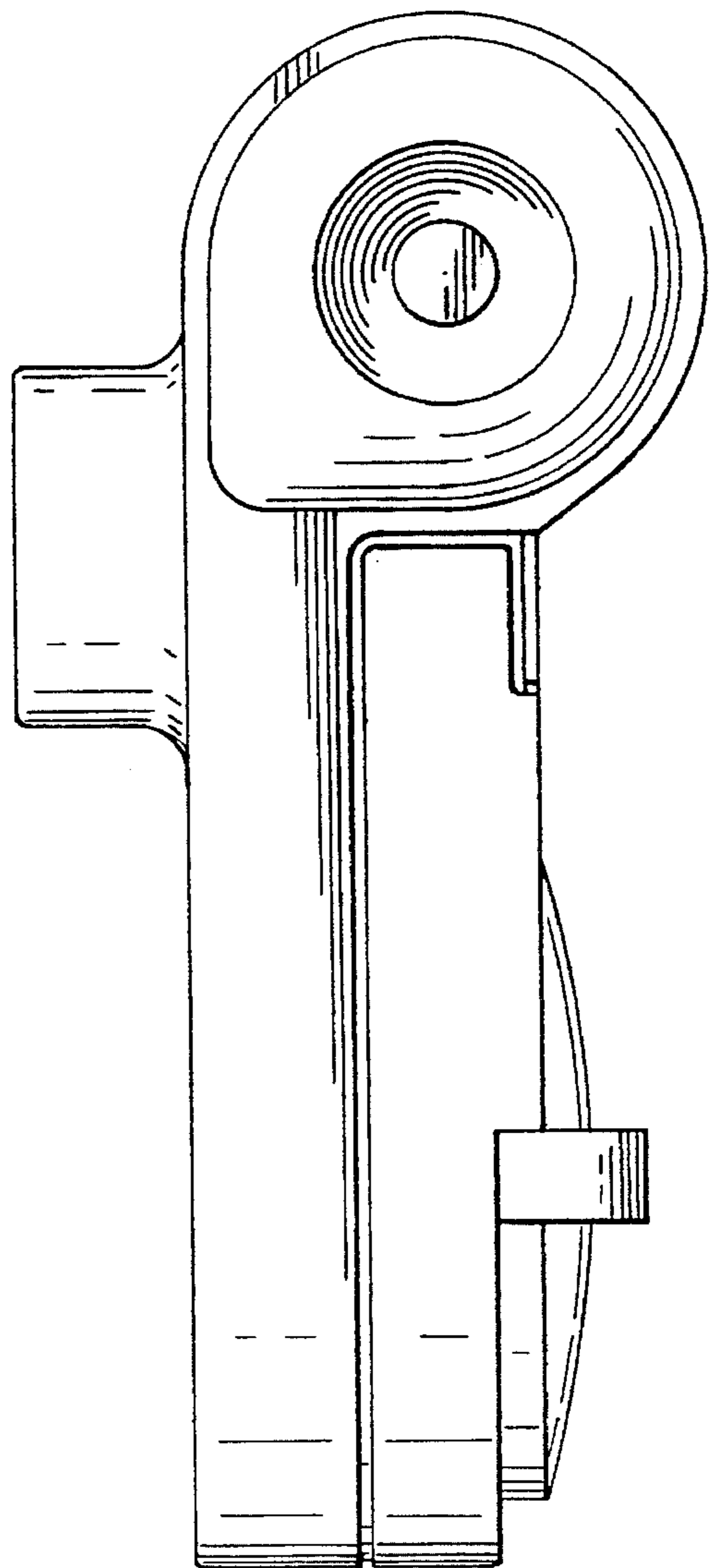


**FIG. 4**



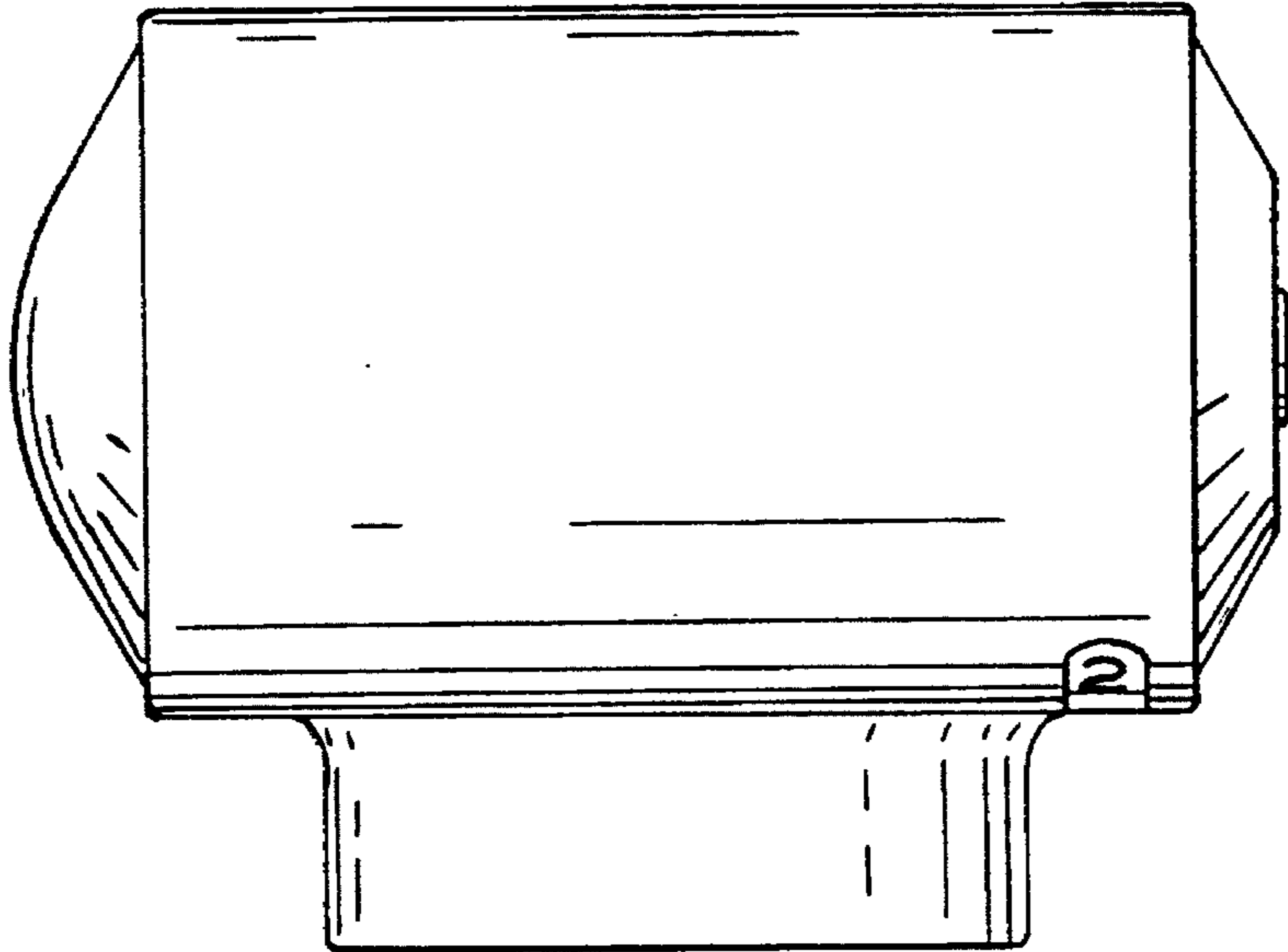
**FIG. 6**

**FIG. 5**

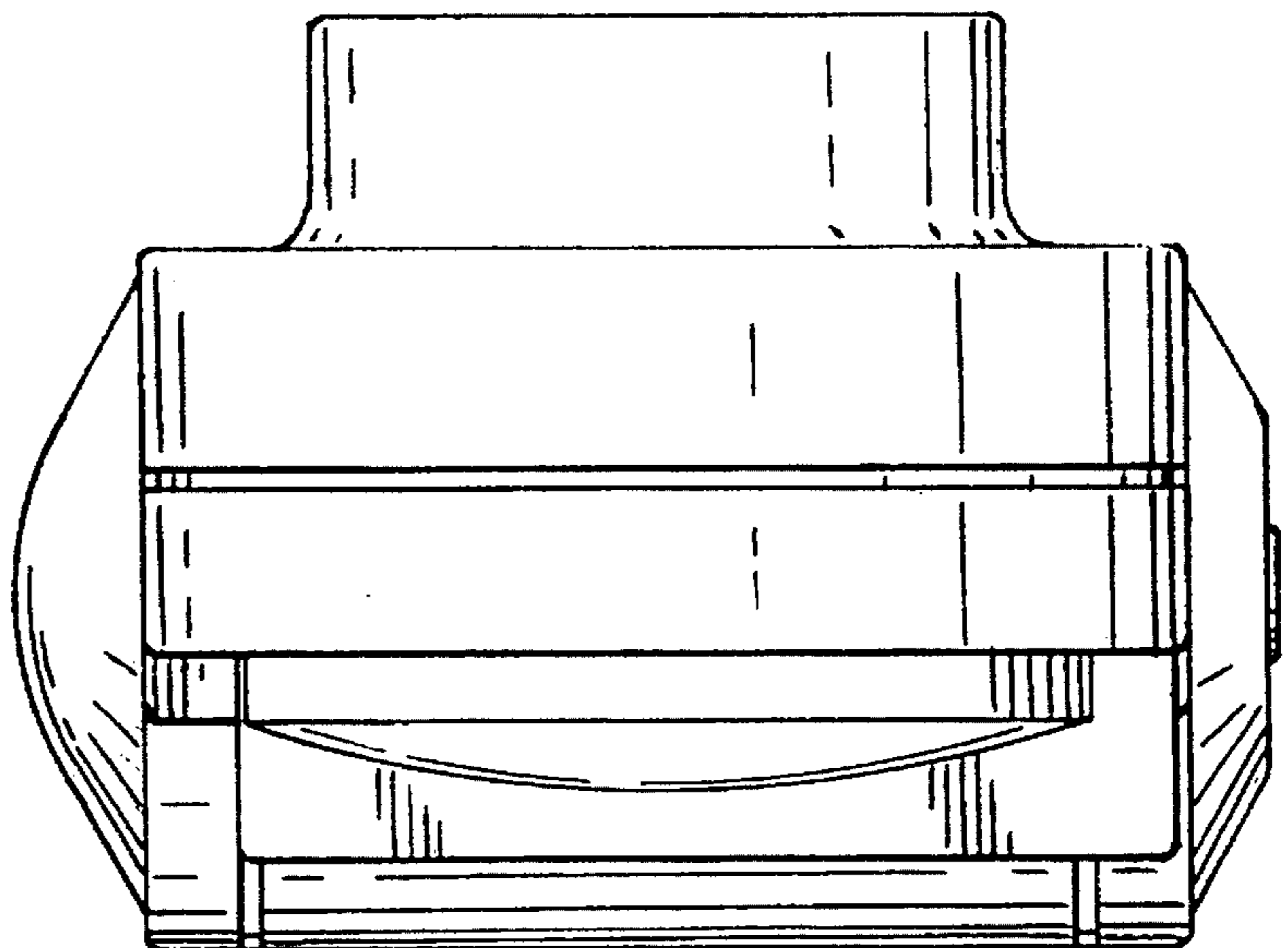




**FIG. 7**



**FIG. 8**



UNITED STATES PATENT AND TRADEMARK OFFICE  
CERTIFICATE OF CORRECTION

PATENT NO. : Des. 363,775  
DATED : October 31, 1995  
INVENTOR(S) : Michael A. Hobbs

It is certified that error appears in the above—identified patent and that said Letters Patent is hereby corrected as shown below:

TITLE PAGE

Please add the following information before "U.S. Cl.":

**--Foreign Application Priority Data**

December 23, 1993 [GB]    United Kingdom ....2036044 --

Signed and Sealed this  
Second Day of September, 1997

*Attest:*



BRUCE LEHMAN

*Attesting Officer*

*Commissioner of Patents and Trademarks*